

TouchIT Fusion Manual



Chapter 1

TouchIT Fusion

Inside the manual you will learn all about the
TouchIT Fusion Product Line.

For more information, please visit
www.touchittechnologies.com



Safety Instructions

IMPORTANT SAFETY INSTRUCTIONS

Please read these instructions carefully before using the product and keep them safe for future reference.

IMPORTANT SAFETY INSTRUCTIONS

1. Please read these instructions carefully before using the product and keep them safe for later reference.
2. Follow all warnings and instructions marked on the product.
3. Unplug this product from the wall outlet (power socket) before cleaning. Clean the product with a damp soft cloth. Do not use liquid or aerosol cleaners as it may cause permanent damage to the screen.
4. Caution of use varies from model to model; please observe appropriate operation as per model in use.
5. Do not place this product on an unstable cart, stand, or surface which may cause damage or harm to the product or individual.
6. Slots and openings on the cabinet, in the back cover or in the bottom, are for ventilation; to ensure reliable operation and to prevent from overheating, these openings must not be blocked or covered at any time. The openings should never be placed near or over a radiator, heat source, or placed in a built-in installation unless proper ventilation space (min. 2 inches/5cm of gap) is provided.

7. This product should be operated from the type of power indicated on the marking label. If you are not sure of the type of power available, consult your dealer or local service company.

8. This product is equipped with a 3-wire grounding type power plug, a plug having a third (grounding) pin. This plug will only fit into a grounding-type power outlet. This is a safety feature. If you do not have proper outlet to insert the plug, contact your electrician to replace your obsolete outlet. Do not break the ground pin and circumvent the grounding.

9. Do not allow anything to rest, or persons to walk on the power cord.

10. If an extension cord is used with this product, make sure that the total ampere rating plugged into the extension cord does not exceed the maximum ampere rating of the extension cord.

11. Never insert any object/tool of any kind through housing slots of this product as they may touch dangerous voltage points or short out components that could result in risk of fire or electric shock. Never spill liquid of any kind on the product (except IP-rated models).

12. Do not attempt to service this product yourself, always refer to qualified or authorized person for the servicing of this product.

13. Unplug this product from the wall outlet and contact a qualified service provider in the following circumstances:

When the power cord or plug is damaged, frayed or broken.

In the event that liquid has been spilled into the product (except IP-rated models).

Introduction

CHAPTER CONTENTS

2-1 About the Product

2-2 Notice

2-3 Check List

2-1 About the Product

The TouchIT Fusion is made of TFT LCD panel and microprocessor-controlled main board. It is designed to meet the demanding performance requirements of education/schools, public premises, corporate, and industrial applications.

2-2 Notice

1. Do not use any sharp object on the original LCD panel surface if the model is supplied without protective glass.
2. Do not use corrosive or abrasive detergents, waxes or solvents for cleaning. Use only a dry or damp cloth and use with clean water when cleaning.
3. Use qualified and safety-approved AC power cord only.

2-3 Check List

When opening the carton, please make sure that all the items listed below are present:

1. TouchIT Fusion ×1
 2. TouchIT Fusion Stand ×1
 3. Screw M6*L10mm ×6
 4. Audio cable×1(already plugged in TouchIT Fusion)
 5. DVI cable×1(already plugged in TouchIT Fusion)
 6. VGA cable (male-to-male) ×1
 7. Power cord(male-to-female) ×1(already plugged in TouchIT Fusion)
 8. Power cord ×1
 9. USB cable ×1 (already plugged in TouchIT Fusion)
 10. Remote control ×1, battery included
3. HDMI-to-DVI adapter (optional)

If any items are missing or damaged, please contact your dealer immediately.

The following items are optional:

1. VGA cable (male-to-female) (optional) for VGA out application
2. RS232 to RS485 adapter (optional)

Installing the TouchIT Fusion

POWER AND SIGNAL CONNECTIONS

3-1-1. Lock the wheels in place

3-1-2. Connecting the power cord to the AC inlet.

3-1-3. Attaching the LCD Monitor

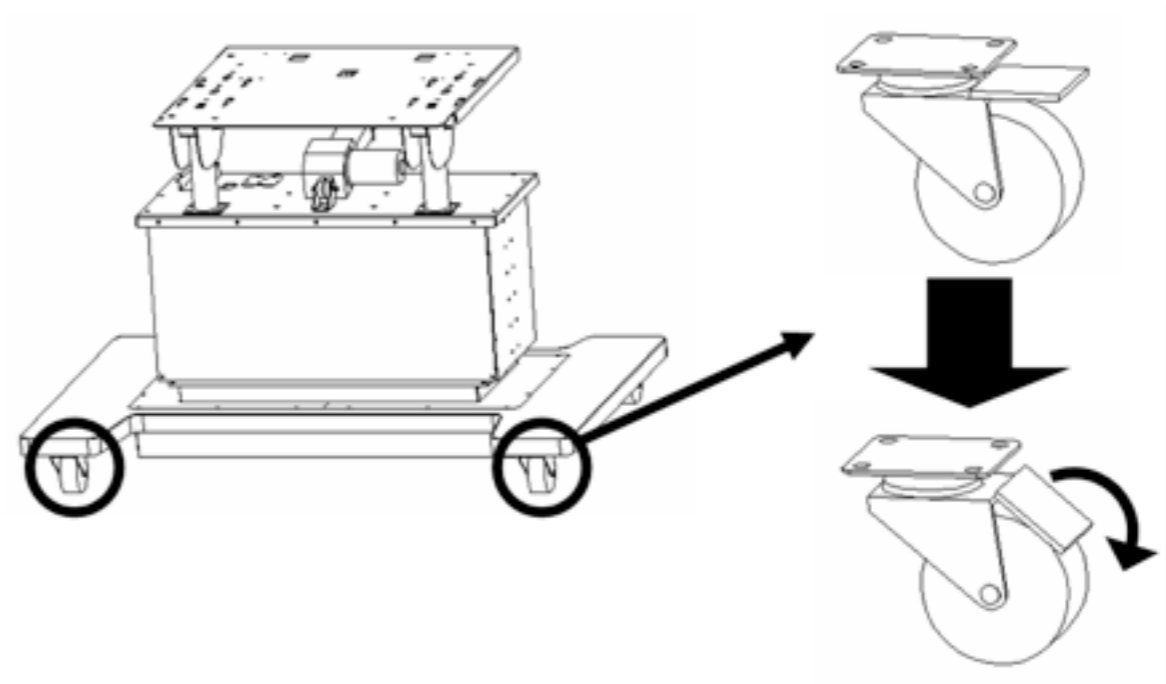
3-1-4. Securing the LCD Monitor in position.

3-1-5. Connecting the TouchIT Fusion to an AC Outlet

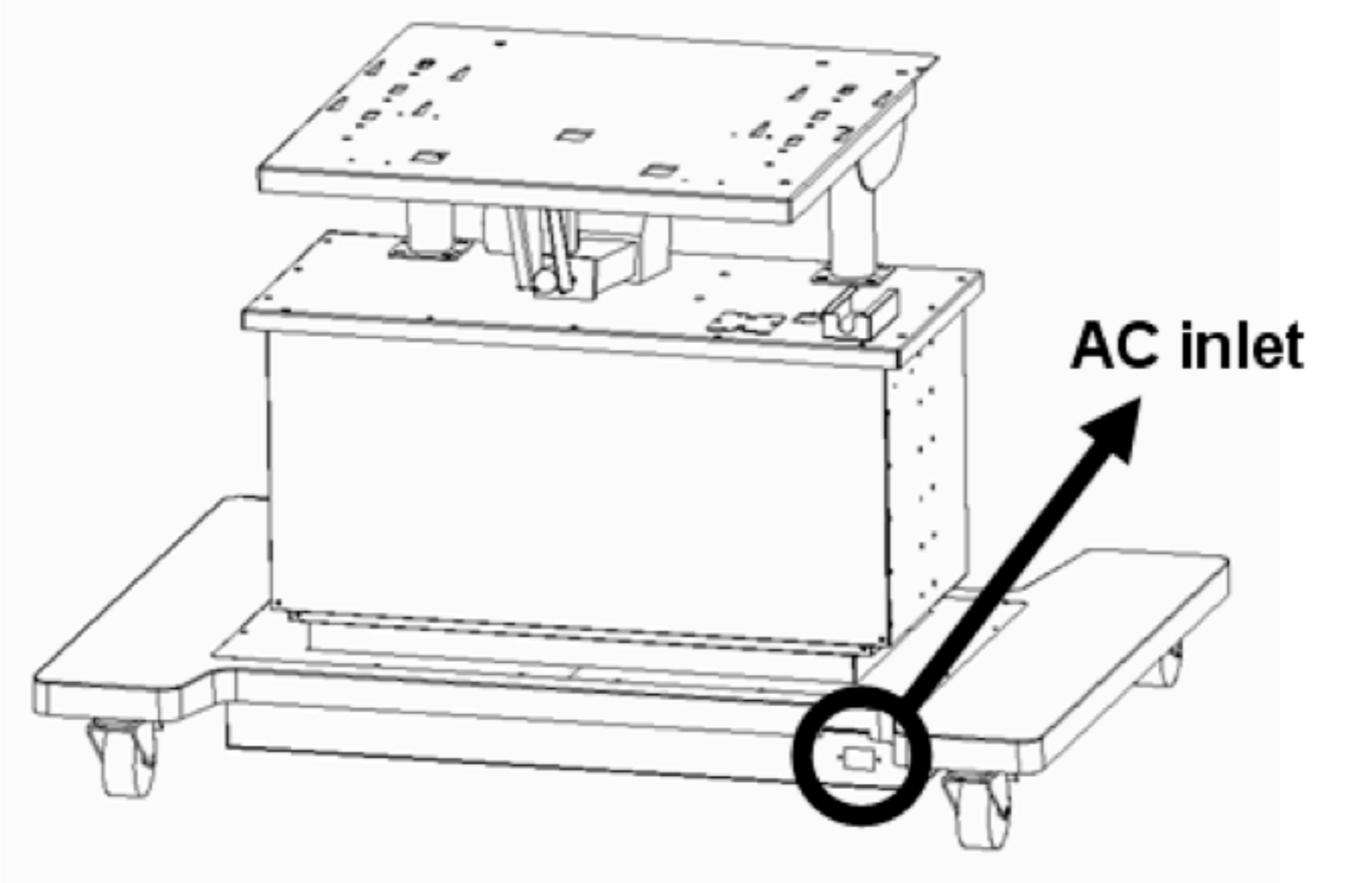
3-1 Installing the TouchIT Fusion

The TouchIT Fusion comes with the Operating System, and the software pre-installed. The LCD Monitor needs to be attached to the motorized trolley. This is a simple and straight forward process.

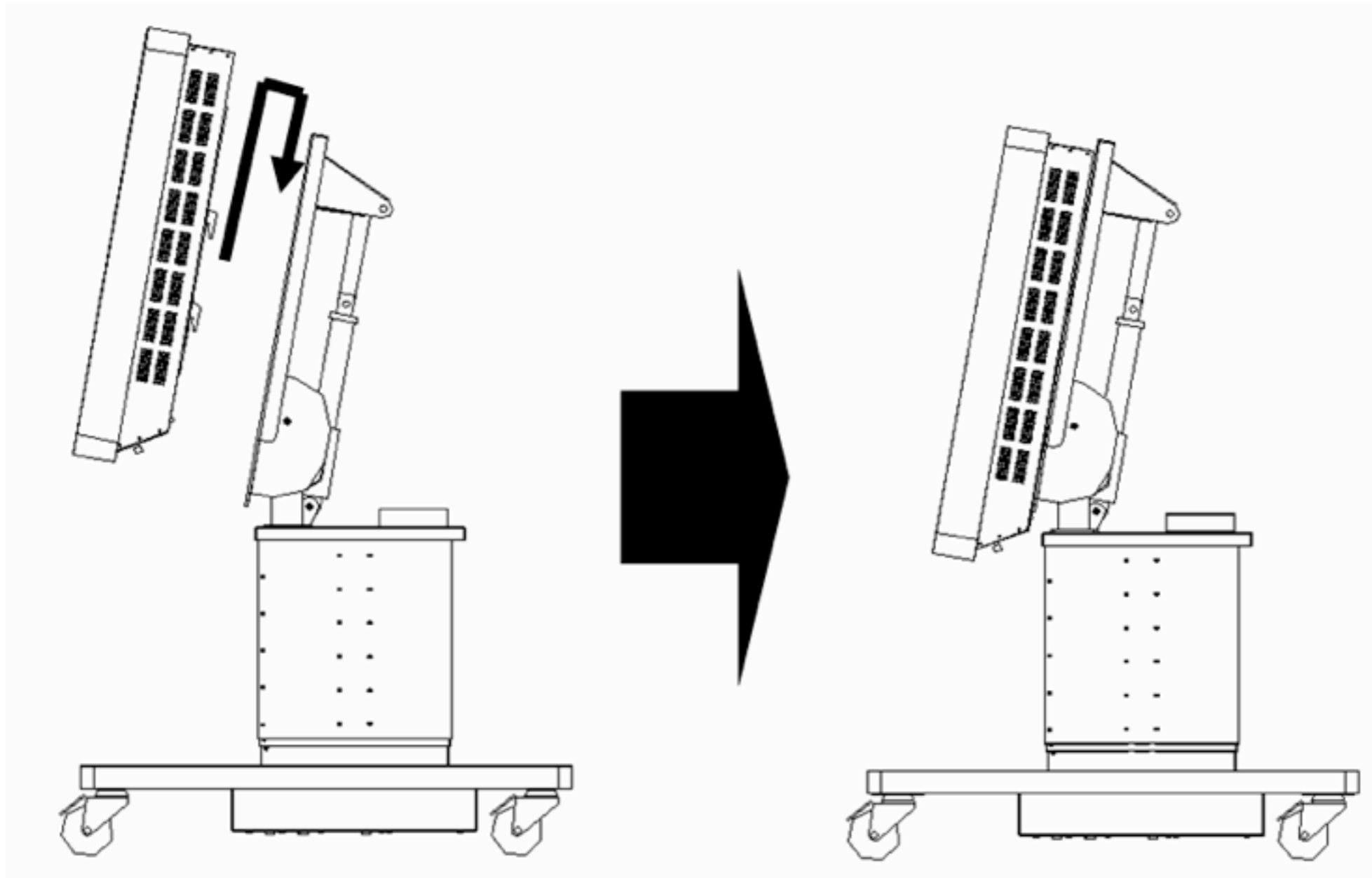
3-1-1. Lock the wheels in place by pressing down on the break.



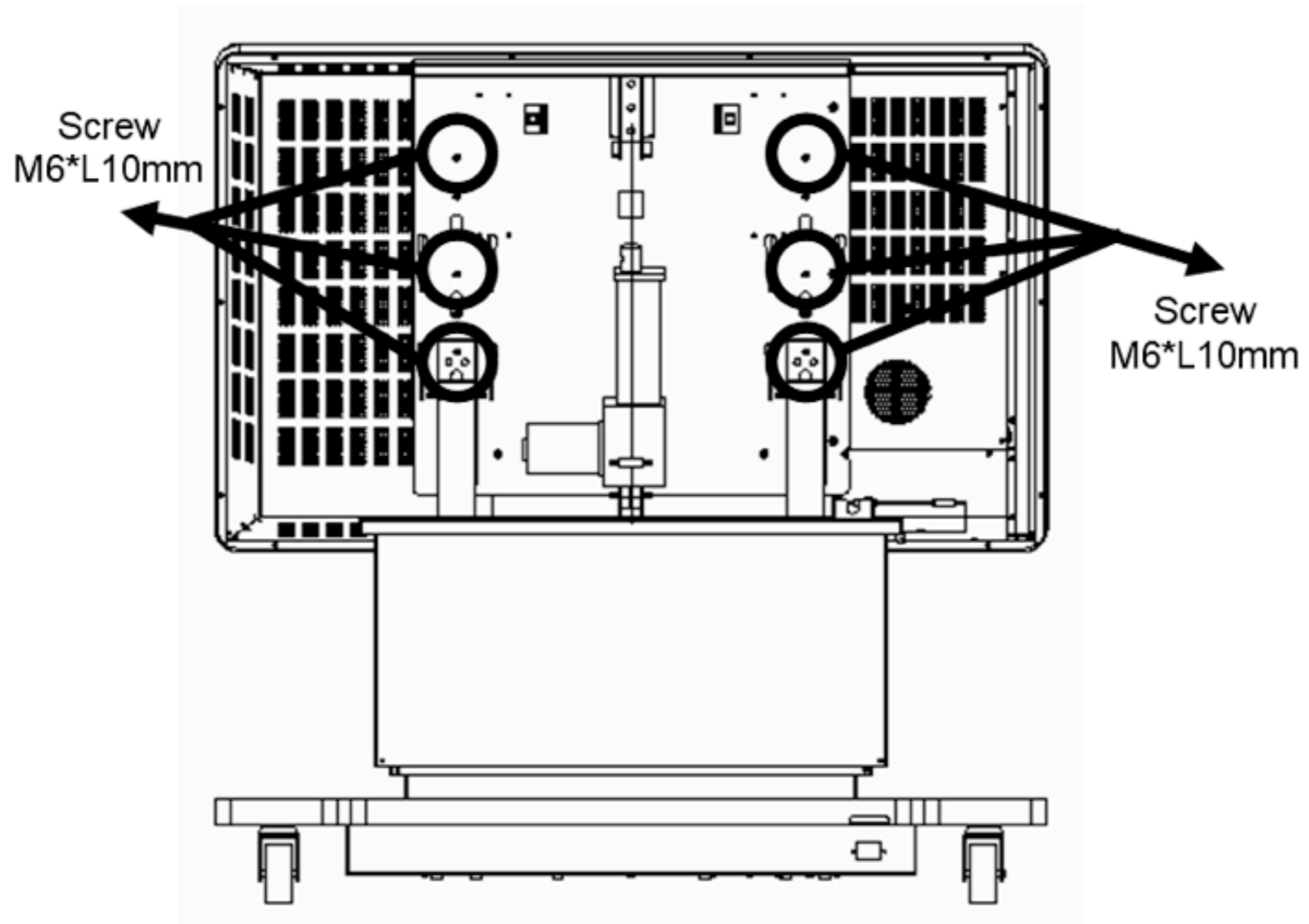
3-1-2. Connecting the power cord to the AC inlet.



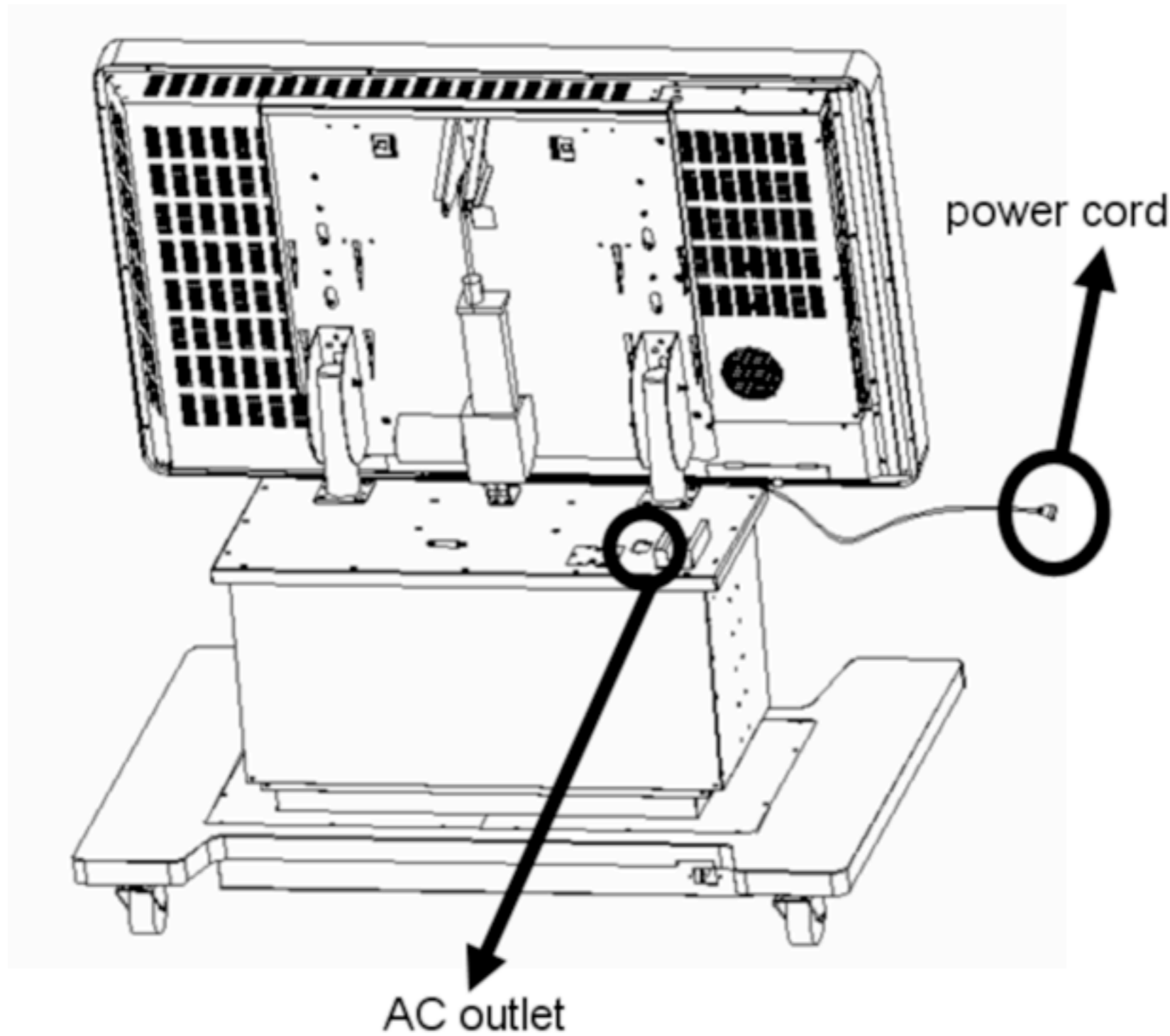
3-1-3. Slowly lower the LCD Monitor onto the hanging brackets that are on the motorized trolley. See diagram below.



3-1-4. Secure the LCD in position with the 6 fastening bolts (M6*L10mm), see hole locations on the diagram below.



3-1-5. Connecting the power cord with TouchIT Fusion to the AC outlet.



Using the TouchIT Fusion

USING THE LCD

4-1 Get to know the LCD

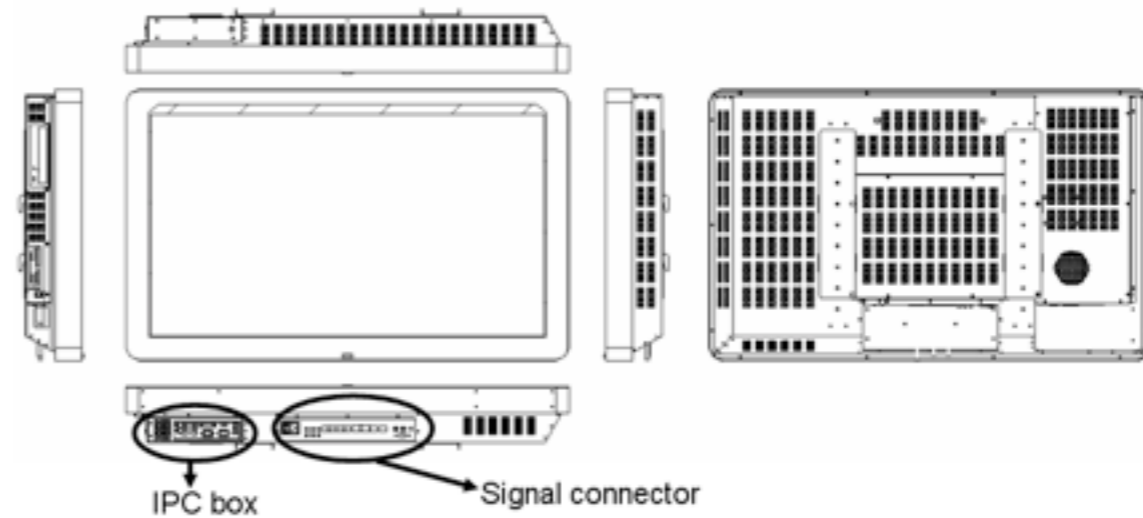
4-2 Connector ports

4-3 Remote Control

4-4 Understanding the OSD Menu (with Remote control)

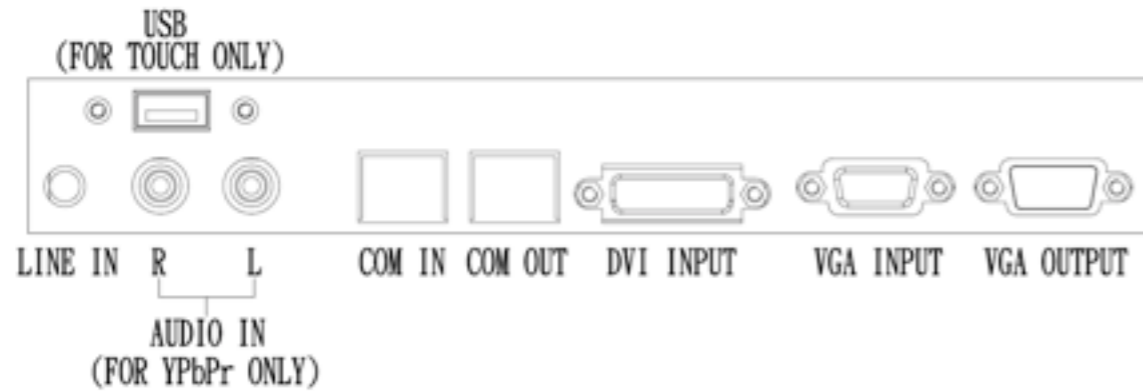
4-1 Get to know the monitor

The Monitor connectors are located on the rear side. They are shown in the physical monitor as per the figure below and described in the following paragraphs. Please note that connectors may vary in some derivative models, please refer to individual model for special instructions.

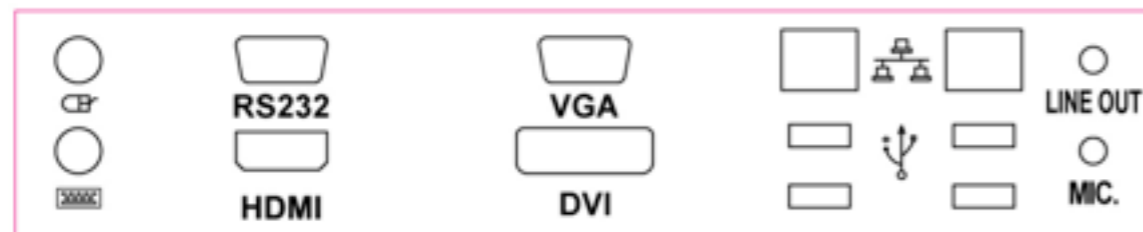


4-2 Connector ports

The Figure below depicts the signal connectors on the main board.



The Figure below depicts the IPC box on the TouchIT Fusion.



4-3 Remote Control

The remote control is shown in the drawing below.



Size: 110 x 44 x 22mm

Operation distance: > 10 meter

Working angle: not more then +/- 40 degree

4-4 Understanding the OSD Menu (with Remote control)

a. Power on/off

Press the power button to turn on/off the monitor.

b. Auto

Press this button to auto-adjust and optimize picture screen of the monitor.

c. Brightness button

Press this button to quick-access brightness control only to turn brightness up or down.

d. Menu

Press the Menu button to go into OSD menu.

e. Exit function

Press Exit button to exit setting, or, exit OSD menu. Alternatively, press “Menu” button to exit OSD Menu instantly at any time.

f. Select function for adjustment

Press the (▲/▼) button to scroll up and down the intended function items for adjustment, and then press the Enter button to activate that function item.

g. Adjust the function item setting

Press the Enter button to enter the sub-menu and press the (▲/▼) button to adjust the value of setting. Once you adjust the value of setting, the value will be memorized instantly.

h. DVI

Press this button to enter DVI signal source.

i. VGA

Press this button to enter VGA signal source. Source default is at VGA source.

j. Aux

Reserved for alternative use.(HDMI 1 / HDMI 2 /YPBPR)

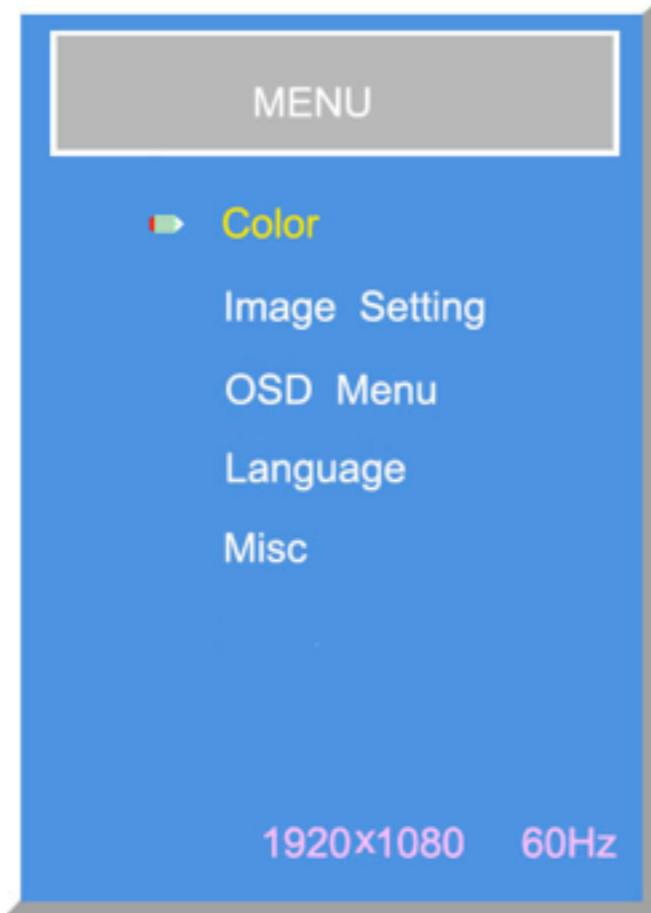
k. Mute

Press this button to mute or un-mute.

l. Info

Press to show timing and resolution

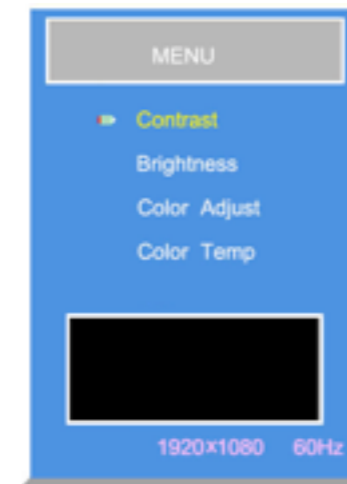
4-4 Content of OSD Menu



Press "▲" to increase or "▼" to select.

Press "↵" to enter

Color



Press "▲" to increase or "▼" to select.

Press "↵" to enter

CONTRAST: Use to adjust the screen's contrast



BRIGHTNESS: Use to adjust the screen's brightness



Color Adjust



Press “←” to enter sub menu



Adjust: Use to set the RGB gain

Color Temp



9300K: Use to set value of monitor for the CIE coordinate 9300 color temp.

6500K: Use to set value of monitor for the CIE coordinate 6500 color temp.

5800K: Use to set value of monitor for the CIE coordinate 5800 color temp.

sRGB: Standard RGB color space created by Microsoft and HP

USER: Color temperature created by user.

Image Setting



Press "▲" to increase or "▼" to select.

Press "↵" to enter

Clock



Press "▲" to increase or "▼" to decrease.

Use to adjust timing of signal to best adapt to LCD panel pixel rate

Phase



Press "▲" to increase or "▼" to decrease.

Use to fine-tune video noise to achieve a clearer picture

Sharpness



Press "▲" or "▼" to select

Use to fine-tune the legibility of fine graphic/word .

Position

Use to set the Image's position.



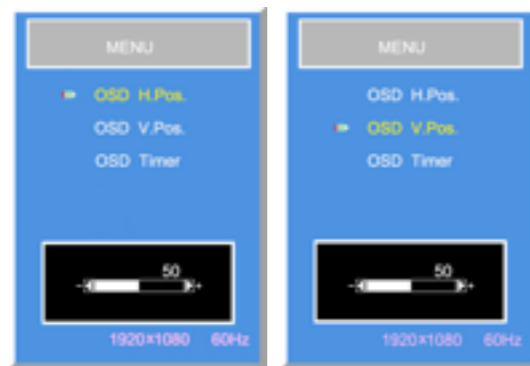
Press "enter" to select and "▲" to increase or "▼" to decrease.

H-POSITION: Use to adjust the image to the left or right on the screen

V-POSITION: Use to adjust the image to the up or down on the screen

OSD Menu

Use to set the OSD at your preference.



Press "enter" and "▲" or "▼" to select, and to move the OSD position in horizontal, or, vertical direction.

OSD H.Pos. OSD V.Pos



OSD Timer

Use to set the time of OSD on screen. Value 0 the OSD will always display.

Language

Use to select different languages (max. 7 languages) for OSD Menu.



Misc.

Light Sensor ON/ OFF: to switch ambient light sensor on or off



Reset: to go back to previous setting.



Signal source: Choose input source of VGA / DVI / HDMI 1 / HDMI 2 / YPbpr



FW VERSION: to check F/W version of Monitor



Auto Color: to Auto adjust Color (under source D-Sub only)



Care and Maintenance

CARE AND MAINTENANCE

Cleaning the LCD Monitor

Disclaimer

Troubleshooting

Cleaning the LCD Monitor

1. Make sure the monitor is turned off.
2. Never spray or pour any liquid directly onto the screen or casing
3. Do not use chemical solvents or alcohol to clean the unit or screen. It may cause permanent damage to the device.
4. Use a clean, soft, lint-free cloth, or apply a small amount of non-ammonia, non-alcohol based glass cleaner to achieve the best results.

Disclaimer





The manufacturer assumes no responsibility, and will not be liable of any damage resulting from non-conforming safety actions, operation, or cleaning of this product.

Troubleshooting


Before calling for assistance, please try following these simple steps to check your TouchIT Fusion:


Symptoms and Checks

1. No picture


-  Check if the signal cable is firmly located in the socket.
-  Check if the Power is ON at the computer
-  Check if the brightness control is at the appropriate position and not at the minimum.
-  Check the state of the monitor and that it is powered on and the LED of power is GREEN. Unplug the VGA cable and plug it in again.


2. The screen is not synchronized

-  Check the LED light and if it indicates red, the device is in power off status. Use the remote and press “Power” to turn the power on.


-  Use the “Auto” key on the remote control to automatically adjust the monitor timing scan.

-  Check if the signal cable is firmly located in the socket.


-  Make sure the signal timings of the computer system are within the specification of the monitor.

-  If your computer was working with a CRT monitor, you should check the current signal timing and turn off your computer before you connect the VGA Cable to this monitor.


3. The picture is not centered

-  Adjust the H-position, and V-position, or Perform the Auto adjustment.

5. The screen is flickering

-  Press the “Auto” - adjustment control by remote control or OSD to adjust.

Check nearby devices such as a motor or transformer, which generate magnetic fields and move them away from the monitor. Check if the specified voltage is being applied.

 Check if the signal timing of signal source is within the specifications of the monitor. If you are unable to correct the fault by following this check list, stop using your monitor and contact your distributor or dealer for further assistance.

