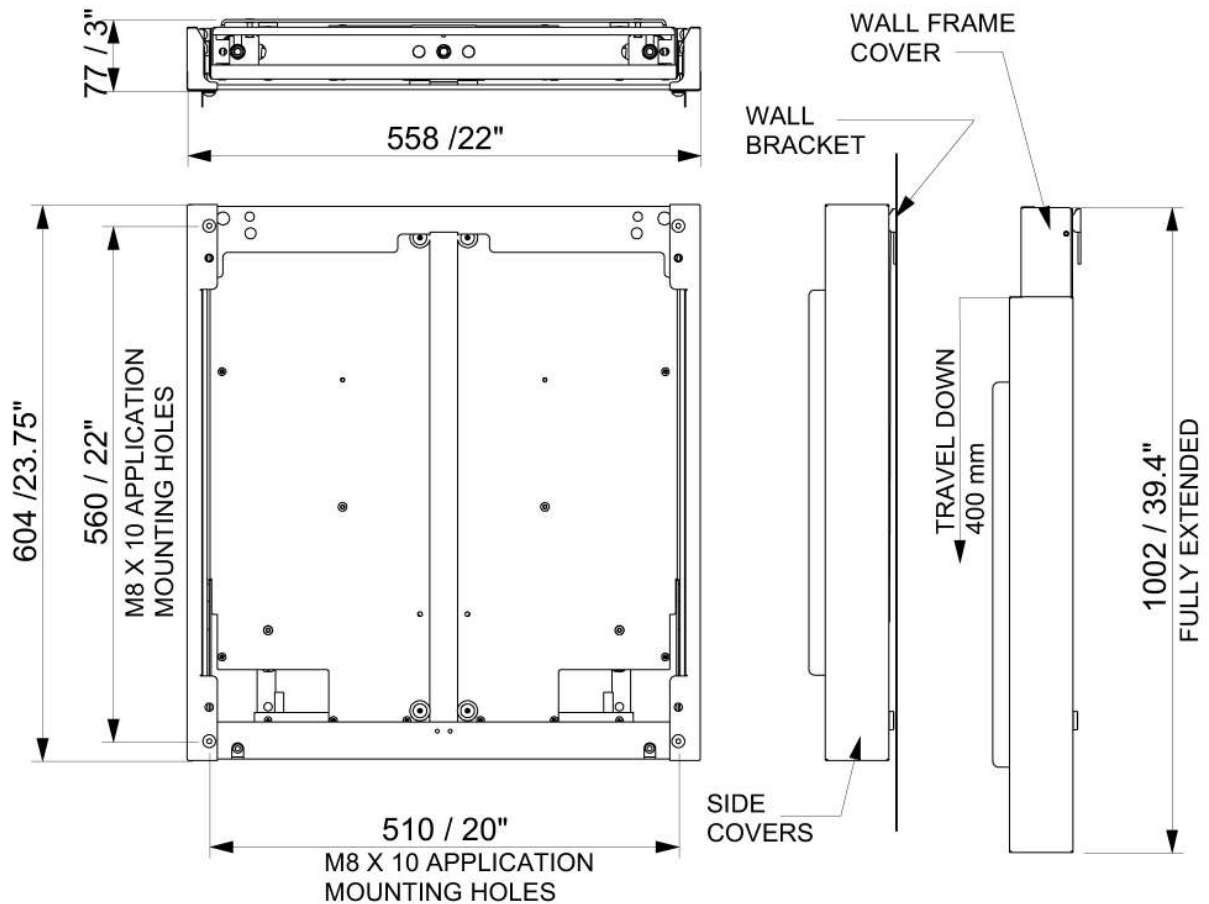


## BalanceBox® 400

Product datasheet

Dimensions:

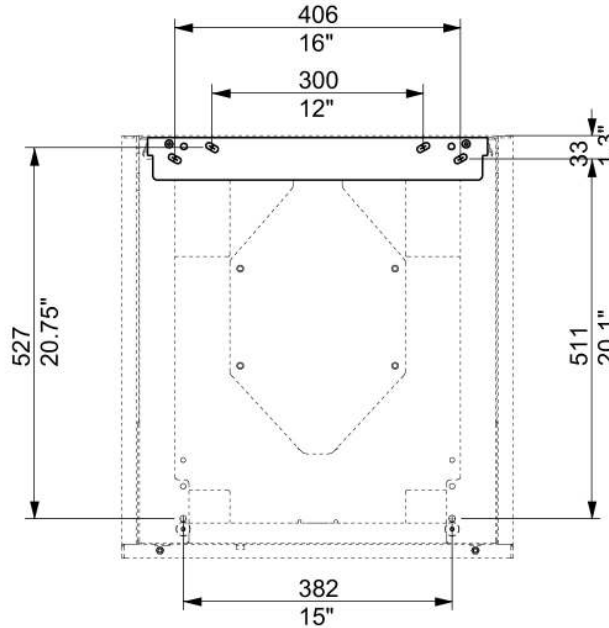


Included in the package:  
Balancebox 400 and multi-language manual  
Wall mounting bracket  
Brushed stainless steel wall frame cover and m3,5 fasteners.  
2 Side covers white

Not included (required for installation):  
13 mm hex socket  
Flatscreen mounting interface / VESA bracket for Balancebox 400  
Fasteners for wall mounting (depending on the situation)

For screen weights from 91 Kg (200 Lbs) – 175 Kg (385 Lbs) please choose **BalanceBox® 650**

Mounting hole dimensions from the back of the product:



### BalanceBox® 400 Selection guide by screen weight

metric			US / imperial			Order nr.	Choose BalanceBox®	Accessory for mounting	
from	to	units	from	to	units				
<20		kg	<44		lbs		n.a.		
20	38	kg	44	83,6	lbs	480A03	BalanceBox® 400-40	481A21	Flatscreen Mounting Interface
38	66	kg	83,6	145,2	lbs	480A02	BalanceBox® 400-70	481A21	Flatscreen Mounting Interface
66	90	kg	145,2	198	lbs	480A04	BalanceBox® 400-90	481A21	Flatscreen Mounting Interface
>91		kg	>200		lbs		Choose BalanceBox® 650		

### Part numbers

Balancebox 400	Description	weight range
<b>480A03</b>	Balancebox 400-40	23-43 kg (50.6-94.6 lbs)
<b>480A02</b>	Balancebox 400-70	41-70 kg (90.2-154 lbs)
<b>480A04</b>	Balancebox 400-90	66-95 kg (145.2-209 lbs)
Accessories for Balancebox 400		product weight
<b>481A21</b>	Balancebox 400 Flatscreen mounting interface	4,2 kg (9.2 lbs)
<b>481A17</b>	Balancebox 400 Floor support	8 kg (17.6 lbs)
<b>481A34</b>	Balancebox 400 Universal Tilt Frame 60° (available 01-01-2014)	25 kg (55 lbs)
<b>481A31</b>	Balancebox 400 Mobile stand	38 kg (83.6 lbs)

Weights & dimensions	Width mm	Height mm	Depth mm	Weight kg	Width inch	Height inch	Depth inch	Weight lbs
Shipping dimensions	610	655	95	22,5	24	25.75	3.75	49.5
Product dimensions	558	600	74	22	22	23.6	2.9	48.5
Material	Steel frame, zinc plated for corrosion resistance, stainless steel brushed wall frame cover							