

Diversitrack Assembly Manual



Diversitrack™
a moving classroom experience

Track Technology Systems, Inc.

www.diversitrack.com

**REVISED
2015**

Thank you for purchasing Diversitrack, the industry's FIRST commercially produced classroom track system for multiple brands of interactive whiteboards. We want to ensure that your experience with Diversitrack is nothing short of stellar! We have earned many glowing testimonials on the function and performance of our Diversitrack system and we would appreciate any feedback that would enable us to provide the best products and service. Please visit our web site at www.diversitrack.com/contact.php and fill out the contact form with any feedback you would like to give.

This manual will provide you with step-by-step instructions on how to install the Diversitrack System. If you need assistance with installation, please contact sales@diversitrack.com or at the office phone: **317-841-3722**.

1	Introduction	
	General Mounting Guidelines	4
	Hardware Included	5
	Carriage Upright	6
	Track Frame Layed Out	7
2	Installation	
	Installing Rollers	8
	Cross Connector Assembly	9
	Attaching Clips	10
	Preparing for Tracks Installation	11
	Aligning Assembled Frame	12
	Upper Right Track Installation	13
	Positioning of Bottom Track	14
	Lower Right Track Installation	15
	Level Checking	16
	Connecting Tracks	17
3	Configuration	
	Completing installation	18
	Optional Accessories	19
	Coiled Cable Accessory	20
	XL Roller Kit	21
4	Product Disclaimer	22
	Product Warranty	23
	Detailed Drawings	24-27

Tools

Pictured to the right are the basic tools required for Diversitrack installation:

- **Level**
- **Two 11/16" wrenches**
- **7/16" wrench**
- **Phillips screwdriver**

If available, ratcheting socket wrenches will expedite assembly.

Wall Fasteners

Because of the various wall mounting surfaces, fasteners and/or anchors and inserts are not included to mount tracks to wall.

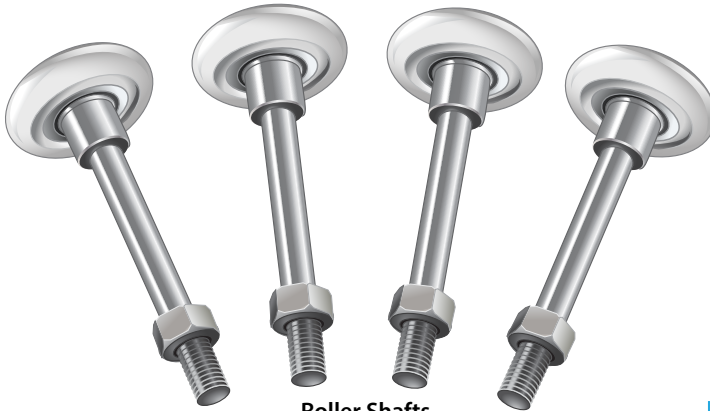
We suggest the following:

- Dry Wall - molly anchor or toggle bolt
- Dry Wall/metal stud - fine thread sheet metal screw
- Cinder block/brick - Tapcon screw

<http://www.buildextapcon.com/concreteAnchor.asp>



Rollers



Roller Shafts



Washers

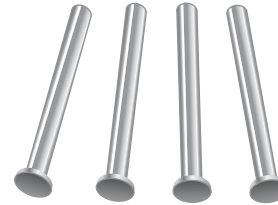


Acorn Nuts

Smaller Parts



Machine Screws



Pins



Hex Nuts

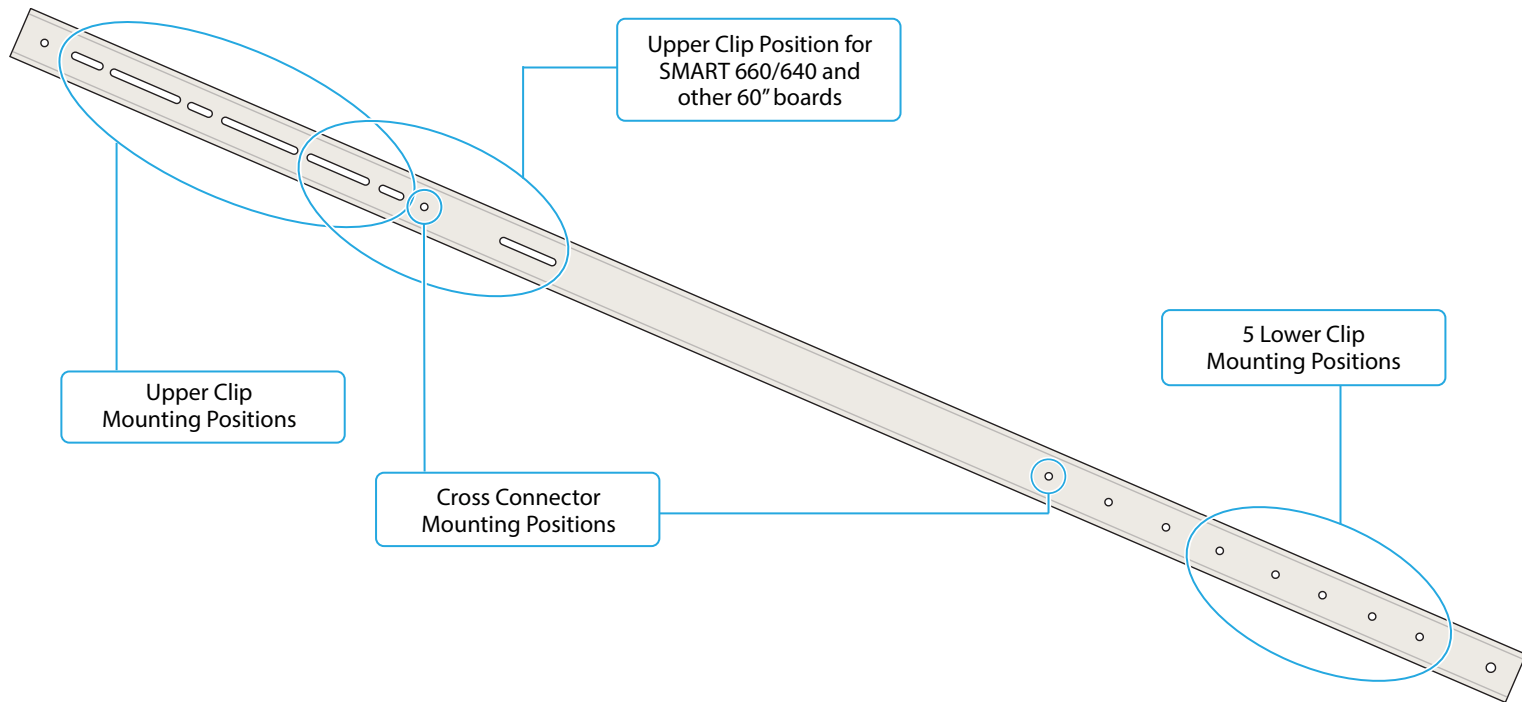


Carriage Bolts

Please Help Us Improve This Manual

We would be very interested to hear any comments you might have on our installation manual. We are particularly interested in learning of mistakes or omissions and aspects that are unclear. Please call, fax, or e-mail and direct your comments to Kevin Burkett. Thank you very much for your assistance.

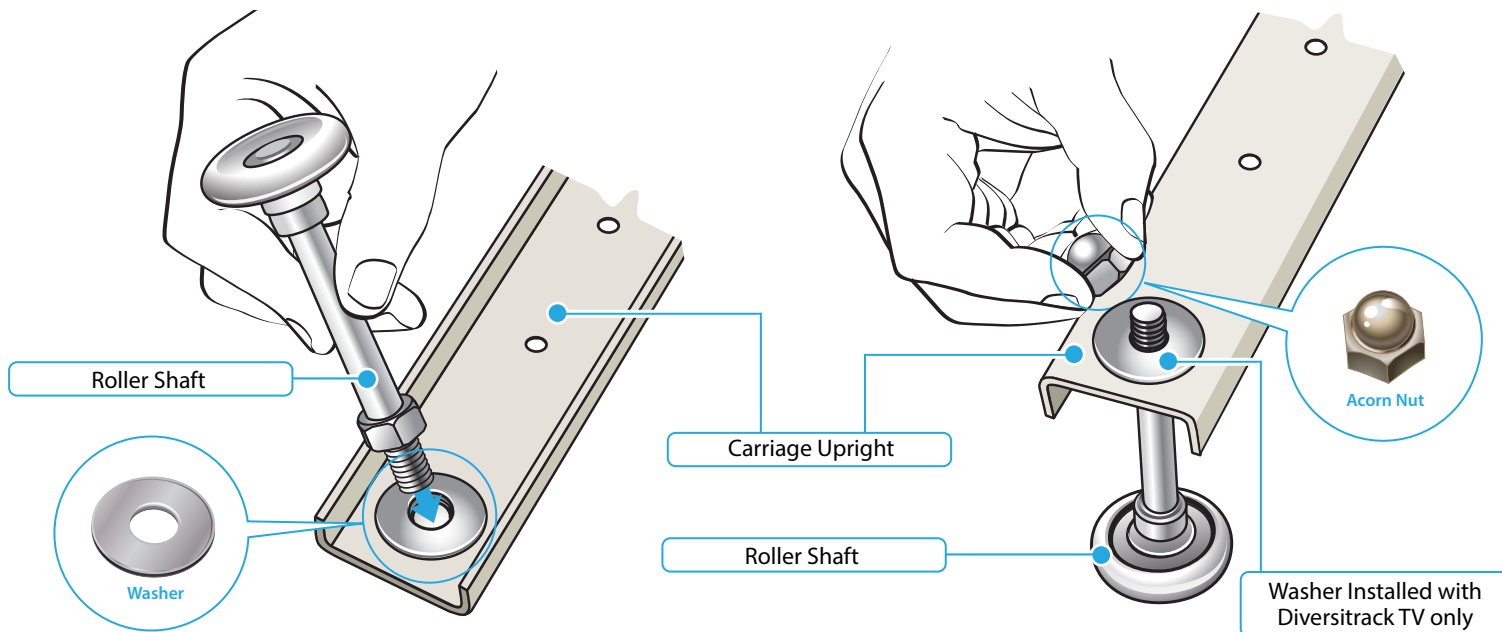
Toll Free in U.S.: 1-800-995-3177
 Tel: 317-841-3722 • Fax: 317-841-0155
 e-mail: sales@diversitrack.com



STEP 1 Install hex nut onto roller shaft and tighten.

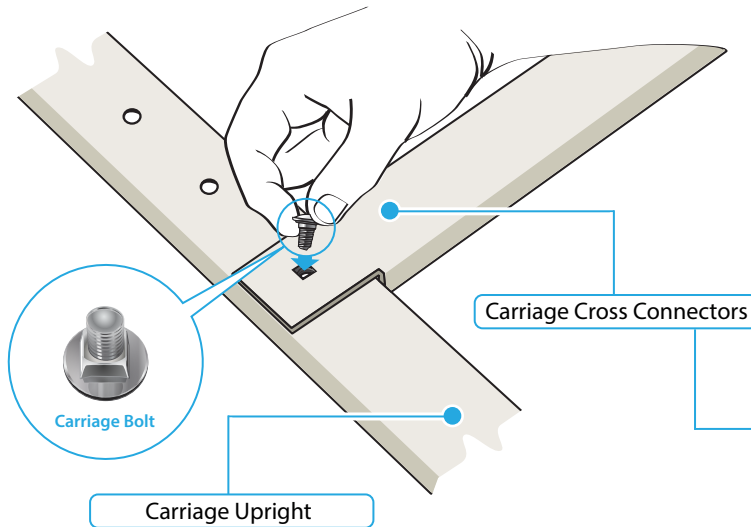
STEP 2 From the UNDER side of Carriage Upright, add washer and insert roller shaft into hole.

STEP 3 Turn Carriage Upright over to front side, add 2nd washer (Diversitrack TV only) and install acorn nut and tighten.

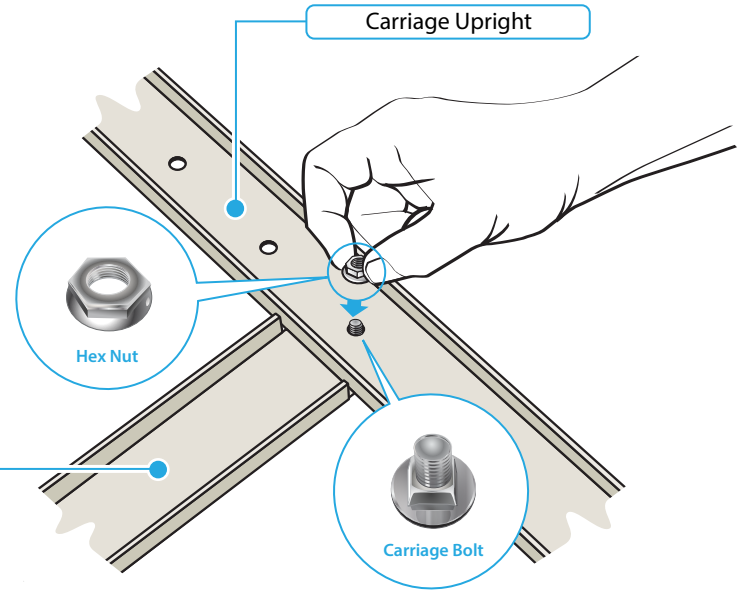


REPEAT ABOVE PROCEDURES FOR ALL FOUR CORNERS.

- STEP 1** Attach end of Cross Connector with provided carriage bolt and nut. Insert carriage bolt from the front side.



- STEP 2** From underside of Carriage Upright install serrated hex nut and tighten.

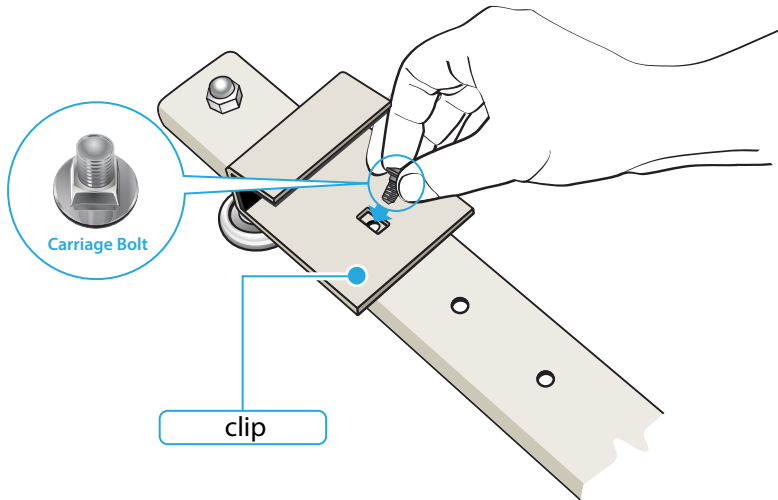


REPEAT ABOVE PROCEDURES FOR ALL FOUR CORNERS.

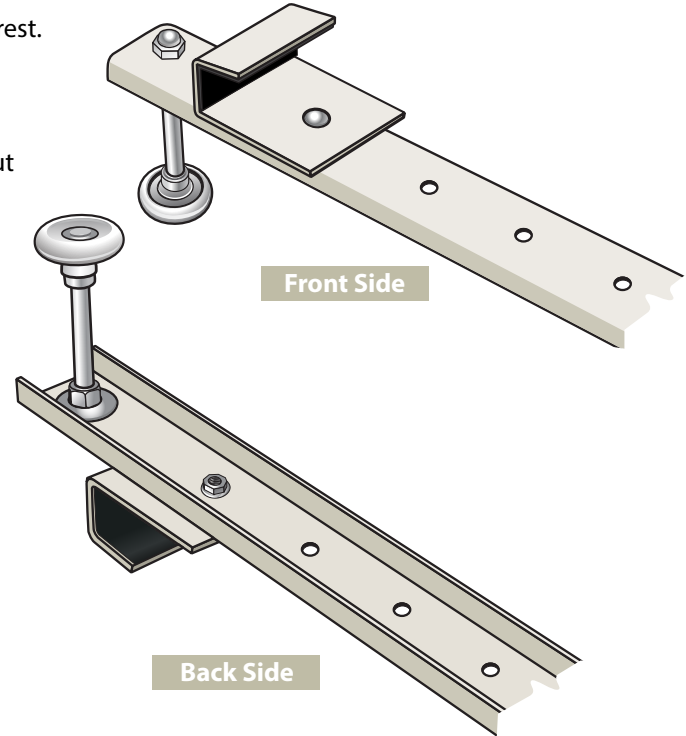
Clip Installation:

FOR NOW, only install TWO clips at adjacent corners. This will be the bottom of the frame into which your interactive whiteboard will rest.

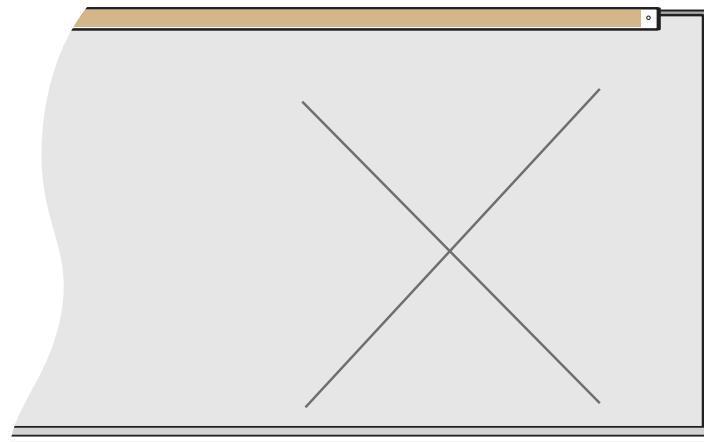
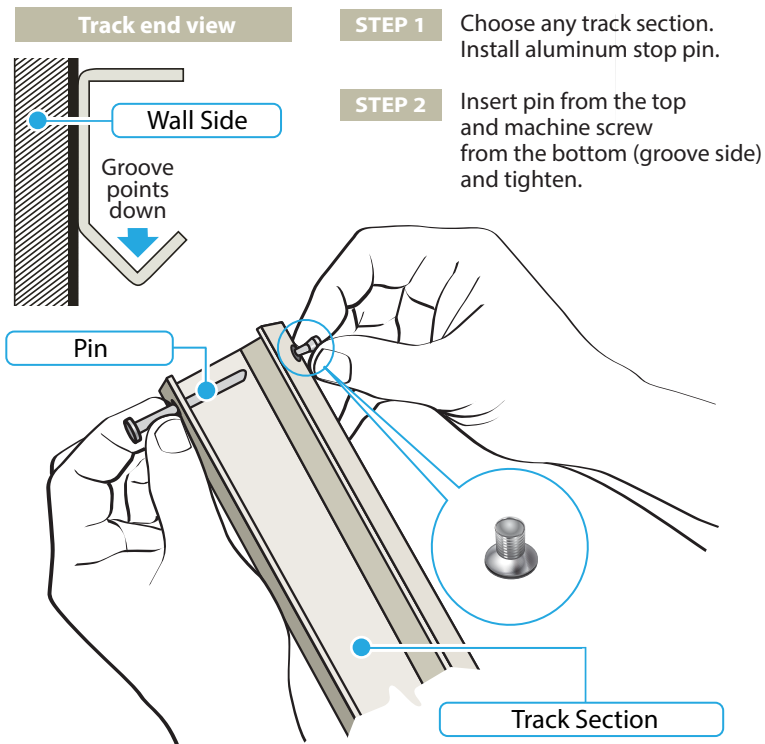
- STEP 1** Attach each clip with provided carriage bolt and nut.
- STEP 2** Insert carriage bolt from the front side.
- STEP 3** From underside of Carriage Upright install serrated hex nut and **ONLY FINGER-TIGHTEN** for now.



A Completed Corner!



Preparation for Diversitrack Track Section Installation.



- STEP 3** At the point of installation, mark the target of your projected image space where you wish your interactive white board to be used.

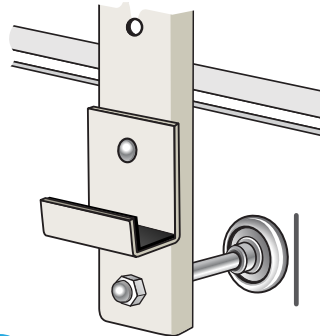
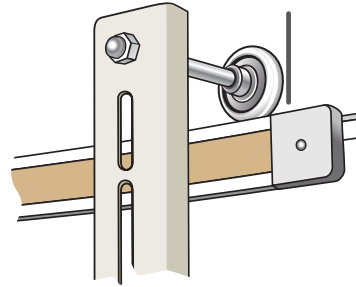
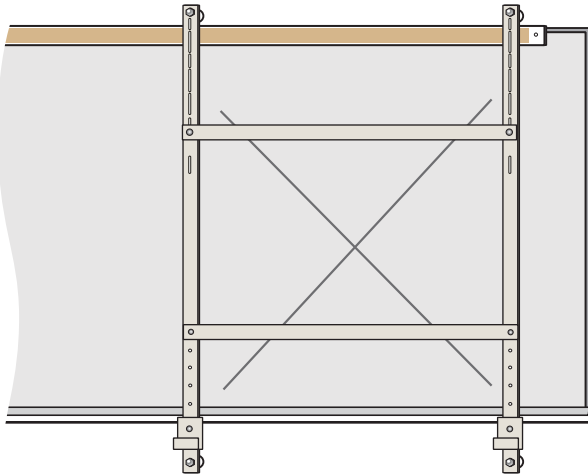


NOTE: in this example, we have chosen a *left-hand slide*. Simply reverse this if you want **Diversitrack** to slide out of the way to the right.

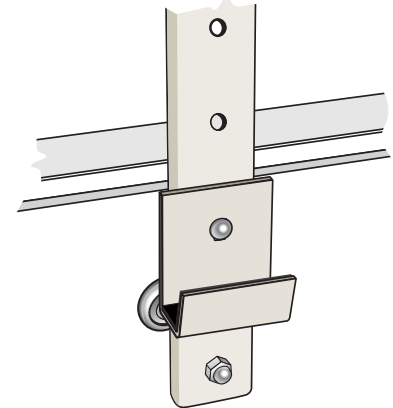
STEP 1 Locate your assembled Diversitrack frame and trial-fit/rest the top rollers on the top frame of your dry erase or chalk board.

STEP 2 Position the frame as close as possible to the center of your projected image space.

**Mark your lines
on this side
for a *left-hand* slide.**



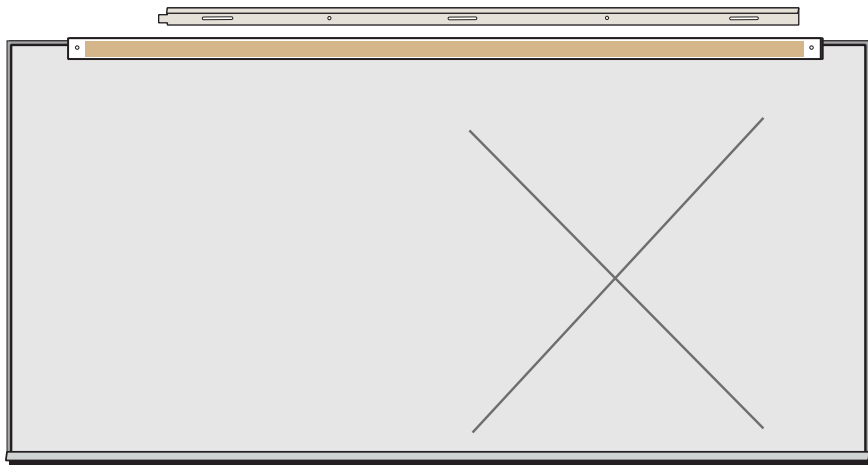
STEP 3 While holding the frame assembly still, strike a line at the edge of the rollers at top and bottom. This will be the end position of your track sections.



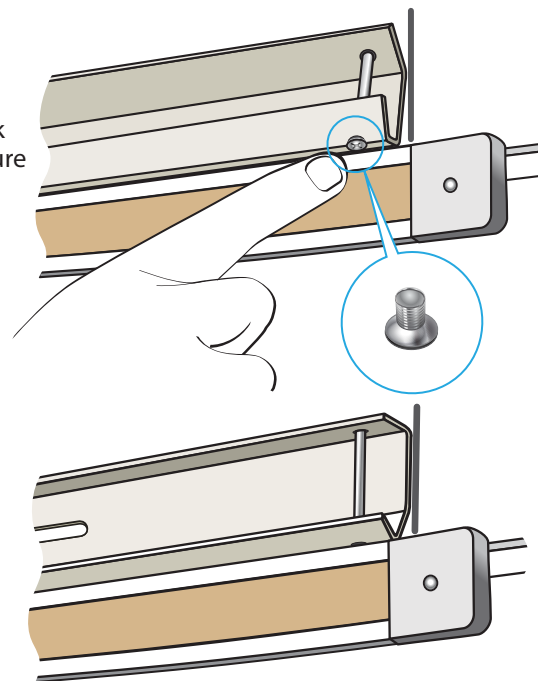
IMPORTANT: During this trial-fit, note the distance between the bottom of your chalk tray and the bottom of the Diversitrack clip where your interactive board will rest. Keep this in mind for your next steps and desired track positioning.

STEP 1 Remove the frame and set it aside. You are now ready to attach the upper right track section.

STEP 2 If you choose to mount Diversitrack up higher, as depicted here, be sure to use two or more identical shims to properly position and make sure it is level.

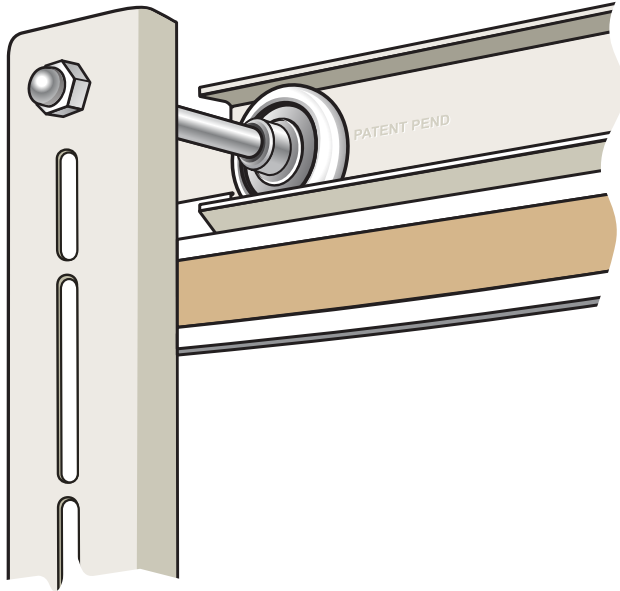


STEP 3 If instead you install it resting on the top of your existing dry erase or chalk board frame, first make sure the stop pin is installed.

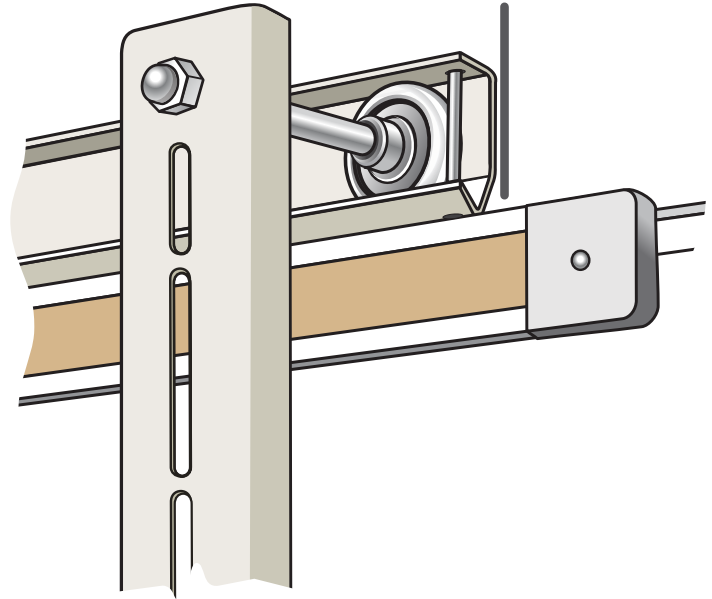


In either case, position the end of the track with your line and fasten securely using your choice of fasteners appropriate for your environment.

STEP 1 Once again, locate your frame assembly and slide the top two rollers into the upper right track from the side/open end.



STEP 2 Now slide the frame assembly all the way over and against the stop pin. This will assist in our next step, positioning the first bottom track section.

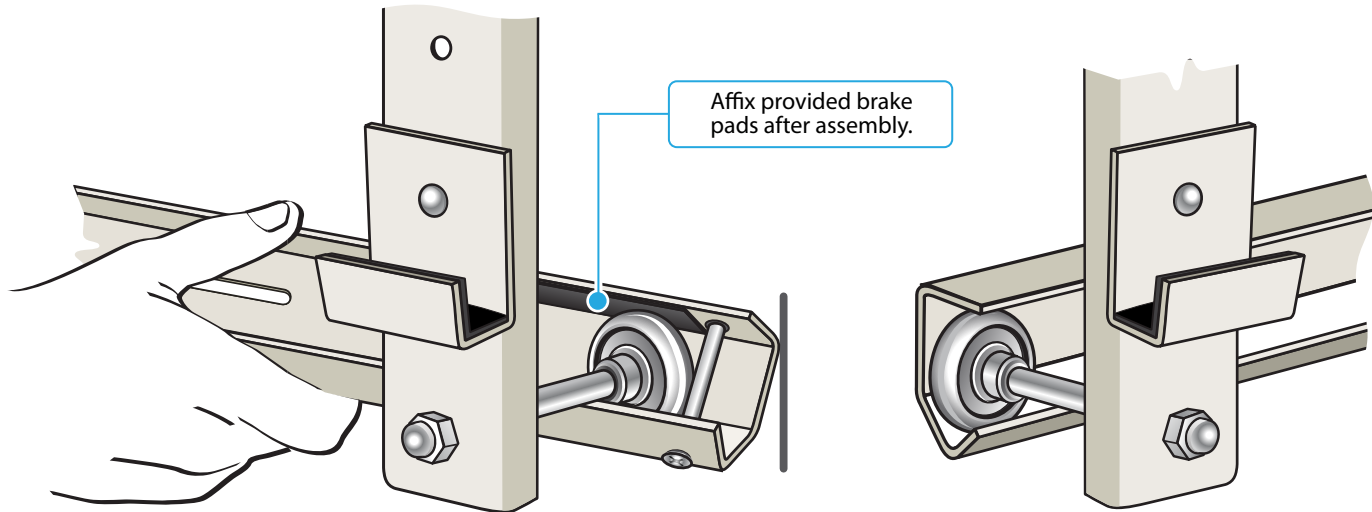


STEP 1 Now install the LOWER right track section. Locate another track section and be sure to install the stop pin.

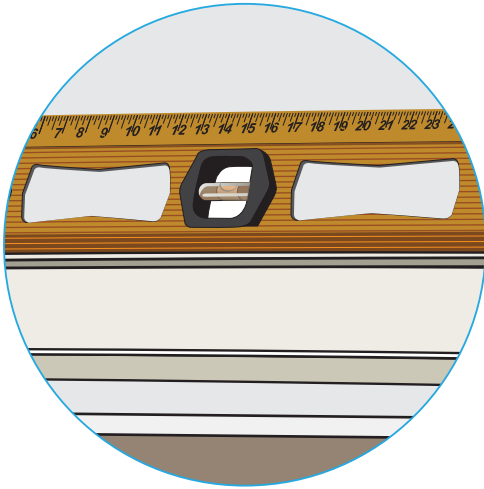
STEP 2 While holding this section at an angle, slip the bottom rollers into the groove and position the track section against the wall making sure the end lines up with our mark.

STEP 3 In all cases, be sure that after installing a track section that the rollers make contact with the bottom groove!

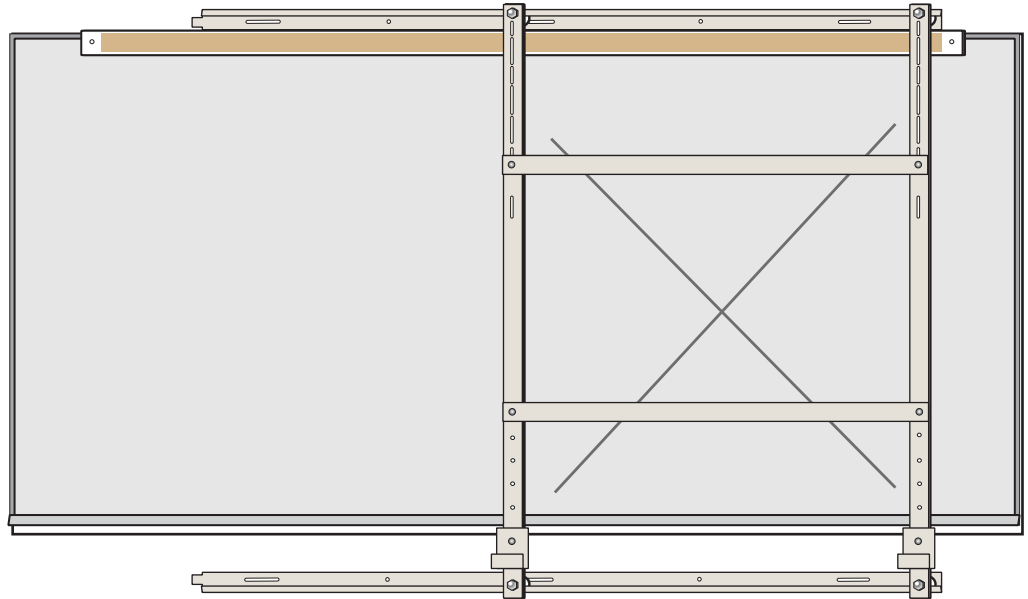
STEP 4 You will want to double check the top as well and may want to get a helping hand to hold the frame firmly in place while doing so.



- STEP 1** Check that this track section is level and fasten to your wall.



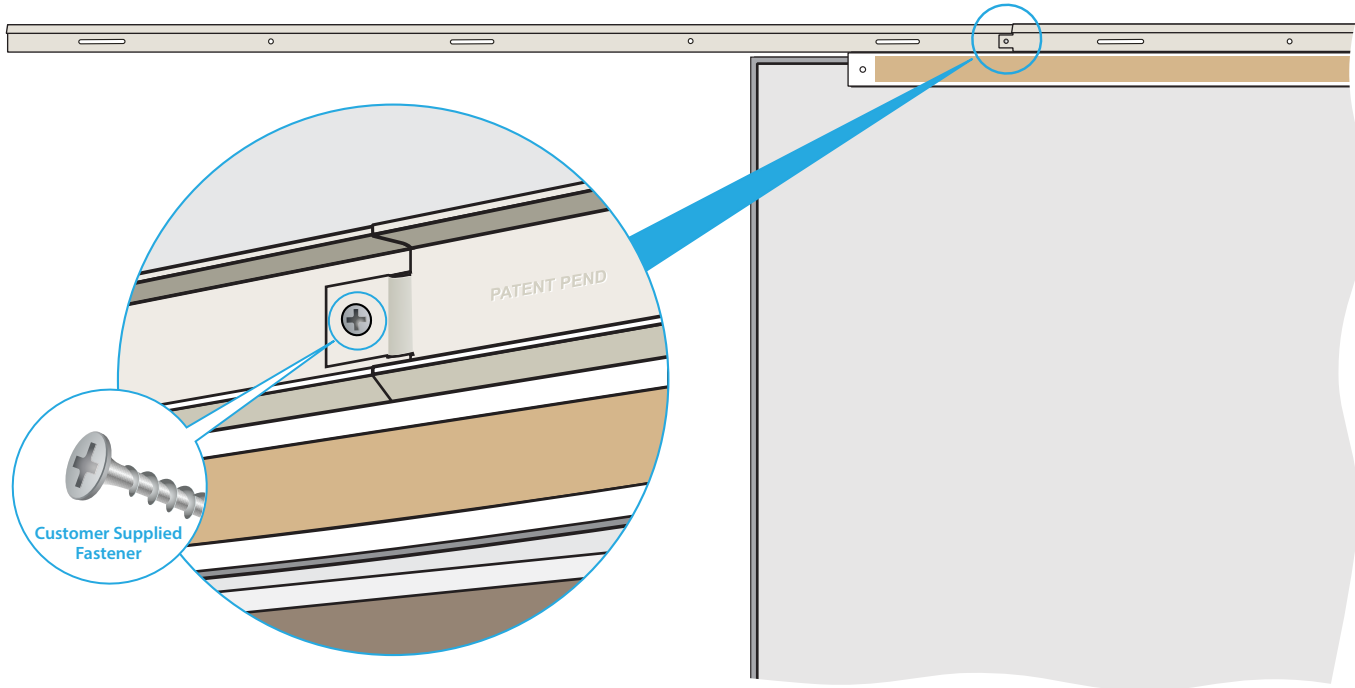
- STEP 2** With your first two track sections in place, move the frame side to side to be sure it slides effortlessly.



Next, complete the installation of the two left track sections.

In our example below, our dry erase board doesn't extend to the left as far as a normal classroom.

We again used a level to assure proper placement. Simply place the left track section against the right and fasten to the wall.



STEP 1 As with the right side, move the frame over to the left to assist in installing the bottom left track section.

STEP 2 Once again, install the stop pin on the left side of the track, tilt the track and drop the rollers into the groove.

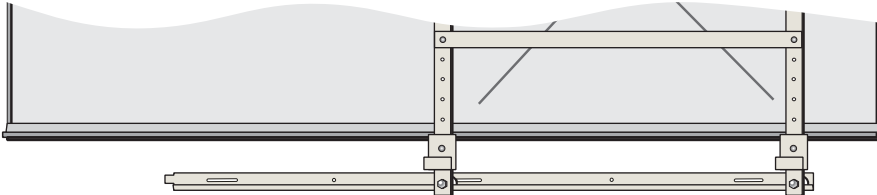
STEP 3 Check that it is level and fasten to the wall. The system is now installed!

STEP 4 Move the frame the entire length to ensure ease of operation. You are now ready to place your interactive whiteboard in the frame.

STEP 5 Position the board evenly in the center and rest the bottom in the two clips you installed at first.

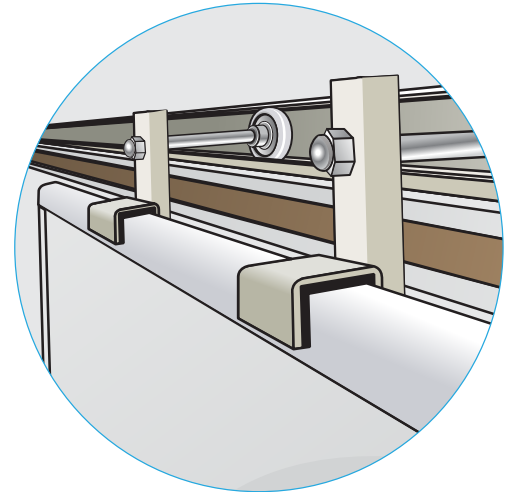
STEP 6 First, insert the carriage bolt from the inside of the clip matching up with the rectangular notch. The bolt will point back toward the wall.

STEP 7 Slide these clips down and over the top frame of your interactive whiteboard directly in line with the Carriage Upright.



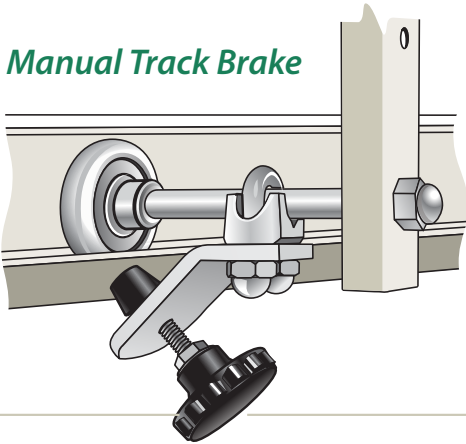
STEP 8 Push the top of your interactive whiteboard up and against the top of the Diversitrack frame. You are now ready to install the top clips.

STEP 9 Line up the bolt with the hole in the Carriage Upright, insert the bolt through the hole and fasten with the serrated flange nut. Once the top clips are in place, be sure to tighten the flange nuts securely behind ALL FOUR clips.

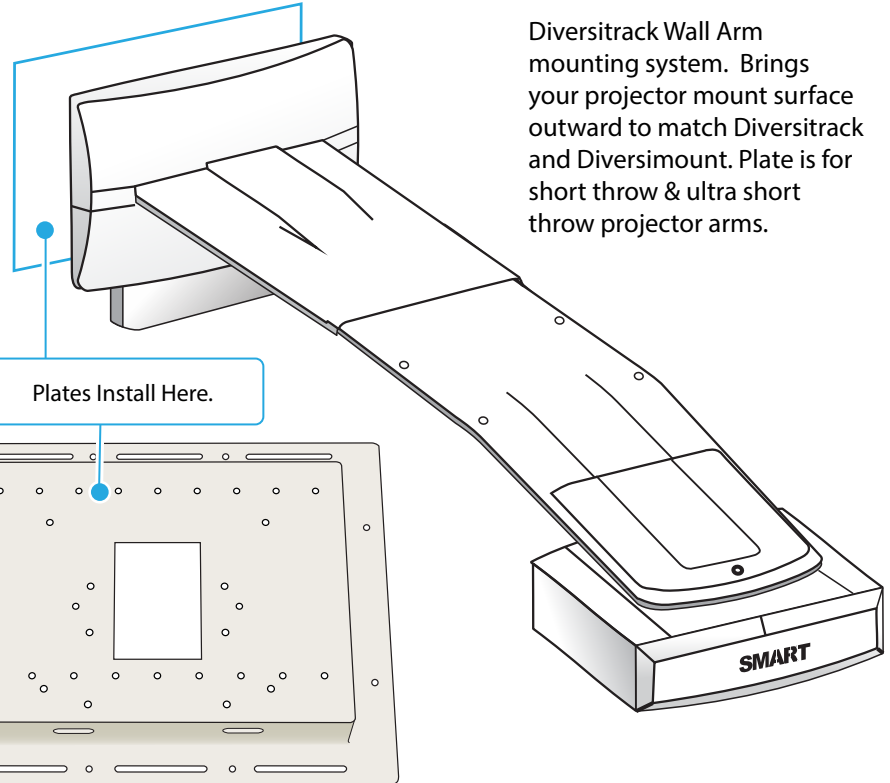


Your installation of Diversitrack is complete!

Manual Track Brake



Track Technology Systems universal wall mount plate for short and ultra-short throw projector systems extends your projector 6 inches out from the wall to match that of Diversitrack, Diversimount and any other over-chalk board mount system. Bolt patterns included for projector systems by Epson, Hitachi and SMART.



Diversitrack Wall Arm mounting system. Brings your projector mount surface outward to match Diversitrack and Diversimount. Plate is for short throw & ultra short throw projector arms.

Multi-Purpose Coiled Power Cable

Diversitrack's coiled, self-retracting power cable is just another exclusive innovation by Track Technology Systems, Inc. Whether you are installing an interactive whiteboard or simply need to supply self-retracting power to anything electronic, this cable is for you! When extended this military-grade cable offers you 18 feet of freedom and retracts by itself down to just 43 inches. Other uses might include manufacturing, warehouse, production line, automation equipment, RV, auto repair shop, garage, race shop or trailer, school or office.

Durability, low force-to-extend, excellent retractile memory, and high flex life are all-important customer requirements for our coiled cords. With 16 AWG fine wire, our coiled cords are manufactured with multi-conductor configurations. The extra-flexible stranded conductors are created with high-strength copper alloys.

Specifications

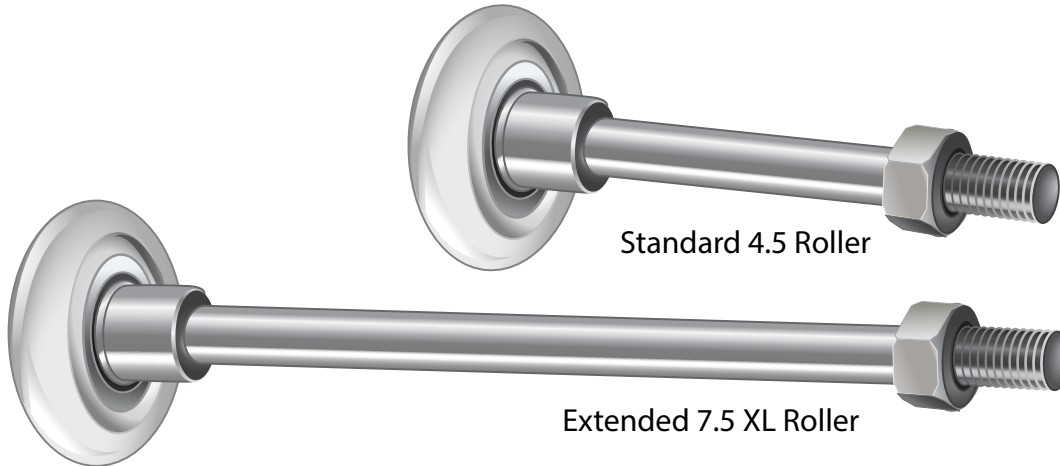
- Included & pre-bundled with Diversitrack TV
- 43" retracted, 18 feet extended
- 6" to end of NEMA 5-15 P R (Right Angle Male PLUG)
- 24" to end of NEMA 5-15 RTT (Triple outlet Female Receptacle)
- 16 AWG, 3 conductor, rated at 300V
- SciFlex Fire retardant Jacket (Black) compound
- Medical/military grade
- 1.25" to 1.375" coil OD
- Includes two rubber coated cable clamps for strain relief
- NEMA rated and UL and CSA approved



Diversitrack XL Roller Kit

Diversitrack Rollers were upgraded to nylon with Zinc plated tempered shaft, rated at 125lbs per roller in excess of 30,000 cycles. These are the best of track rollers rating quality, engineered specifically for long life! Additionally, they are rated ultra-quiet, a valued attribute in the classroom.

The inclusion of 13 sealed ball bearings means that the roller allows the roller to operate smoother, quieter, less stress during use. The extended shaft version accommodates chalk rails or allows a rise above other boards or obstructions up to 7.5 inches extended. Ask for optional accessory part # Roll41XL.



Standard 4.5 Roller

Extended 7.5 XL Roller

Product Disclaimer

The recommendations and suggestions regarding product application and use that are offered on www.diversitrack.com or in our product brochures, enclosed instructions with product or information provided by any employee, broker, or distributor of Track Technology Systems, Inc., are a guide in the use of this product and are not a guarantee to their performance since Track Technology Systems, Inc. has no control over the use to that other parties may apply the product. Modification of our mount systems is strictly prohibited without prior written consent of Track Technology Systems, Inc.

In no event shall Track Technology Systems, Inc., manufacturer of the branded Diversitrack or Diversimount products, or its affiliates be liable for indirect, incidental, special, exemplary, punitive, or consequential damages of any nature including, but not limited to, personal injury, death, property damage, loss of profits, revenue, production, or use, business interruption, or procurement of substitute goods or services arising out of or in connection with the use or performance of any Track Technology Systems, Inc. product, whether based on contract or tort,

including negligence, or any other legal theory, even if Track Technology Systems, Inc. or its affiliates has been advised of the possibility of such damages.

Track Technology Systems, Inc. or its affiliates' total aggregate liability for damages of any nature, regardless of form of action, shall in no event exceed the amount paid by you to Track Technology Systems, Inc., or its affiliates for the product upon which liability is based. Some states and jurisdictions do not allow for the exclusion or limitation of incidental or consequential damages, so this limitation and exclusion may not apply to you.

Product Warranty

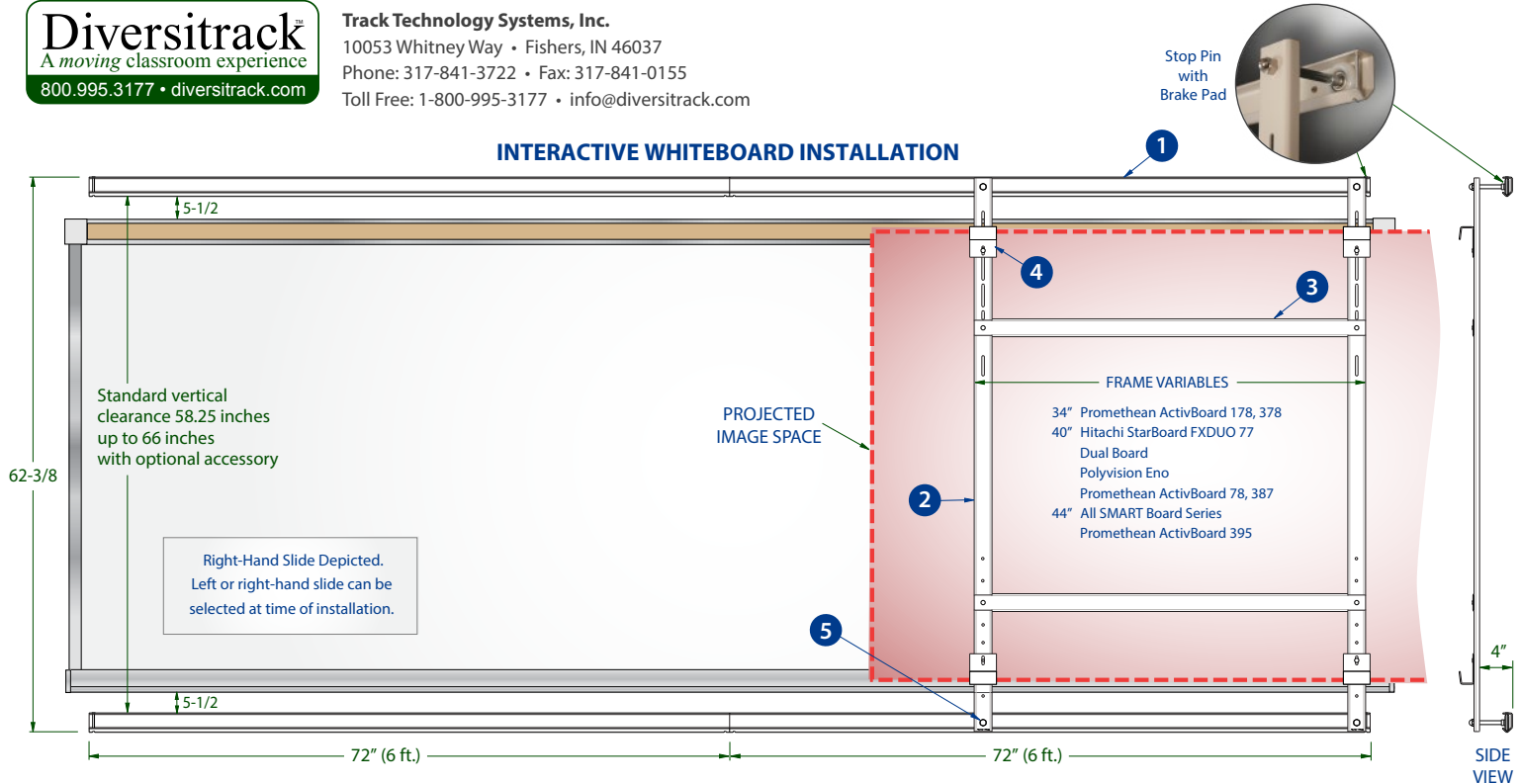
We warrant our product to be free from defects in material and workmanship, for terms specified below, provided there has been normal use and proper maintenance. This warranty applies to the original purchaser only. All remedies under this warranty are limited to the repair or replacement of any item or items found by the factory to be defective within the time period specified.

If you have a warranty claim, first you must call our factory at the number found in the back of this manual. You must retain proof of purchase and submit a copy with any items returned for warranty work. Upon completion of warranty fulfillment, if any, we will return the repaired or replaced item or items to you freight prepaid. Damage to our products caused by accidents, fire, vandalism, negligence, improper installation, misuse, Acts of God, or by defective parts not manufactured by us, is not covered under this warranty.

THE WARRANTY TIME PERIOD IS AS FOLLOWS: ALL “GOODS” MANUFACTURED BY OUR COMPANY: LIFETIME FRAME AND HARDWARE, NOT INCLUDING ROLLER WHEELS OR BRAKE PADS. ANY IMPLIED WARRANTIES OF MERCHANTABILITY AND/OR FITNESS FOR A PARTICULAR PURPOSE CREATED HEREBY ARE LIMITED IN DURATION TO THE SAME DURATION AND SCOPE AS THE EXPRESS WRITTEN WARRANTY. OUR COMPANY SHALL NOT BE LIABLE FOR ANY INCIDENTAL OR CONSEQUENTIAL DAMAGE.

Some states do not allow limitations on how long an implied warranty lasts, or the exclusion or limitation of incidental or consequential damages, so the above limitations or exclusions may not apply to you. This warranty gives you specific legal rights, and you may also have other rights which vary from state to state.

INTERACTIVE WHITEBOARD INSTALLATION



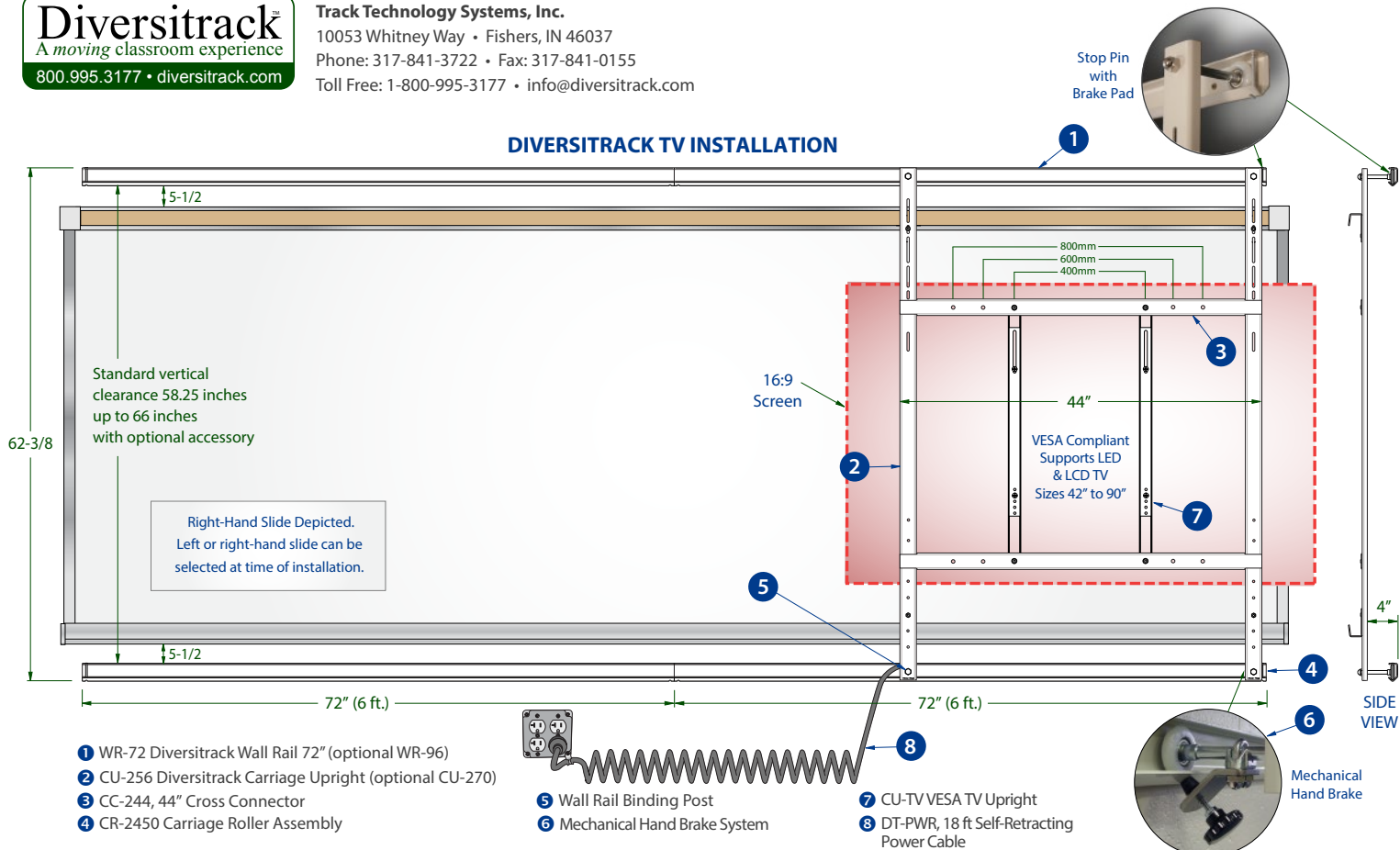
Standard vertical clearance 58.25 inches up to 66 inches with optional accessory

Right-Hand Slide Depicted.
 Left or right-hand slide can be selected at time of installation.

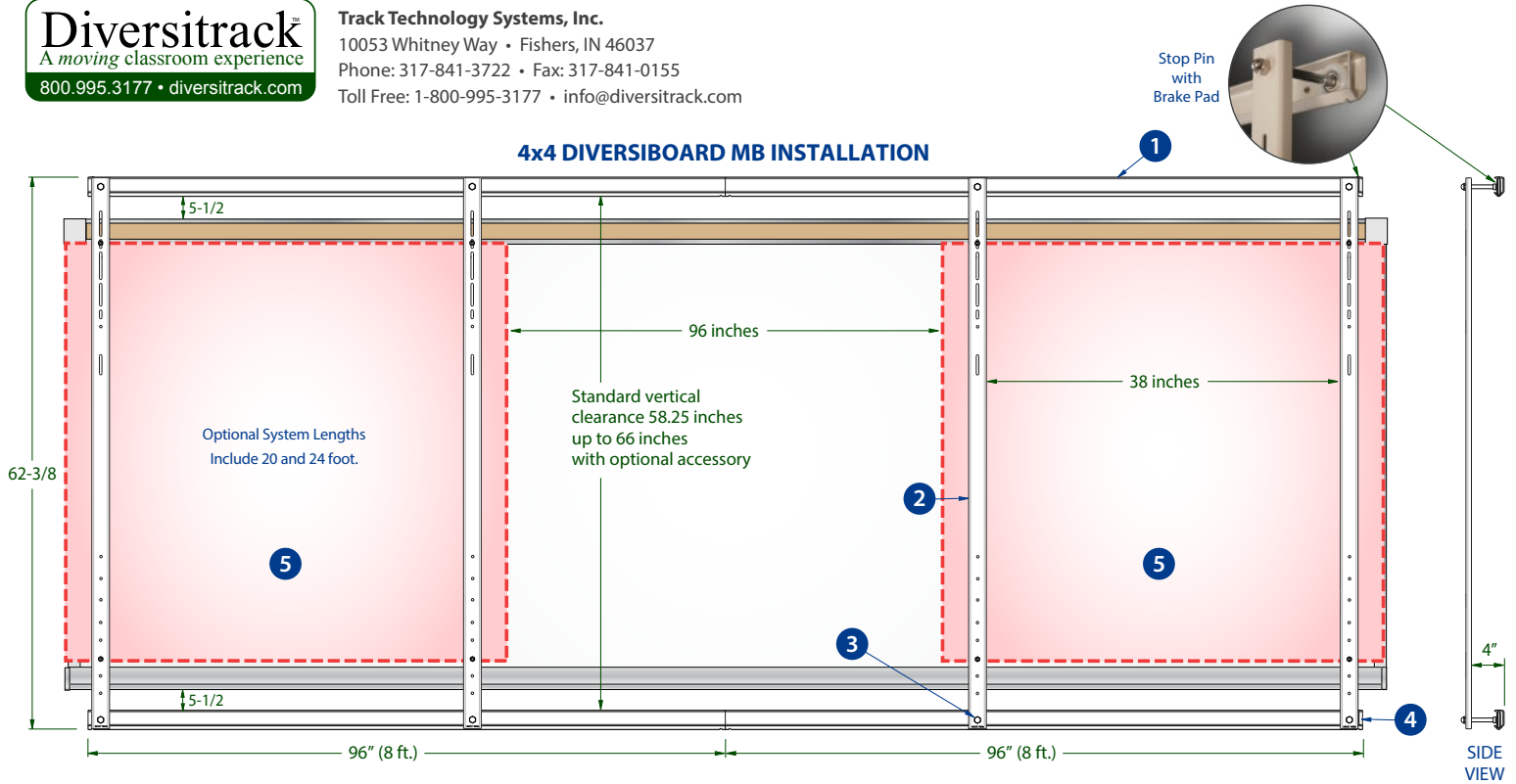
- FRAME VARIABLES
- 34" Promethean ActivBoard 178, 378
 - 40" Hitachi StarBoard FXDUO 77 Dual Board Polyvision Eno
 - Promethean ActivBoard 78, 387
 - 44" All SMART Board Series
 - Promethean ActivBoard 395

- 1 WR-72 Diversitrack Wall Rail 72" (optional WR-96)
- 2 CU-256 Diversitrack Carriage Upright (optional CU-270)
- 3 CC-xxx Cross Connector, "234", "240" or "244"
- 4 MC-xxx Mounting Clip, model specific
- 5 Carriage Roller Assembly

DIVERSITRACK TV INSTALLATION



4x4 DIVERSIBOARD MB INSTALLATION

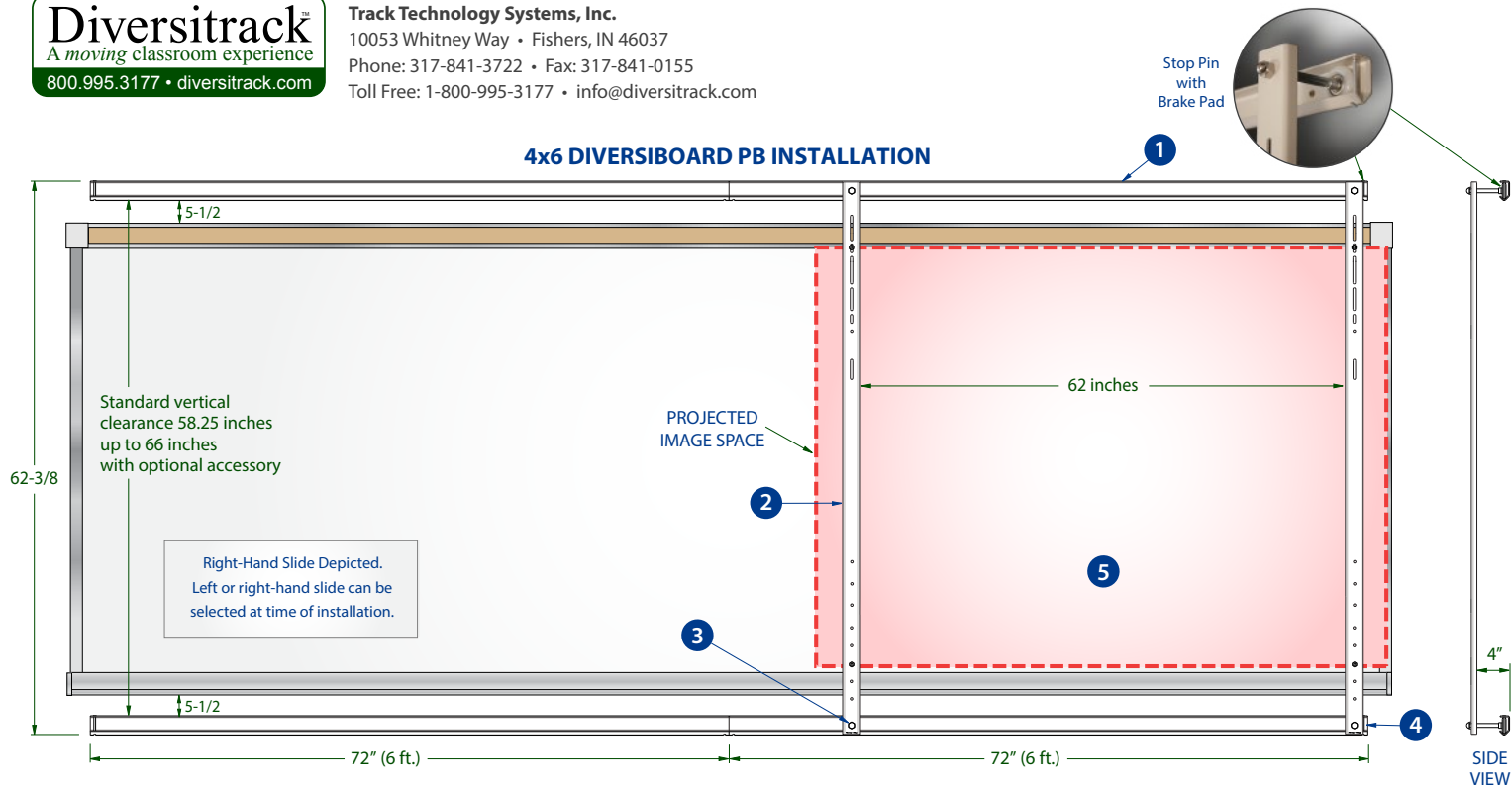


- 1 WR-96 Diversitrack Wall Rail 96"
- 2 CU-256 Diversitrack Carriage Upright

- 3 CR-2450 Carriage Roller Assembly
- 4 BP-2832 Wall Rail Binding Post

- 5 PB4848 Diversiboard MB (marker board)

4x6 DIVERSIBOARD PB INSTALLATION



1 WR-96 Diversitrack Wall Rail 96"

2 CU-256 Diversitrack Carriage Upright

3 CR-2450 Carriage Roller Assembly

4 BP-2832 Wall Rail Binding Post

5 PB4872 Diversiboard PB (projection board)

Diversitrack[™]
a moving classroom experience

www.diversitrack.com

Printed in USA

Revision 062315