

Introducing Hovermount!

The FIRST Flat Panel Display mount, vertically adjustable on-the-fly for school classrooms!

Hovermount is the first mount of its kind for Flat Panel Displays supporting a range of sizes and weights and is VESA compliant.

With little effort, you can now move your Flat Panel Display VERTICALLY on any wall surface OR mount in front of your existing chalk or dry erase board. It does not utilize motors or springs and instead makes dramatically effective use of gas pistons for its movement!



Flat Panel Mount
(Industry Compliant)

Manufacturers of weight-compliant Interactive Flat Panel Touch Displays include:

BenQ
Enjoyment Matters

InFocus

QOMO

Newline

BOXLIGHT
mimio

Microsoft

SHARP

ClearTouch
INTERACTIVE

recordex

SMART
Technologies

CLEVERTOUCH

Promethean

ViewSonic



YouTube Video

**TRACK TECHNOLOGY
SYSTEMS, INC.**

Corporate Address:
10053 Whitney Way, Fishers, IN 46037

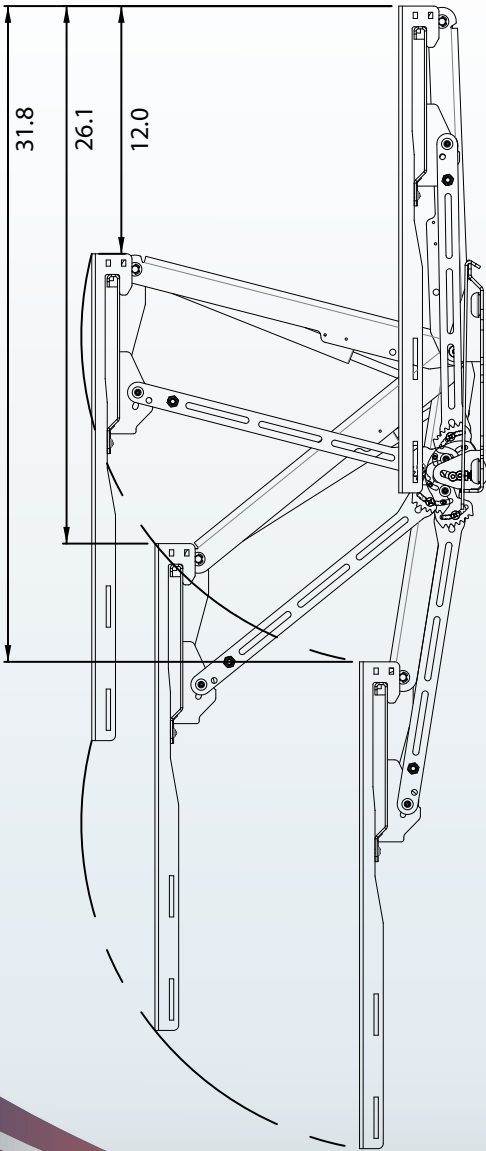


CALL TOLL FREE:
1-800-995-3177

For more information, call our office, email
sales@diversitrack.com or visit diversitrack.com



Hovermount Specifications



	Hovermount LITE	Hovermount
Downward Travel	up to 29 inches	up to 32 inches
Weight Capacity	15 to 70 lbs	20 to 125 lbs
Adjustable Tilt	No	Yes
Tilt in Top	6.5 +/-1 degrees	Can be set Vertical to 7 degrees
Tilt in Out and Bottom	Vertical +/-1 degrees	Can be fine tuned to Vertical
Swivel	Yes	No
Depth	6.6 inches	4.6 to 5.6 depending Tilt Setting
Single Stud Mounting	Yes	No
Studs Spaced 16" Apart	Yes	Yes
Studs Spaced 24" Apart	Yes	Add optional wall Support Kit
Works with Speaker Bracket	Yes	Yes
Max Mounting Hole Pattern	692mm x 502mm	692mm x 502mm

The **Hovermount** has been independently tested by Underwriters Laboratories for safety and long life. Two tests were performed on the **Hovermount** that include a LOAD test and a CYCLE test proving its rigorous design. Because the **Hovermount** is UL tested, you have peace of mind regarding its durable design and performance.

Track Technology Systems, Inc. guarantees the **Hovermount** to be free of defects for the product's warranty period of 5 years. The warranty period commences upon its original date of shipment. The limited warranty is intended only for the original purchaser.



Hovermount will hold your display in a range of positions. When the **Hovermount** arm reaches its horizontal position, at 12 inches down from the top, your display will HOVER. From there to the bottom of its movable range, it will stay in the position you choose.

- ⊕ *Vertically adjustable on the fly!*
- ⊕ *Gas piston actuated for ease of movement*
- ⊕ *UL rated for strength and long life*
- ⊕ *Holds most any VESA compliant Flat Panel up to 120 lbs.*
- ⊕ *Compatible with most Interactive display systems*
- ⊕ *Stamped die steel frame for stability and long life*

Revision 022217

TRACK TECHNOLOGY SYSTEMS, INC.

10053 Whitney Way, Fishers, IN 46037
Email: sales@diversitrack.com



CALL TOLL FREE:
1-800-995-3177

Visit our website at: www.diversitrack.com

Diversitrack is patented and an official trademark of Track Technology Systems, Inc.
Diversimount is Patent Pending and an official trademark of Track Technology Systems, Inc.

