

dynafor™ Pro

Installation, operating and maintenance manual	English Original manual	GB
Manuel d'installation d'emploi et d'entretien	Français Traduction de la notice originale	FR
Installations-, Gebrauchs- und Wartungsanleitung	Deutsch Übersetzung der Originalanleitung	DE
Handleiding voor installatie, gebruik en onderhoud	Nederlands Vertaling van de oorspronkelijke handleiding	NL
Manual de instalación, de utilización y de mantenimiento	Español Traducción del manual original	ES
Manuale d'installazione, d'impiego e di manutenzione	Italiano Traduzione del manuale originale	IT
Manual de instalação, de uso e de manutenção	Português Tradução do manual original	PT

GB
Pro series electronic dynamometer
FR
Dynamomètre électronique gamme Pro
DE
Elektronisches Dynamometer der Pro-Reihe
NL
Elektronische dynamometer uit de Pro-serie
ES
Dinamómetro electrónico de la serie Pro
IT
Dinamometro elettronico gamma Pro
PT
Dinamómetro eletrónico série Pro

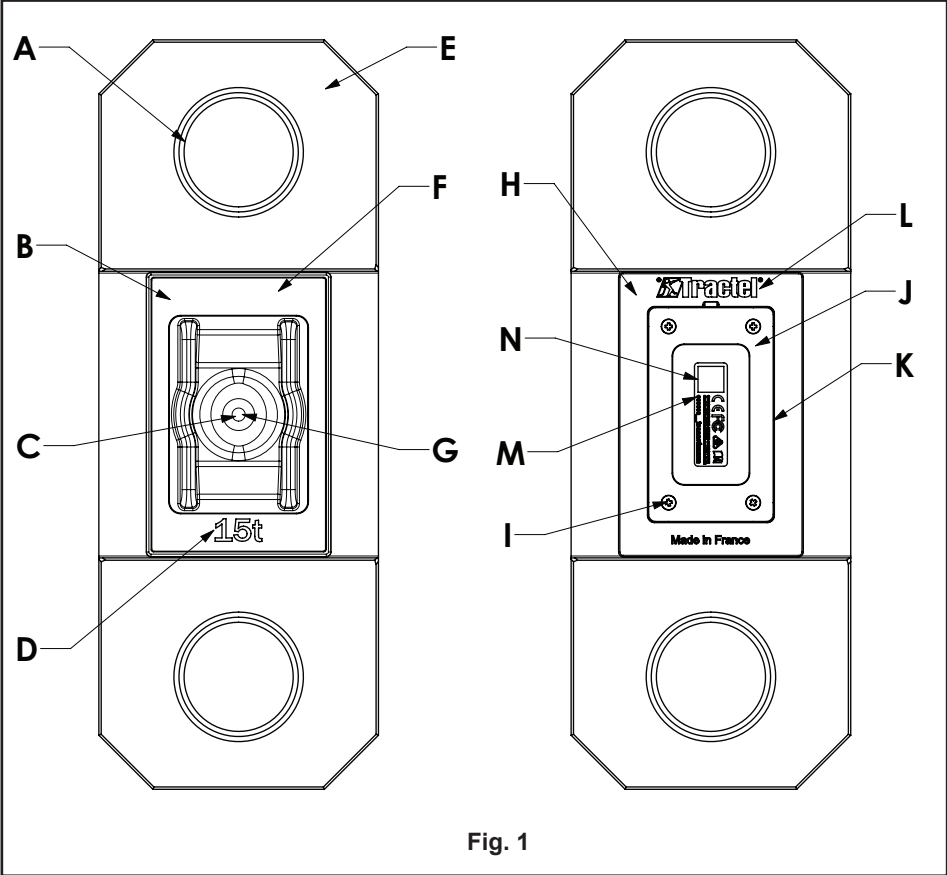



Fig. 1

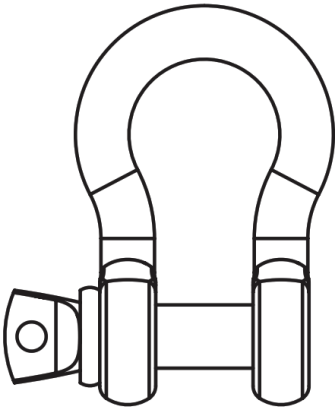


Fig. 2

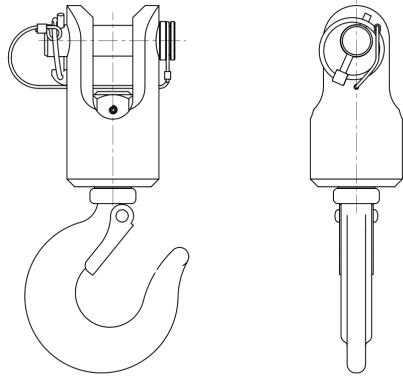


Fig. 3A

type / type / Type / type / tipo / tipo / tipo /
 τύπος / type / typ / τυρρι / type / Тур / тип

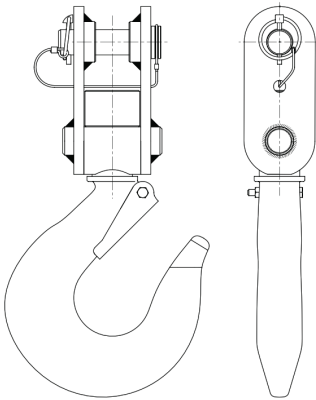


Fig. 3B

type / type / Type / type / tipo / tipo / tipo /
 τύπος / type / typ / τυρρι / type / Тур / тип

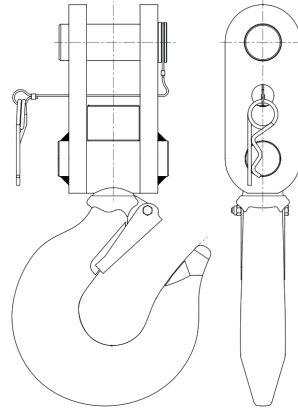


Fig. 3C

type / type / Type / type / tipo / tipo / tipo /
 τύπος / type / typ / τυρρι / type / Тур / тип

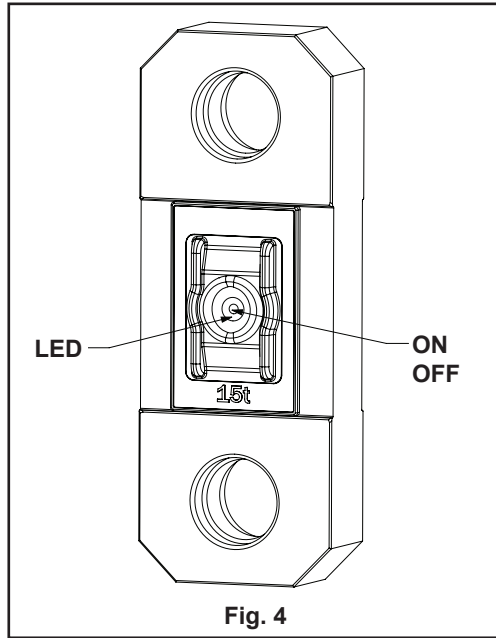


Fig. 4

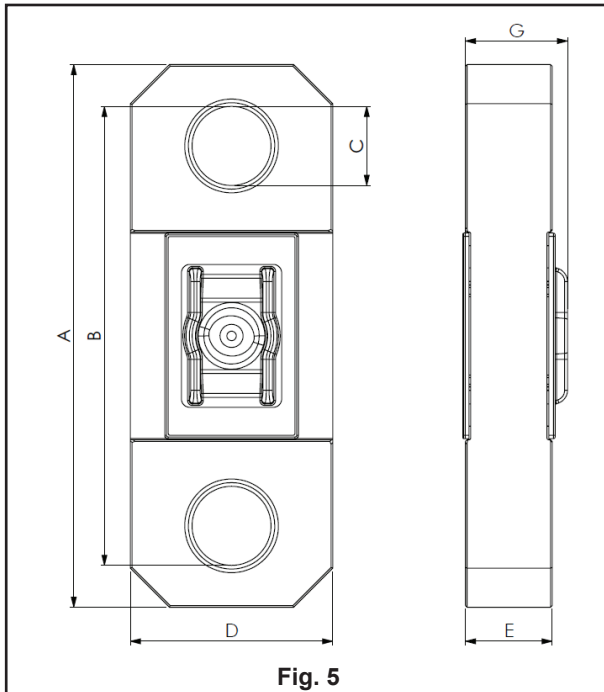


Fig. 5

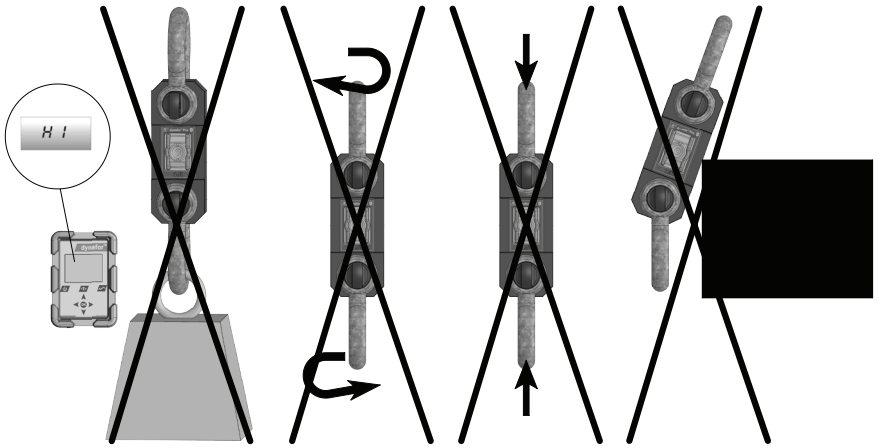


Fig. 6

Summary

1. Priority instructions	6
2. Definitions and pictograms	7
2.1. Definitions	7
2.2. Pictograms	7
3. Description and markings	7
3.1. Presentation	7
3.2. Operating principle	8
3.3. Markings	8
4. Associated equipment	8
5. Uses	8
5.1. Installing the batteries	8
5.2. Installation	9
5.3. Starting up the sensor	9
5.4. Functions	9
5.4.1. Operation in basic configuration	9
5.4.2. Automatic zeroing	9
5.4.3. Information provided by the sensor LED	9
5.4.4. Operation in multiple and extended configuration	9
5.5. Turning the product off	10
5.6. Deinstallation	10
6. Prohibited uses	10
7. Maintenance and periodic verification	10
7.1. Battery replacement	10
7.2. Other verifications	10
8. Transport and storage	10
9. Product disposal and environmental protection	10
10. Technical specifications	11
11. Regulations and standards	11
12. Troubleshooting	12
13. Declaration of conformity	12

1. Priority instructions

- Before installing and using this product, it is essential that you read these instructions and comply with its instructions for safe and effective use. A copy of these instructions must be made available to all operators. Additional copies can be obtained upon request from Tractel®.
- Do not use this product if any of the labels affixed to it or any of its accessories, or any of the markings on it as shown at the end of this manual are no longer present or legible. Identical labels can be obtained upon request from Tractel® and must be affixed before continuing to use this product.
- Make sure that any user of this product is familiar with its operation and capable of applying the safety requirements for the task to be performed. These instructions must be made available to these users. Protect your equipment from uncontrolled intervention.
- This product must be installed and put into operation in conditions that ensure the safety of the installer in accordance with applicable local regulations.
- Every time you use the product, first inspect its condition and that of any accessories. Never use a product that does not appear to be in good condition.
- Return the product to the manufacturer for servicing if there are any visible or operating problems unrelated to the battery condition.
- Protect the product from impacts.
- This product may never be used for operations other than those described in these instructions. It may never be used for loads above the safe working load indicated on the product. It may never be used in an explosive atmosphere.
- Before this product is used in a man-riding system, the supervisor must first verify the application of the coefficients of use required for the safety of personnel, and generally compliance with the safety regulations applicable to the load line in which it is used.
- Tractel® shall not be liable for the operation of this product in an assembly configuration not described in these instructions.
- Any modification of this product without the approval of Tractel® or any removal of any component part shall release Tractel® from any liability.
- Any disassembly of this product not described in this device or any repair work not approved by Tractel® shall release Tractel® from any liability, especially if original parts are replaced by parts from another source.
- A dynafor™ dynamometer is a lifting accessory and the safety regulations applicable to that category of equipment must be applied.

14. When the product is finally withdrawn from service, it must be scrapped in such a way that it cannot be used again. Comply with environmental protection regulations.
15. This product is approved according to European regulations and the standards specified in the section "11. Regulations and standards", and must be verified for compliance with the regulations of any other country in which it may be used, prior to commissioning and use. Comply with such regulations.
16. Any use of this product with additional equipment that relays its signals to an operating system must be preceded by a risk analysis specific to the operating functions used and all appropriate measures must be taken accordingly.



"IMPORTANT": When placed at the beginning of a paragraph, it indicates instructions for preventing product failure or damage which would not directly endanger the life or health of operators or other individuals and/or which may harm the environment.



"NB": When placed at the beginning of a paragraph, it indicates the necessary precautions to apply for efficient and ergonomic installation, use and maintenance.



Book icon: When placed on the product itself or a product component, it indicates the need to read the operating and maintenance manual.

2. Definitions and pictograms

2.1. Definitions

In this manual, the following terms have the meaning given below:

"Product": Item or equipment described in this manual and delivered complete in the standard version, or in its various existing models.

"Installation": All the operations required to bring the complete product from the state in which it was delivered into a state of commissioning (or connection to other elements for commissioning).

"Supervisor": Individual or party responsible for the management and safe use of the product described in the manual.

"Technician": Qualified person familiar with the product, in charge of the maintenance operations described and permitted in the manual.

"Operator": Individual using the product in accordance with the instructions in this manual.

"MR": Measurement Range (full scale).

"SWL": Safe Working Load.

2.2. Pictograms



"DANGER": When placed at the beginning of a paragraph, it indicates instructions for preventing injuries ranging from minor to fatal and also environmental damage.

3. Description and markings

3.1. Presentation

dynafor™ Pro are precision force sensors (0.2% MR) for measuring forces and indicating loads. The capacity range is from 1 t to 250 t.

The material is delivered with its batteries in a case* containing:

- The dynafor™ Pro.
- Its installation, operating and maintenance manual.
- Its adjustment certificate.
- Its CE declaration of conformity.

*For dynafor™ Pro with capacities of 100 t and 250 t, the material is delivered in a wooden box.

Adjustment certificate

This document is valid for one year and certifies that the sensor has been adjusted using an internal Tractel® procedure on a calibration bench with a standard sensor connected to the international standard.

Option : Calibration certificate ISO 376

On request, the sensor can be delivered with an ISO 376 calibration certificate up to 50 t.

This document, which is valid for up to 26 months, certifies that the product has been calibrated in accordance with ISO 376, on a calibration bench whose standard sensor is connected to the international standard.

The technologies implemented at the levels of radio and software offer, in addition to the traditional uses expected of a dynamometer, multiple configuration possibilities that combine several sensors. They also provide access to advanced functions such as recording, threshold management and monitoring.

The option of a PC link via a USB port opens the door to data management and archiving.

GB

The different possible combinations are described in chapter 4. Associated equipment.

3.2. Operating principle

The operating principle of dynafor™ Pro is based on the measurement using strain gauges of the elongation, within the elastic limit, of a metal body subjected to tensile stress.

The product operates in all directions.

3.3. Markings

See figure 1.

A	Fastening ring
B	Front panel
C	Operation indicator
D	Maximum sensor capacity
E	Sensor body
F	Model
G	On/Off (Start/Stop) button
H	Back plate
I	Cover fixing screw J
J	Battery compartment cover
K	Battery compartment (3 x "AA")
L	Manufacturer
M	Serial number
N	QR code directing to the tracinfo platform containing manual, adjustment certificate and data sheet

4. Associated equipment

The product is compatible with the following equipment:

Lifting accessories:

- Bow shackle
- Swivel hook

Dynafor™	Bow shackle	Swivel hook
Pro 1t	47916	40977 (type A)
Pro 3.2t	47916	40977 (type A)
Pro 6.5t	47926	105567 (type B)
Pro 15t	112427	113227 (type C)
Pro 25t	47946	51207 (type C)
Pro 50t	47956	Custom-made
Pro 100t	38166	Custom-made
Pro 250t	93106	Custom-made

For details of lifting accessories, please refer to the technical sheet, illustration of bow shackles in figure 2, and swivel hook in figure 3.

Lifting accessories not recommended by Tractel® must be correctly dimensioned according to the local regulations in force.

Display devices:

- The dynafor™ HHD remote display unit offers multiple functionalities including the reading and management of 4 sensors up to a distance of 400 m in open air. Codes: 293609 when purchased simultaneously with a dynafor™ Expert or Pro sensor
Code: 293449 when purchased separately
- AL128 large display unit for high visibility, 128 mm high digits with wireless communication up to 200 m in open air.
Code: 293489

Threshold safety management module:

- dynafor™ monitoring unit (DMU) offering the same functionalities as the dynafor™ HHD remote display unit and allowing up to 5 relays to be controlled.
Code: 293479

Software:

- Loader software for downloading the data recorded on the dynafor™ HHD remote display unit to a computer.
Code: 293509
- Monitoring software allows load values to be displayed, recorded and analysed live for up to 8 sensors. Requires the dynafor™ HHD remote display unit.
Code: 68968
- dynafor™ app for displaying the load value of a sensor from a smartphone or tablet via Bluetooth up to 30 m in open air. Available on iOS and Android.

5. Uses



The supervisor must ensure that a technician is tasked with installing the product. The supervisor must ensure that the operator has reviewed this installation, operation and maintenance manual before they use the product.

5.1. Installing the batteries

The three 1.5 V "AA" batteries are factory installed.

Remove the insulating tab protruding from the battery compartment to activate the batteries. For subsequent battery replacement, please refer to section 7.1. Battery replacement.

5.2. Installation

During installation, it is absolutely necessary to:

1. Make sure that the load line anchor point or points are sufficiently strong for the force that will be applied.
2. Make sure that the lifting accessories at both ends of the product are compatible and comply with applicable local regulations.
3. Correctly lock the shackles by screwing their pin in fully. Lock the clevis hook pin correctly with its safety pin. Make sure that the hook safety catch is present and in good working order.
4. Allow the product to line up freely in the line of force.
5. Check the presence and condition of the batteries in the sensor.
6. Connect the product to the remote display unit or to a smartphone via the Tractel app.
7. Make sure there is a good radio link between the sensor and the display box.

Use the product only with tensile force.

The product may be used in all directions, including horizontally.


The product works satisfactorily in a temperature range of -20°C to +50°C. For use beyond those temperatures, the product must have thermal protection.

5.4.3. Information provided by the sensor LED

Sensor operation MODE	Sensor LED flashing	Measurements per seconds	Battery life
Stop	Off	-	-
Standard	1 flash per second	4 per second	300 h
Economy*	1 flash every 4 seconds	1 every 4 seconds	1,000 h
Sleep	1 flash every 8 seconds	-	3,000 h
Peak load	2 flashes per second	32 per second	100 h
Batteries low.	Identical to separate modes, but one LED at the same time		-

*The factory default setting is to switch automatically to economy mode if there is no load variation (10% of SWL) for 5 minutes. This economy mode is adjustable. See the dynafor™ HHD remote display unit manual.

5.4.4. Operation in multiple and extended configuration

 **NB:** For further details, please refer to the associated equipment manuals defined in chapter 4. Associated equipment

The multiple configuration consists in connecting up to four sensors and one or more display devices. The sensors can have different capacities. (For more than four sensors, the PC connection option is required.)

5.3. Starting up the sensor

Always switch on the sensor before switching on the remote display unit, otherwise the remote display unit will not be able to establish the radio link.

A light impulse on the Start/Stop button located in the centre of the membrane activates the ON/OFF switch. (See figure 4, item G.)

When the power is turned on, the two red LEDs start to flash simultaneously.

5.4. Functions

5.4.1. Operation in basic configuration

Basic configuration consists in using a set made up of a single sensor and a single remote display unit, and/or a single sensor and a smartphone equipped with the dynafor™ App. This set measures and displays the force at the sensor.

5.4.2. Automatic zeroing

When the dynafor™ Pro is switched on, the associated display unit will show "0" providing the measured force is less than 10% of the SWL of the product.

For some applications, it is useful to display the measurements from several sensors on a single dynafor™ HHD remote display unit.

Example: Lifting a load with a spreader bar suspended from two winches, each equipped with a sensor. The grouping together of the two force measurements on a single dynafor™ HHD remote display unit allows the operator to view the two forces and their total value and to check that the load is correctly distributed between the two winches.

Contact Tractel® for any further information on multiple configurations.

5.5. Turning the product off

To turn the product off, press and hold the Start/Stop button for 2 seconds without pressing too hard.

If there is no load variation, the product will go on sleep automatically after 20 minutes. This automatic sleep preserves the sensor batteries.

The sensor switches back on automatically when a display device is reconnected.

This automatic sleep can be adjusted. See the dynaform™ HHD remote display unit manual.

5.6. Deinstallation

When deinstalling the product, make sure that all tensile forces have been removed beforehand.

Clean the product and store it according to the sections 7.2. Other verifications and 8. Transport and storage.

6. Prohibited uses

THE FOLLOWING ARE FORBIDDEN:

See figure 6

- Using the product in a man-riding system without first carrying out a specific risk analysis.
- Modifying the product.
- Using the product beyond its SWL with static or dynamic forces.
- Arc welding with the product in the ground circuit.
- Exposing the product to any electric and/or electromagnetic shock.
- Disassembling or opening the product.
- Using the product for operations other than those described in this manual.
- Using the product if there is a risk that it may be subjected to compressive, bending or torsional loads.
- Preventing the product being aligned in the line of force.
- Using the product in a highly corrosive environment.
- Using the product in an explosive environment.
- Using the product outside the temperature range of -20°C to 50°C.
- Using the product if it has been subjected to a force above 110% of its SWL.
- Using the product if it does not appear to be in good condition.
- Using the product if the markings are missing or illegible.

- Using the product with stainless steel accessories.

7. Maintenance and periodic verification

7.1. Battery replacement

The LEDs in the centre of the sensor's Start/Stop button flash one after the other when the batteries are emptied.

A warning message is also displayed on the remote display unit. They need to be replaced.

- Using a Philips screwdriver, remove the battery compartment cover.
- Replace the three "AA" 1.5 V batteries with new ones, minding the polarities.
- Put back the battery compartment cover and tighten the fixing screws so that the cover is flush with the edge of the battery compartment.

7.2. Other verifications

Tractel® recommends periodically inspecting the visual condition of the product and cleaning the sensor regularly with a dry cloth.

Tractel® also recommends annual recalibration (for adjustment see section 3.1. Presentation) before the valid certificate expires.

Tractel® can provide these services on request.

8. Transport and storage

During storage and/or transport, the product must be:

- Packed in its original packaging with the batteries removed
- Stored in a dry location
- Stored at a temperature between -20°C and 60°C
- Protected from chemical, mechanical or any other type of attack.

9. Product disposal and environmental protection

The product must be disposed of in accordance with the regulations applicable in the country of use.

The product complies with the requirements of the REACH regulation and the RoHS directive; it is not covered by the WEEE directive.

The different product components must be recycled on the basis of the table below, after separating metal and synthetic materials. These materials must be recycled by specialist organisations.

At the time of disposal, only trained individuals may dismantle the product to separate its components.

Component	To be treated as a waste of the type
Product body	Aluminium
Electronic housing (plastic)	Ordinary waste
Printed circuit board and display	Electronics
Batteries	Accumulator

GB

10. Technical specifications

Model		Pro 1	Pro 3.2	Pro 6.5	Pro 15	Pro 25	Pro 50	Pro 100	Pro 250
SWL	t	1	3.2	6.5	15	25	50	100	250
Safety coefficient		> 4							
Accuracy	+/- %	0.2% EM à 21 °C							
	+/- kg	2	6.4	13	30	50	100	200	500
Resolution	kg	0.2	0.5	1	5	10	20	50	100
Measurement frequency	Hz	4 Hz-32 Hz in peak load mode – 1 Hz in economy mode							
Max. display	%	110% de la SWL							
Battery life	h	300 to 1,000 depending on use							
RF (radio frequency) technology		2.4 GHz – 2.4835 GHz owner, range up to 400 m in open air							
RF radio power output	dBm	9.5							
Bluetooth technology		BLE 4.0 (2.4 GHz – 2.4835 GHz), range up to 30 m in open air							
BLE radio power output	dBm	7.71							
Weight	kg	0.70	0.86	1.60	3.66	5.33	11.45	27.48	97.98
IP rating		IP 64 (IP 67 as option)							
Operating temperature	°C	-20 °C à +50 °C							
Sensor material		Aluminium				High strength Aluminium			
Batteries		3x AA							
Dimensions (see figure 5)									
A	mm	216	216	248	319	357	446	559	797
B		192.8	193.8	214.1	269.8	301.6	371.2	454.2	609.1
C		21.5	21.5	28.8	46.5	57.4	78.8	107.6	162.1
D		79	92	113	119	132	152	196	329
E		23	23	32	51	61	90	129	180
G		39	39	39	62	65	91	133.5	Irrelevant

11. Regulations and standards

The product described in this manual complies with the following:

European standards

Machinery Directive 2006/42/EC
Directive 2014/53/EU (RED)

Reference of radio standards
EN300440 V2.1.1

EN300328 V2.2.2
ETSI 203367 V1.1.0

Reference of health standards
EN62479 (2010)

Reference of EMC standards
EN61326-1 (2013)
EN301 489- 1 & 17

Reference of electrical safety standards
IEC/EN61010-1 (Amd 1 ed. 3)

Australian and New Zealand standards

Reference of electrical safety standards
AS/NZ61010-1

Russian standards

Reference of EMC and electrical safety standards
Technical regulation CU TR 020/2011

International standards

IEC 61326-1 ed. 2: 2012
IEC 61311: 2007

American and Canadian standards

Reference of radio standards
FCC section 15
RSS-GEN & RSS-210

Reference of EMC standards
FCC section 15
ICES-003

NB: This equipment has been tested and deemed to comply with the limits for a class A digital device, pursuant to section 15 of the FCC regulations. These limits are designed to provide reasonable protection against harmful interference when the equipment is

used in a commercial environment. This equipment generates, uses and can emit radio waves, and if not installed and used in accordance with the instruction manual, may cause harmful interference to radio communications. Operating this equipment in a residential area is likely to cause harmful interference, in which case the user must eliminate the interference at his or her own expense.

NB: This product complies with Industry Canada's RSS applicable to licence-exempt radio apparatus. The equipment may be operated under the following two conditions: (1) it must not cause any interference, and (2) the user of the device must be prepared to accept any radio interference received, even if such interference is likely to affect the operation of the device.

In accordance with Industry Canada regulations, this radio transmitter may be operated with an antenna of a type and maximum gain (or less) approved for the transmitter by Industry Canada.

To reduce the risk of radio interference for other users, the type of antenna and its gain should be chosen so that the equivalent isotropic radiated power (e.i.r.p.) does not exceed the intensity required to establish satisfactory communication.

12. Troubleshooting

Problems	Possible causes	Remedies
The sensor does not turn on	Batteries empty.	Replace the batteries.
	Defective electronics.	Contact Tractel®
Sensor LED flashing at 4 Hz (4 times a second)	No communication between the sensor and its printed circuit board.	Contact Tractel®

For any other issues related to the remote display unit, see the manual.

13. Declaration of conformity

Copy of the declaration of conformity in the appendix

Sommaire

1. Consignes prioritaires.....	13
2. Définitions et pictogrammes	14
2.1. Définitions.....	14
2.2. Pictogrammes.....	14
3. Description et marquage	14
3.1. Présentation.....	14
3.2. Principe de fonctionnement.....	15
3.3. Marquage.....	15
4. Equipements associés.....	15
5. Utilisation	16
5.1. Mise en place des piles	16
5.2. Installation.....	16
5.3. Mise en marche du Capteur	16
5.4. Fonction.....	16
5.4.1. Fonctionnement en configuration simple	16
5.4.2. Zéro automatique	16
5.4.3. Informations données par la LED du capteur.....	16
5.4.4. Fonctionnement en configuration multiple et étendue	17
5.5. Eteindre le produit.....	17
5.6. Désinstallation	17
6. Utilisations interdites.....	17
7. Entretien et vérification périodique	17
7.1. Remplacement des piles	17
7.2. Autres vérifications.....	17
8. Transport et stockage	18
9. Mise au rebut et protection environnementale	18
10. Spécifications techniques.....	18
11. Réglementation et normes.....	19
12. Anomalie de fonctionnements et remèdes	19
13. Certificat de conformité.....	19

1. Consignes prioritaires

- Avant d'installer et d'utiliser ce produit, il est indispensable, pour sa sécurité d'emploi et son efficacité, de prendre connaissance de la présente notice et de se conformer à ses prescriptions. Un exemplaire de cette notice doit être conservé à disposition de tout opérateur. Des exemplaires supplémentaires peuvent être fournis sur demande par Tractel®.
- Ne pas utiliser ce produit si l'une des étiquettes fixées sur celui-ci, ou sur l'un de ses accessoires, ou si l'une des inscriptions y figurant, comme indiqué à la fin du présent manuel, n'est plus présente ou lisible. Des étiquettes identiques peuvent être fournies sur demande par Tractel® et doivent être mises en place avant de continuer l'utilisation de ce produit.
- Assurez-vous que toute personne à qui vous confiez l'utilisation de ce produit en connaît le maniement et est apte à assumer les exigences de sécurité que ce maniement exige pour l'emploi concerné. La présente notice doit être mise à sa disposition. Préservez votre matériel de toute intervention incontrôlée.
- La mise en place et la mise en fonctionnement de ce produit doivent être effectuées dans des conditions assurant la sécurité de l'installateur conformément à la réglementation locale applicable.
- Avant chaque utilisation du produit, vérifier qu'il est en bon état apparent, ainsi que les accessoires utilisés avec le produit. Ne jamais utiliser un produit qui n'est pas en bon état apparent.
- Retourner le produit au fabricant pour révision s'il présente des anomalies apparentes ou de fonctionnement non liées à l'état des piles.
- Préservez le produit de tout choc.
- Ce produit ne doit jamais être utilisé pour des opérations autres que celles décrites dans cette notice. Il ne doit jamais être utilisé pour une charge supérieure à la capacité maximale d'utilisation indiquée sur le produit. Il ne doit jamais être utilisé en atmosphère explosive.
- Ce produit ne doit pas être utilisé dans une ligne de levage de personnes sans que le superviseur ait vérifié l'application des coefficients d'utilisation requis pour la sécurité des personnes, et plus généralement l'application de la réglementation de sécurité applicable à la ligne de charge dans laquelle il est interposé.
- Tractel® exclut sa responsabilité pour le fonctionnement de ce produit dans une configuration de montage non décrite dans la présente notice.
- Toute modification du produit hors du contrôle de Tractel®, ou toute suppression de pièce en faisant partie, exonèrent Tractel® de sa responsabilité.

12. Toute opération de démontage de ce produit non décrite dans cette notice, ou toute réparation effectuée hors du contrôle de Tractel® exonèrent Tractel® de sa responsabilité, spécialement en cas de remplacement de pièces d'origine par des pièces d'une autre provenance.
13. Un dynamomètre dynafor™ étant un accessoire de lavage, la réglementation de sécurité applicable à cette catégorie d'équipement doit être respectée.
14. En cas d'arrêt définitif d'utilisation, mettre le produit au rebut dans des conditions interdisant son utilisation. Respecter la réglementation sur la protection de l'environnement.
15. Homologué suivant les réglementations européennes et les normes spécifiées au chapitre « 11. Réglementation et normes », ce produit doit être vérifié conforme à la réglementation de tout autre pays où il peut être utilisé, préalablement à sa mise en service, et son utilisation. Se conformer à cette réglementation.
16. Toute utilisation de ce produit avec des équipements complémentaires relayant ses signaux sur un système d'exploitation doit être précédée d'une analyse des risques spécifiques aux fonctions d'exploitation mises en œuvre, et toutes mesures adéquates doivent être prises en conséquence.

2. Définitions et pictogrammes

2.1. Définitions

Dans ce manuel, les termes suivants signifient :

« **Produit** » : Élément ou ensemble d'équipement décrit dans ce présent manuel livré complet en version standard, ou dans les différents modèles existants.

« **Installation** » : Ensemble de toutes les opérations nécessaires pour amener en état de mise en service (ou de connexion à d'autres éléments pour mise en service) le produit complet, à partir de l'état dans lequel il a été livré.

« **Superviseur** » : Personne ou service responsable de la gestion et de la sécurité d'utilisation du produit décrit dans ce manuel.

« **Technicien** » : Personne qualifiée et familière avec le produit, en charge des opérations de maintenance décrites et permises par le manuel.

« **Opérateur** » : Personne utilisant le produit dans le respect des instructions du présent manuel.

« **EM** » : Étendue de Mesure (pleine échelle).

« **CMU** » : Charge Maximale d'Utilisation.

2.2. Pictogrammes



« **DANGER** » : Placé au début d'un paragraphe, il indique les instructions destinées à éviter les blessures aux personnes, allant de blessures légères à mortelles, ainsi que les dommages environnementaux.



« **IMPORTANT** » : Placé au début d'un paragraphe, il indique les instructions destinées à éviter une défaillance, ou un dommage du produit, mais ne mettant pas directement en danger la vie ou la santé de l'opérateur ou celle d'autres personnes, et/ou étant susceptibles de nuire à l'environnement.



« **NOTE** » : Placé au début d'un paragraphe, il indique les précautions nécessaires à suivre pour assurer une installation, utilisation et maintenance efficaces et ergonomiques.



Placé sur le produit lui-même ou sur un de ses composants, il indique l'obligation de lecture du manuel d'utilisation et de maintenance.

3. Description et marquage

3.1. Présentation

Les dynafor™ Pro sont des capteurs d'effort de précision (0.2% EM) pour la mesure de forces et d'indication de charges. La gamme de capacité s'étend de 1 t à 250 t.

Le matériel est livré avec ses piles dans une valise* contenant :

- Le dynafor™ Pro.
- Son manuel d'installation, utilisation et maintenance.
- Son attestation d'ajustage.
- Sa déclaration de conformité CE.

*Pour les dynafor™ Pro de capacités 100t et 250t, le matériel est livré dans une caisse bois.

Attestation d'ajustage

Ce document, valable 1 an, atteste que le capteur a été ajusté, suivant une procédure interne Tractel®, sur un banc d'étalonnage dont le capteur étalon est raccordé à l'étalon Standard International.

Option : Certificat d'étalonnage ISO 376

Sur demande, le capteur peut être livré accompagné d'un certificat d'étalonnage ISO 376 jusqu'à 50t.

Ce document, d'une validité maximum de 26 mois, atteste que le produit a été étalonné suivant la Norme ISO 376, sur un banc d'étalonnage dont le capteur étalon est raccordé à l'étalon Standard International.

Les technologies mises en œuvre aux niveaux radio et logiciel offrent outre les utilisations traditionnelles attendues d'un dynamomètre, des possibilités de configurations multiples qui combinent plusieurs capteurs. Elles permettent aussi l'accès à des fonctions avancées parmi lesquelles : l'enregistrement, la gestion de seuils et le monitoring.

L'option liaison PC via un port USB ouvre la porte à la gestion et l'archivage de données.

Les différentes combinaisons possibles sont décrites au chapitre 4. Equipements associés.

3.2. Principe de fonctionnement

Le principe de fonctionnement du dynafor™ Pro est basé sur la mesure par jauges de contrainte de l'allongement, dans sa limite élastique, d'un corps métallique soumis à des efforts de traction.

Le produit opère dans toutes les directions.

3.3. Marquage

Voir figure 1

A	Anneau d'accrochage
B	Face avant
C	Témoin de fonctionnement
D	Capacité maximale du capteur
E	Corps du capteur
F	Modèle
G	Bouton marche / arrêt (M/A)
H	Plaque arrière
I	Vis de fixation de J
J	Couvercle du boîtier piles
K	Logement des piles (3 x "AA")
L	Fabricant
M	N° de série
N	QR code dirigeant vers la plateforme tractnfo contenant manuel, certificat ajustage et fiche technique

4. Equipements associés

Le produit est compatible avec les équipements suivants :

Accessoires de levage :

- Manille lyre
- Crochet tournant

Dynafor™	Manille lyre	Crochet tournant
Pro 1t	47916	40977 (type A)
Pro 3.2t	47916	40977 (type A)
Pro 6.5t	47926	105567 (type B)
Pro 15t	112427	113227 (type C)
Pro 25t	47946	51207 (type C)
Pro 50t	47956	Sur mesure
Pro 100t	38166	Sur mesure
Pro 250t	93106	Sur mesure

Pour les détails des accessoires de levage, se référer à la fiche technique, illustration des manille lyre en figure 2, et crochet tournant en figure 3.

Les accessoires de levage non préconisés par Tractel® doivent être correctement dimensionnés suivant les réglementations locales en vigueur.

Dispositifs d'affichage :

- Afficheur déporté dynafor™ HHD offrant de multiples fonctionnalités dont la lecture et la gestion de 4 capteurs jusqu'à une distance de 400m en champ libre.
Codes : 293609 lors d'un achat simultané avec un capteur dynafor™ Expert ou Pro
Code : 293449 lors d'un achat séparé
- Afficheur géant AL128 pour un affichage haute visibilité, hauteur des digits 128mm communiquant sans fil jusqu'à 200m en champ libre.
Code : 293489

Module de gestion des seuils de sécurité :

- dynafor™ monitoring unit (DMU) offrant les mêmes fonctionnalités que l'afficheur déporté dynafor™ HHD et permettant de piloter jusqu'à 5 relais.
Code : 293479

Logiciels :

- Loader software permettant le téléchargement des données enregistrées sur l'afficheur déporté dynafor™ HHD sur un ordinateur.
Code : 293509
- Monitoring software permet la visualisation, l'enregistrement et l'analyse en direct des valeurs de charges jusqu'à 8 capteurs. Nécessite l'afficheur déporté dynafor™ HHD.
Code : 68968
- dynafor™ App permettant de visualiser la valeur de la charge d'un capteur depuis un smartphone ou tablette par connexion Bluetooth jusqu'à 30m en champ libre. Disponible sur iOS et Android.

5. Utilisation



Le superviseur veillera à confier l'installation du produit à un technicien. Le superviseur s'assurera que l'opérateur ait pris connaissance du présent manuel d'installation, utilisation et maintenance avant d'utiliser le produit.

5.1. Mise en place des piles

Les 3 piles 1.5 V « AA » ont été installées en usine.

Retirer la languette isolante dépassant du compartiment piles pour activer celles-ci. Pour un futur remplacement des piles, référez-vous au chapitre 7.1. Remplacement des piles.

5.2. Installation

Lors de l'installation, il est impératif de :

1. S'assurer de la résistance suffisante du ou des points d'amarrage de la ligne de charge en fonction de la force qui sera appliquée.
2. S'assurer de la compatibilité des accessoires de levage des deux extrémités du produit et de leur conformité à la réglementation locale applicable.
3. Verrouiller correctement les manilles, en vissant à fond leur broche. Verrouiller correctement l'axe du crochet à chape avec sa goupille de sécurité. S'assurer de la présence et du bon état de fonctionnement du linguet de sécurité des crochets.
4. Laisser le produit s'aligner librement dans la ligne de force.
5. Vérifier la présence de piles en bon état dans le capteur.
6. Connecter le produit à l'afficheur déporté ou à un smartphone via l'application Tractel.

5.4.3. Informations données par la LED du capteur

MODE de fonctionnement du capteur	Clignotements des LED capteur	Mesures par secondes	Autonomie
Arrêt	Éteinte	-	-
Standard	1 flash par seconde	4 par seconde	300 h
Économique*	1 flash toutes les 4 secondes	1 toutes les 4 secondes	1000 h
Veille	1 flash toutes les 8 secondes	-	3000 h
Charge de crête	2 flashes par seconde	32 par seconde	100 h
Piles faibles	Identique aux modes séparés, mais une LED à la fois		-

*Par défaut en sortie d'usine, le passage en mode économique est automatique en cas de non variation de charge (10% de la CMU), pendant 5 minutes. Ce mode économique est réglable. Se référer au manuel de l'afficheur déporté dynafor™ HHD.

7. S'assurer de la bonne liaison radio entre le capteur et le boîtier d'affichage.

Utiliser le produit uniquement en traction.

Le produit peut être utilisé dans toutes les orientations y compris horizontalement.

Le produit fonctionne correctement dans une plage de température de -20°C à +50°C. Pour une utilisation au-delà de ces températures, vous devez prévoir une protection thermique du produit.

5.3. Mise en marche du Capteur

Toujours allumer le capteur avant d'allumer l'afficheur déporté, dans le cas contraire le afficheur déporté ne pourra pas établir la liaison radio.

Une légère impulsion sur le bouton M/A situé au centre de la membrane actionne l'interrupteur ON/OFF (voir figure 4, rep G)

Lors de la mise sous tension, les deux LED rouge se mettent à clignoter de manière simultanée

5.4. Fonction

5.4.1. Fonctionnement en configuration simple

La configuration simple consiste à utiliser un ensemble composé d'un seul capteur et d'un seul afficheur déporté, et/ou d'un seul capteur et un smartphone équipé de l'application dynafor™ App. Cet ensemble permet la mesure et l'affichage de l'effort au capteur.

5.4.2. Zéro automatique

A la mise en marche du dynafor™ Pro, le dispositif d'affichage associé indiquera « 0 » pour autant que l'effort mesuré soit inférieur à 10% de la CMU du produit.

5.4.4. Fonctionnement en configuration multiple et étendue



NOTE : Pour plus de détail se référer aux manuels de équipements associés définis au paragraphe 4. Equipements associés.

La configuration multiple consiste à associer jusqu'à quatre capteurs et un ou plusieurs dispositifs d'affichage. Les capteurs pouvant être de capacités différentes (pour plus de quatre capteurs l'option connexion PC est requise).

Pour certaines applications, il est utile de visualiser les mesures provenant de plusieurs capteurs sur un seul afficheur déporté dynafor™ HDD.

Exemple : Levage d'une charge avec un palonnier suspendu à deux treuils équipés chacun d'un capteur. Le regroupement des deux mesures d'effort sur un même afficheur déporté dynafor™ HDD permet à l'opérateur de visualiser les deux efforts et leur somme et de vérifier la bonne répartition de la charge entre les deux treuils.

Consulter Tractel® pour toute information complémentaire sur les configurations multiples

5.5. Eteindre le produit

Pour éteindre, maintenir sans pression excessive, le bouton M/A enfoncé pendant 2 secondes.

S'il ne subit pas de variation de charge, le produit se mettra automatiquement en veille après 20 minutes. Cette veille automatique permet de préserver les piles du capteur.

Le capteur se rallume automatique lorsqu'un dispositif d'affichage est de nouveau connecté.

Cette veille automatique est réglable. Se référer au manuel de l'afficheur déporté dynafor™ HDD.

5.6. Désinstallation

Lors de la désinstallation du produit, s'assurer préalablement de la suppression de tout effort de traction.

Procéder au nettoyage du produit et stockage selon les chapitres 7.2. Autres vérifications et 8. Transport et stockage.

6. Utilisations interdites

IL EST INTERDIT :

Voir figure 6

- D'utiliser le produit dans une ligne de levage de personnes sans avoir fait une analyse de risques spécifique.
- De modifier le produit.
- D'utiliser le produit au-delà de sa CMU avec un effort statique ou dynamique.
- De souder à l'arc avec le produit dans le circuit de masse.
- D'exposer le produit à tout choc électrique et/ou électromagnétique.
- De démonter ou d'ouvrir le produit.
- D'utiliser le produit pour des opérations autres que celles décrites dans ce manuel.
- D'utiliser le produit s'il y a risque qu'il soit soumis à des charges en compression, flexion ou torsion.
- D'empêcher l'alignement du produit dans la ligne de force.
- D'utiliser le produit dans un environnement fortement corrosif.
- D'utiliser le produit dans un environnement explosif.
- D'utiliser le produit hors de la plage de température de -20°C à 50°C.
- D'utiliser le produit s'il a subi un effort supérieur à 110% de la CMU.
- D'utiliser le produit s'il n'est pas en bon état apparent
- D'utiliser le produit si les marquages ne sont pas présents ou lisibles
- D'utiliser le produit avec des accessoires en acier inoxydable.

7. Entretien et vérification périodique

7.1. Remplacement des piles

Les LED situées au centre du bouton M/A du capteur clignotent l'une après l'autre lorsque les piles sont déchargées.

Un message d'alerte est également présent sur l'afficheur déporté. Procéder alors à leur remplacement.

- À l'aide d'un tournevis cruciforme, démonter le couvercle du boîtier de piles.
- Remplacer les 3 piles 1.5 V « AA » par des piles neuves en respectant les polarités.
- Replacer le couvercle du boîtier de piles et serrer les vis de fixation de façon à ce que le couvercle soit affleurant avec le bord du boîtier de piles.

7.2. Autres vérifications

Tractel® préconise une vérification périodique du bon état apparent du produit et d'un nettoyage régulier du capteur à l'aide d'un chiffon sec.

Tractel® préconise également un réétalonnage annuel (ajustage voir chapitre 3.1 Présentation) avant expiration du certificat en cours de validité.

Tractel® peut réaliser ces prestations sur demande.

8. Transport et stockage

Pendant son stockage et/ou son transport, le produit doit être :

- Mis dans son emballage d'origine, ses piles retirées
- Conservé au sec
- Conservé à une température comprise entre -20°C et 60°C
- Protégé contre les agressions chimiques, mécaniques ou tous autres types d'agressions.

9. Mise au rebut et protection environnementale

Toute mise au rebut du produit doit être réalisée conformément à la réglementation en vigueur dans le pays d'utilisation.

Le produit est conforme aux exigences de la réglementation REACH et de la directive RoHS, le produit ne relève pas de la directive «DEEE».

Il est obligatoire de recycler les différents composants du produit selon le tableau ci-dessous, par un tri des matières métalliques et synthétiques. Ces matériaux doivent être recyclés auprès d'organismes spécialisés.

Lors de la mise au rebut, le démontage, pour la séparation des composants, doit être réalisé par une personne compétente.

Composant	A traiter comme un déchet de type
Corps du produit	Aluminium
Boîtier électronique (plastique)	Déchets banaux
Carte électronique et afficheur	Electronique
Piles	Accumulateur

10. Spécifications techniques

Modèle		Pro 1	Pro 3.2	Pro 6.5	Pro 15	Pro 25	Pro 50	Pro 100	Pro 250
CMU	t	1	3,2	6,5	15	25	50	100	250
Coefficient de sécurité		> 4							
Précision	+/- %	0,2 % EM à 21 °C							
	+/- kg	2	6,4	13	30	50	100	200	500
Résolution	kg	0,2	0,5	1	5	10	20	50	100
Fréquence de mesure	Hz	4 Hz – 32 Hz en mode charge de crête – 1Hz en mode économique							
Affichage maxi	%	110 % de la CMU							
Autonomie	h	300 à 1000 suivant usage							
Technologie RF (radio fréquence)		2,4 GHz - 2,4835 GHz propriétaire, portée jusqu'à 400 m en champ libre							
Puissance radioélectrique RF	dBm	9,5							
Technologie Bluetooth		BLE 4.0 (2,4 GHz - 2,4835 GHz), portée jusqu'à 30 m en champ libre							
Puissance radioélectrique BLE	dBm	7,71							
Poids	kg	0,70	0,86	1,60	3,66	5,33	11,45	27,48	97,98
Protection IP		IP 64 (IP 67 en option)							
Température d'utilisation	°C	-20 °C à +50 °C							
Matériau du capteur		Aluminium				Haute Résistance Aluminium			
Piles		3x AA							
Dimensions (voir figure 5)									
A	mm	216	216	248	319	357	446	559	797
B		192,8	193,8	214,1	269,8	301,6	371,2	454,2	609,1
C		21,5	21,5	28,8	46,5	57,4	78,8	107,6	162,1
D		79	92	113	119	132	152	196	329
E		23	23	32	51	61	90	129	180
G		39	39	39	62	65	91	133,5	Unrelevant

11. Règlementation et normes

Le produit décrit dans ce manuel est conforme aux :

Normes européennes

Directive Machines 2006/42/CE
Directive RED 2014/53/UE

Référence des normes Radio
EN300440 V2.1.1
EN300328 V2.2.2
ETSI 203367 V1.1.0

Référence des normes Santé
EN62479 (2010)

Référence des normes CEM
EN61326-1 (2013)
EN301 489- 1 & 17

Référence des normes Sécurité électrique
IEC/EN61010-1 (Amd 1 Ed 3)

Norme Australienne et Nouvelle Zélande

Référence des normes Sécurité électrique
AS/NZ61010-1

Norme Russe

Référence des normes CEM et sécurité électrique
Règlement technique CU TR 020/2011

Norme internationale

IEC 61326-1 Ed.2 : 2012
IEC 61311 : 2007

Normes Etats-Unis et Canada

Référence des normes Radio :
FCC part 15
RSS-GEN & RSS-210

Référence des normes CEM
FCC part 15
ICES-003

NOTE : Cet équipement a été testé et jugé conforme aux limites d'un appareil numérique de classe A, conformément à la partie 15 des règles de la FCC. Ces limites sont conçues pour fournir une protection raisonnable contre les interférences nuisibles lorsque l'équipement est utilisé dans un environnement commercial. Cet équipement génère, utilise, et peut émettre des ondes radios, s'il n'est pas installé et utilisé conformément au manuel d'instructions, peut causer des interférences nuisibles aux radiocommunications. Le fonctionnement de ces équipements dans une zone résidentielle est susceptible de provoquer l'interférence nuisible, auquel cas l'utilisateur sera tenu de corriger l'interférence à ses propres frais.

NOTE : Le présent produit est conforme aux CNR d'Industrie Canada applicables aux appareils radio exempts de licence. L'exploitation est autorisée aux deux conditions suivantes : (1) il ne doit pas produire de brouillage, et (2) l'utilisateur du dispositif doit être prêt à accepter tout brouillage radioélectrique reçu, même si ce brouillage est susceptible de compromettre le fonctionnement du dispositif.

Conformément à la réglementation d'Industrie Canada, le présent émetteur radio peut fonctionner avec une antenne d'un type et d'un gain maximal (ou inférieur) approuvé pour l'émetteur par Industrie Canada.

Dans le but de réduire les risques de brouillage radioélectrique à l'intention d'autres utilisateurs, il faut choisir le type d'antenne et son gain de sorte que la puissance isotrope rayonnée équivalente (p.i.r.e.) ne dépasse pas l'intensité nécessaire à l'établissement d'une communication satisfaisante.

12. Anomalie de fonctionnements et remèdes

Anomalies	Causes possibles	Remèdes
Le capteur ne s'allume pas	Piles déchargées.	Remplacer les piles.
	Électronique défectueuse.	Contacter Tractel®
Cignotement de la LED du capteur à 4 hertz. (4 fois par seconde)	Pas de communication entre le capteur et sa carte électronique.	Contacter Tractel®

Pour toutes autres anomalies liées à l'afficheur déporté, se reporter au manuel de celui-ci.

13. Certificat de conformité

Copie de la déclaration de conformité en annexe

Inhalt

1. Wichtige Anweisungen	20
2. Definitionen und Piktogramme	21
2.1. Definitionen.....	21
2.2. Piktogramme.....	21
3. Beschreibung und Kennzeichnung.....	21
3.1. Präsentation.....	21
3.2. Funktionsprinzip.....	22
3.3. Produktkennzeichnungen	22
4. Zugehörige Ausrüstung	22
5. Einsatz.....	23
5.1. Einlegen der Batterien	23
5.2. Installation.....	23
5.3. Sensor hochfahren	23
5.4. Funktionen.....	23
5.4.1. Bedienung in Basiskonfiguration	23
5.4.2. Automatisches Nullsetzen	23
5.4.3. Informationen aus Sensor-LED	23
5.4.4. Bedienung in Mehrfach- und erweiterter Konfiguration	24
5.5. Ausschalten des Produkts	24
5.6. Deinstallation	24
6. Anwendungsverbote	24
7. Wartung und regelmäßige Prüfung	24
7.1. Batterieaustausch	24
7.2. Andere Überprüfungen	25
8. Transport und Lagerung	25
9. Produktentsorgung und Umweltschutz.....	25
10. Technische Daten	26
11. Vorschriften und Normen	26
12. Fehlerbehebung	27
13. Konformitätserklärung	27

1. Wichtige Anweisungen

- Es ist unerlässlich, dass Sie vor der Installation und Verwendung dieses Produkts diese Anleitung lesen und die darin aufgeführten Anweisungen für eine sichere und effiziente Verwendung befolgen. Allen Bedienern muss ein Exemplar dieser Anleitung zur Verfügung stehen. Weitere Exemplare sind auf Anfrage bei Tractel® erhältlich.
- Verwenden Sie dieses Produkt nicht, wenn eine der angebrachten Kennzeichnungen oder ein Zubehörteil oder eine der Markierungen auf dem Produkt (am Ende dieses Handbuchs gezeigt) nicht mehr vorhanden oder nicht lesbar sind. Identische Kennzeichnungen sind auf Anfrage bei Tractel® erhältlich und müssen angebracht werden, bevor dieses Produkt weiter verwendet werden kann.
- Vergewissern Sie sich, dass alle Benutzer dieses Produkts mit seinem Betrieb vertraut und in der Lage sind, die Sicherheitsanforderungen für die auszuführende Aufgabe anzuwenden. Alle Benutzer müssen Zugriff auf diese Anleitung haben. Schützen Sie Ihr Gerät vor unbeaufsichtigter Handhabung.
- Dieses Produkt muss unter Bedingungen installiert und in Betrieb genommen werden, die die Sicherheit des Monteurs in Übereinstimmung mit den anwendbaren lokalen Verordnungen garantieren.
- Prüfen Sie vor jeder Verwendung dieses Produkts dessen Zustand sowie den Zustand eventueller Zubehörteile. Verwenden Sie niemals ein Produkt, das nicht in einwandfreiem Zustand zu sein scheint.
- Geben Sie das Produkt zur Wartung an den Hersteller zurück, wenn sichtbare Probleme oder Bedienungsprobleme auftreten, die nichts mit der Batterie zu tun haben.
- Schützen Sie das Produkt vor Schlagschäden.
- Dieses Produkt darf ausschließlich gemäß dieser Anleitung verwendet werden. Es darf nicht für Lasten über der auf dem Produkt angegebenen sicheren Arbeitslast verwendet werden. Es darf nicht in einer Umgebung mit Explosionsgefahr eingesetzt werden.
- Bevor dieses Produkt in einem Fahrsystem eingesetzt wird, muss der Sicherheitsbeauftragte zunächst die Einhaltung der für die Sicherheit der Mitarbeiter erforderlichen Nutzungskoeffizienten sowie allgemein die Erfüllung der Sicherheitsvorschriften prüfen, die für die Lastlinie gelten, in der es verwendet wird.
- Tractel® übernimmt keine Haftung, wenn das Produkt in einer Konfiguration verwendet wird, die nicht in diesem Handbuch beschrieben ist.
- Jegliche Modifizierung dieses Produkts ohne die Genehmigung von Tractel® oder jegliche Entfernung eines Komponententeils enthebt Tractel® jeglicher Haftung.

12. Jegliche Demontage dieses Produkts, die in dieser Anleitung nicht beschrieben ist, oder Reparaturen, die von Tractel® nicht genehmigt wurden, entheben Tractel® jeglicher Haftung, insbesondere, wenn Originalteile durch andere Teile aus einer anderen Quelle ersetzt werden.
13. Ein dynafor™ Dynamometer ist ein Hebezubehörteil, und die für diese Ausrüstungskategorie geltenden Sicherheitsvorschriften müssen beachtet werden.
14. Wenn das Produkt schließlich außer Betrieb genommen wird, muss es so verschrottet werden, dass es nicht mehr verwendet werden kann. Halten Sie die Umweltschutzverordnungen ein.
15. Dieses Produkt wurde gemäß den europäischen Vorschriften und Normen genehmigt, die im Abschnitt „11. Vorschriften und Normen“ aufgeführt sind, und muss vor einer eventuellen Inbetriebnahme und Verwendung in einem anderen Land daraufhin geprüft werden, ob es die Vorschriften dieses Landes einhält. Halten Sie diese Vorschriften ein.
16. Vor jeglicher Verwendung dieses Produkts mit zusätzlicher Ausrüstung, mithilfe derer die Signale an ein Betriebssystem weitergeleitet werden, muss eine spezifische Risikoanalyse für die genutzten Betriebsfunktionen durchgeführt und dementsprechend alle angemessenen Maßnahmen ergriffen werden.

2. Definitionen und Piktogramme

2.1. Definitionen

In dieser Anleitung haben die folgenden Begriffe die unten angegebene Bedeutung:

„**Produkt**“: Artikel oder Geräte, die in diesem Handbuch beschrieben sind und komplett in der Standardausführung oder in den verschiedenen existierenden Modellvarianten geliefert werden.

„**Installation**“: Alle erforderlichen Vorgänge, um das vollständige Produkt vom Zustand, in dem es geliefert wurde, in einen Zustand der Inbetriebnahme (oder des Anschlusses an andere Elemente zur Inbetriebnahme) zu versetzen.

„**Sicherheitsbeauftragter**“: Person oder Organisation, die für die Verwaltung und sichere Verwendung des in diesem Handbuch beschriebenen Produkts verantwortlich ist.

„**Sachkundiger**“: Qualifizierte Person, die mit dem Produkt vertraut und für die in diesem Handbuch beschriebenen und erlaubten Wartungsarbeiten zuständig ist.

„**Bediener**“: Person, die das Produkt in Übereinstimmung mit den Empfehlungen für den Gebrauch in diesem Handbuch verwendet.

„**MR**“ (**MEASUREMENT RANGE**): Der (vollständige) Messbereich.

„**SWL**“ (**SAFE WORKING LOAD**): Die sichere Arbeitslast.

2.2. Piktogramme



„**GEFAHR**“: Wenn dies am Anfang eines Absatzes steht, wird auf Anweisungen zur Vermeidung von geringfügigen bis tödlichen Verletzungen sowie Umweltschäden hingewiesen.



„**WICHTIG**“: Wenn dies am Anfang eines Absatzes steht, wird auf Anweisungen zur Vermeidung von Produktausfällen oder -schäden hingewiesen, die das Leben oder die Gesundheit von Bedienern oder anderen Personen nicht direkt gefährden und/oder die Umwelt schädigen können.



„**HINWEIS**“: Wenn dies am Anfang eines Absatzes steht, wird auf die notwendigen Vorsichtsmaßnahmen hingewiesen, die für eine effiziente und ergonomische Installation, Anwendung und Wartung gelten.



Wenn dies auf dem Produkt selbst oder einer Produktkomponente angebracht ist, wird auf die Notwendigkeit hingewiesen, die Betriebs- und Wartungsanleitung zu lesen.

3. Beschreibung und Kennzeichnung

3.1. Präsentation

dynafor™ Pro sind Präzisions-Kraftsensoren (0,2 % MR) zum Messen von Kräften und zur Angabe von Lasten. Die Tragfähigkeit reicht von 1 t bis 250 t.

Das Produkt wird zusammen mit den entsprechenden Batterien in einem Behälter* geliefert, der Folgendes enthält:

- Den dynafor™ Pro
- Das zugehörige Installations-, Betriebs- und Wartungshandbuch
- Das Einstellungszertifikat
- Die CE-Konformitätserklärung

* Bei dynafor™ Pro mit Tragfähigkeiten von 100 t und 250 t wird das Material in einer Holzkiste geliefert.

Einstellungszertifikat

Dieses Dokument ist ein Jahr lang gültig und zertifiziert, dass der Sensor unter Verwendung eines internen Tractel®-Verfahrens auf einer Kalibrierbank mit einem Standardsensor gemäß den internationalen Normen justiert wurde.

Option: Kalibrierungszertifikat ISO 376

Auf Anfrage kann der Sensor mit einem Kalibrierungszertifikat ISO 376 bis zu 50 t geliefert werden.

Mit dem Dokument, das bis zu 26 Monate lang gültig ist, wird zertifiziert, dass das Produkt gemäß ISO 376 kalibriert wurde, und zwar auf einer Kalibrierbank, deren Standardsensor gemäß internationaler Norm angeschlossen ist.

Die integrierten Technologien im Bereich Funk und Software bieten neben den üblichen Anwendungsbereichen für Dynamometer mehrere Optionen zur Konfiguration mehrerer verbundener Sensoren. Außerdem besteht Zugriff auf erweiterte Funktionen, z. B. Aufzeichnung, Schwellenwertverwaltung und Überwachung.

Über die optionale PC-Verbindung per USB bestehen Möglichkeiten zur Datenverwaltung und Archivierung.

Die verschiedenen Kombinationen werden in Kapitel 4. Zugehörige Ausrüstung associés beschrieben.

3.2. Funktionsprinzip

Das Funktionsprinzip des dynafor™ Pro basiert auf der Dehnungsmessung mithilfe von Dehnmessstreifen innerhalb der elastischen Grenzen eines Metallkörpers, der Zugspannung unterworfen ist.

Das Produkt funktioniert in alle Richtungen.

3.3. Produktkennzeichnungen

Siehe Abb. 1.

A	Befestigungsring
B	Frontelement
C	Betriebsanzeige
D	Maximale Sensorkapazität
E	Sensorkörper
F	Modell
G	Schalter Ein/Aus (Start/Stop)
H	Rückplatte
I	Befestigungsschraube der Abdeckung
J	Abdeckung des Batteriefachs
K	Batteriefach (3 x AA)
L	Name des Herstellers
M	Seriennummer
N	QA-Code mit Link zur Plattform „tracinfo“. Dort finden Sie Handbuch, Einstellungszertifikat und Datenblatt.

4. Zugehörige Ausrüstung

Das Produkt ist mit folgender Ausrüstung kompatibel:

Hebeausrüstung:

- Geschweißter Schäkel
- Wirbelhaken

Dynafor™	Geschweißter Schäkel	Wirbelhaken
Pro 1 t	47916	40977 (Typ A)
Pro 3,2 t	47916	40977 (Typ A)
Pro 6,5 t	47926	105567 (Typ B)
Pro 15 t	112427	113227 (Typ C)
Pro 25 t	47946	51207 (Typ C)
Pro 50 t	47956	Benutzerdefiniert
Pro 100 t	38166	Benutzerdefiniert
Pro 250 t	93106	Benutzerdefiniert

Einzelheiten zu Hebeausrüstung finden Sie in den Datenblättern und der Darstellung zu geschweißten Schäkeln in Abbildung 2 sowie zu Wirbelhaken in Abbildung 3.

Nicht von Tractel® empfohlene Hebeausrüstung muss korrekt gemäß den geltenden lokalen Regelungen dimensioniert werden.

Anzeigegeräte:

- Die Remote-Anzeigeeinheit dynafor™ HHD verfügt über diverse Funktionen, u. a. Ablesung und Verwaltung von 4 Sensoren bis zu einer Entfernung von 400 m unter freiem Himmel.
Codes: 293609 bei gleichzeitigem Kauf des Sensors dynafor™ Expert oder Pro
Code: 293449 bei Einzelkauf
- Große Anzeigeeinheit AL128 für gute Ablesbarkeit, 128 mm hohe Ziffern mit drahtloser Kommunikation bis zu 200 m unter freiem Himmel
Code: 293489

Management-Modul für Sicherheitsschwellenwerte:

- dynafor™-Überwachungseinheit mit denselben Funktionen wie Remote-Anzeigeeinheit dynafor™ HHD und Steuerung für bis zu 5 Relais
Code: 293479

Software:

- Loader-Software zum Herunterladen der Daten, die mit der Remote-Anzeigeeinheit dynafor™ HDD aufgezeichnet wurden, auf einen Computer
Code: 293509
- Überwachungssoftware zur Anzeige, Aufzeichnung und Live-Analyse der Lastwerte für bis zu 8 Sensoren. Remote-Anzeigeeinheit dynafor™ HDD erforderlich
Code: 68968

- dynafor™-App zur Anzeige der Lastwerte eines Sensors auf einem Smartphone oder Tablet über Bluetooth in bis zu 30 m unter freiem Himmel. Erhältlich für iOS und Android

5. Einsatz



Der Sicherheitsbeauftragte muss sicherstellen, dass ein Sachkundiger mit der Installation des Produkts beauftragt wird. Der Sicherheitsbeauftragte muss sich vergewissern, dass der Bediener diese Installations-, Betriebs- und Wartungsanleitung gelesen hat, bevor er das Produkt verwendet.

5.1. Einlegen der Batterien

Die drei 1,5-V-AA-Batterien wurden werksseitig eingelegt.

Entfernen Sie die Isolierlasche, die aus dem Batteriefach herausragt, um die Batterien zu aktivieren. Für einen nachfolgenden Batterieaustausch finden Sie die entsprechenden Informationen in Abschnitt 7.1. Batterieaustausch.

5.2. Installation

Während der Installation ist Folgendes absolut notwendig:

1. Stellen Sie sicher, dass der/die Anschlagpunkt(e) der Lastlinie stark genug für die anzuwendende Kraft ist/sind.
2. Stellen Sie sicher, dass die Hebeausrüstung an beiden Enden des Produkts kompatibel ist und den geltenden lokalen Vorschriften entspricht.
3. Arretieren Sie die Schäkel durch vollständiges Einschrauben des Stiftes. Der Stift des Lasthakens muss ordnungsgemäß mit dem Sicherungsstift arretiert sein. Stellen Sie sicher, dass die Sicherheitslasche des Hakens vorhanden ist und ordnungsgemäß funktioniert.
4. Das Produkt muss sich von allein in der Kraftlinie ausrichten.
5. Batterien im Sensor müssen vorhanden und in gutem Zustand sein.

5.4.3. Informationen aus Sensor-LED

Betriebsmodus des Sensors	Sensor-LED blinkt	Messungen pro Sekunde	Batterielebensdauer
Stopp	Aus	–	–
Standard	blinkt 1 Mal pro Sekunde	4 pro Sekunde	300 h
Spar*	blinkt 1 Mal alle 4 Sekunden	1 Mal alle 4 Sekunden	1.000 h
Ruhe	blinkt 1 Mal alle 8 Sekunden	–	3.000 h
Spitzenlast	blinkt 2 Mal pro Sekunde	32 pro Sekunde	100 h
Batterien leer	Wie in den o. g. Modi, nur mit je einer LED		–

* Gemäß Standardeinstellung ab Werk wird automatisch in den Sparmodus gewechselt, wenn 5 Minuten lang keine Lastveränderung (10 % der SWL) eintritt. Der Ruhemodus ist individuell einstellbar. Siehe Handbuch der Remote-Anzeigeeinheit dynafor™ HDD.

6. Verbinden Sie das Produkt über die Tractel-App mit der Remote-Anzeigeeinheit oder einem Smartphone.

7. Zwischen Sensor und Anzeigekasten muss eine stabile Funkverbindung bestehen.

Verwenden Sie das Produkt ausschließlich mit Zugkraft.

Das Produkt kann in alle Richtungen eingesetzt werden, einschließlich horizontal.

Das Produkt funktioniert zufriedenstellend in einem Temperaturbereich von -20 °C bis +50 °C. Für den Einsatz außerhalb dieses Bereichs muss es über einen Wärmeschutz verfügen.

5.3. Sensor hochfahren

Schalten Sie immer zuerst den Sensor und erst dann die Remote-Anzeigeeinheit ein, ansonsten kann die Remote-Anzeigeeinheit keine Funkverbindung aufbauen.

Durch leichtes Drücken des Schalters Start/Stopp in der Mitte der Membran wird der EIN/AUS-Schalter aktiviert. (Siehe Abb. 4., Element G.)

Wenn das Gerät eingeschaltet ist, blinken die beiden roten LED gleichzeitig.

5.4. Funktionen

5.4.1. Bedienung in Basiskonfiguration

Die Basiskonfiguration besteht aus einem Set aus einem einzelnen Sensor mit einer einzelnen Remote-Anzeigeeinheit bzw. einem einzelnen Sensor und einem Smartphone, auf dem die dynafor™-App läuft. Ein solches Set misst die Kraft am Sensor und zeigt das Ergebnis an.

5.4.2. Automatisches Nullsetzen

Wenn der dynafor™ Pro eingeschaltet wird, steht auf der Anzeige „0“, wenn die gemessene Kraft weniger als 10 % der SWL des Produkts beträgt.

5.4.4. Bedienung in Mehrfach- und erweiterter Konfiguration



HINWEIS: Weitere Informationen entnehmen Sie bitte den jeweiligen Ausrüstungshandbüchern, siehe Absatz 4. Zugehörige Ausrüstung.

Die Mehrfachkonfiguration besteht aus der Verbindung von bis zu vier Sensoren mit einem oder mehr Anzeigegeräten. Die Sensoren können unterschiedliche Kapazitäten haben. (Bei mehr als vier Sensoren ist eine PC-Verbindung erforderlich.)

Bei manchen Anwendungen ist es hilfreich, die Messungen von verschiedenen Sensoren auf einer einzelnen Remote-Anzeigeeinheit dynafor™ HDD abzubilden.

Beispiel: Anheben einer Last mit einer Spreizstange über zwei Winden, von denen jede mit einem Sensor ausgestattet ist. Die Zusammenführung der beiden Kraftmessungen auf einer einzelnen Remote-Anzeigeeinheit dynafor™ HDD ermöglicht es dem Bediener, jede der Kräfte und ihren Gesamtwert zu sehen und zu prüfen, ob die Last zwischen beiden Winden ordnungsgemäß verteilt ist.

Wenden Sie sich für weitere Informationen über Mehrfachkonfigurationen an Tractel®.

5.5. Ausschalten des Produkts

Halten Sie zum Ausschalten des Produkts den Start/ Stopp-Schalter 2 Sekunden lang leicht gedrückt.

Wenn sich die Last nicht ändert, wird das Produkt nach 20 Minuten automatisch in den Ruhemodus versetzt. Dadurch wird die Batterielaufzeit des Sensors verlängert.

Der Sensor wird automatisch wieder aktiviert, wenn ein Anzeigegerät angeschlossen wird.

Dieser automatische Ruhemodus kann individuell eingestellt werden. Siehe Handbuch der Remote-Anzeigeeinheit dynafor™ HDD.

5.6. Deinstallation

Beim Deinstallieren des Produkts muss sichergestellt werden, dass zuvor alle Zugkräfte entfernt wurden.

Reinigen Sie das Produkt und lagern Sie es gemäß den Abschnitten 7.2. Andere Überprüfungen und 8. Transport und Lagerung.

6. Anwendungsverbote

FOLGENDE ANWENDUNGEN SIND VERBOTEN:

Siehe Abb. 6.

- Verwenden des Produkts in einem Fahrsystem, ohne zuerst eine spezifische Risikoanalyse durchgeführt zu haben.
- Modifizieren des Produkts.
- Verwenden des Produkts über die SWL hinaus mit statischen oder dynamischen Kräften.
- Lichtbogenschweißen mit dem Produkt im Erdungskreis.
- Das Produkt einem Elektro- oder elektromagnetischen Schock aussetzen.
- Auseinanderbauen oder Öffnen des Produkts.
- Verwenden des Produkts auf andere Weise als in diesem Handbuch beschrieben.
- Verwenden des Produkts, wenn ein Risiko besteht, dass es Druck-, Biege- oder Torsionslasten ausgesetzt ist.
- Verhindern, dass das Produkt in der Kraftlinie ausgerichtet ist.
- Verwenden des Produkts in einer hochkorrosiven Umgebung.
- Verwenden des Produkts in einer Umgebung mit Explosionsgefahr.
- Verwenden des Produkts außerhalb des Temperaturbereichs von -20 °C bis +50 °C.
- Verwenden des Produkts, wenn es einer Kraft über 110 % seiner SWL ausgesetzt war.
- Verwenden des Produkts, wenn es nicht in einwandfreiem Zustand zu sein scheint.
- Verwenden des Produkts, wenn die Produktkennzeichnungen fehlen oder nicht mehr lesbar sind.
- Verwenden des Produkts mit Zubehör aus Edelstahl.

7. Wartung und regelmäßige Prüfung

7.1. Batterieaustausch

Die LEDs in der Mitte des Start/Stopp-Schalters des Sensors blinken nacheinander, wenn die Batterien leer sind.

Außerdem wird auf der Remote-Anzeigeeinheit eine Warnmeldung angezeigt. Die Batterien müssen ausgetauscht werden.

- Entfernen Sie mithilfe eines Kreuzschlitzschraubendrehers die Abdeckung des Batteriebaus.
- Ersetzen Sie die drei 1,5-V-AA-Batterien durch neue und achten Sie dabei auf die Polung.

- Bringen Sie die Batteriefachabdeckung erneut an und ziehen Sie die Befestigungsschrauben so fest, dass die Abdeckung mit der Kante des Batteriefachs bündig ist.

7.2. Andere Überprüfungen

Tractel® empfiehlt eine regelmäßige Sichtprüfung des Produkts und die regelmäßige Reinigung des Sensors mit einem trockenen Tuch.

Tractel® empfiehlt außerdem die jährliche Neukalibrierung (weitere Informationen zur Justierung finden Sie im Abschnitt 3.1. Präsentation), bevor das gültige Zertifikat abläuft.

Tractel® kann diese Dienste auf Anfrage bereitstellen.

8. Transport und Lagerung

Während Lagerung und/oder Transport gilt Folgendes: Das Produkt muss:

- In seiner Originalverpackung verpackt sein und darf keine Batterien enthalten
- Trocken gelagert werden
- Bei einer Temperatur zwischen -20 °C und +60 °C gelagert werden
- Vor chemischen, mechanischen oder anderen Einflüssen geschützt werden

9. Produktentsorgung und Umweltschutz

Das Produkt muss gemäß den im Einsatzland geltenden Vorschriften entsorgt werden.

Das Produkt erfüllt die Anforderungen der REACH-Verordnung und der RoHS-Richtlinie. Es fällt nicht unter die WEEE-Richtlinie.

Die verschiedenen Produktbauteile müssen auf Grundlage der untenstehenden Tabelle recycelt werden, nachdem metallische und synthetische Materialien getrennt wurden. Diese Materialien müssen von darauf spezialisierten Unternehmen recycelt werden.

Bei der Entsorgung dürfen nur geschulte Fachkräfte das Produkt demontieren, um seine Bauteile zu trennen.

Bauteil	Muss als folgende Abfallart behandelt werden
Produktgehäuse	Aluminium
Elektronikgehäuse (Kunststoff)	Restmüll
Leiterplatte und Anzeige	Elektronik
Batterien	Akkumulatoren

10. Technische Daten

Modell		Pro 1	Pro 3.2	Pro 6.5	Pro 15	Pro 25	Pro 50	Pro 100	Pro 250
SWL	t	1	3,2	6,5	15	25	50	100	250
Sicherheitskoeffizient		>4							
Genauigkeit	+/- %	0,2 % EM bei 21 °C							
	+/- kg	2	6,4	13	30	50	100	200	500
Auflösung	kg	0,2	0,5	1	5	10	20	50	100
Messfrequenz	Hz	4 Hz–32 Hz im Spitzenlastmodus – 1 Hz im Sparmodus							
Max. Anzeige	%	110 % der SWL							
Batterielebensdauer	h	300 bis 1.000, je nach Nutzungsintensität							
Funkfrequenztechnologie		2,4 GHz–2,4835 GHz proprietär, Reichweite bis zu 400 m unter freiem Himmel							
Funkfrequenz-Ausgangsleistung		dBm 9,5							
Bluetooth-Technologie		BLE 4.0 (2,4 GHz–2,4835 GHz), Reichweite bis zu 30 m unter freiem Himmel							
BLE-Ausgangsleistung		dBm 7,71							
Gewicht	kg	0,70	0,86	1,60	3,66	5,33	11,45	27,48	97,98
IP-Schutzart		IP 64 (optional IP 67)							
Betriebstemperatur		°C -20 °C bis +50 °C							
Sensormaterial		Aluminium				Hochfestes Aluminium			
Batterien		3 x AA							
Abmessungen (siehe Abb. 5)									
A	mm	216	216	248	319	357	446	559	797
B		192,8	193,8	214,1	269,8	301,6	371,2	454,2	609,1
C		21,5	21,5	28,8	46,5	57,4	78,8	107,6	162,1
D		79	92	113	119	132	152	196	329
E		23	23	32	51	61	90	129	180
G		39	39	39	62	65	91	133,5	Nicht von Bedeutung

11. Vorschriften und Normen

Das in diesem Handbuch beschriebene Produkt erfüllt folgende Vorschriften und Normen:

Europäische Normen

Maschinenrichtlinie 2006/42/EG
Richtlinie 2014/53/EU (RED)

Verweise auf Funknormen
EN300440 V2.1.1
EN300328 V2.2.2
ETSI 203367 V1.1.0

Verweise auf Gesundheitsnormen
EN62479 (2010)

Verweise auf EMV-Normen
EN61326-1 (2013)
EN301 489- 1 & 17

Verweise auf elektrische Sicherheitsnormen
IEC/EN61010-1 (Erg. 1 Ausg. 3)

Australische und neuseeländische Normen

Verweise auf elektrische Sicherheitsnormen
AS/NZ61010-1

Russische Normen

Verweise auf EMV- und elektrische Sicherheitsnormen
Technische Vorschrift CU TR 020/2011

Internationale Normen

IEC 61326–1 Ausg. 2: 2012
IEC 61311: 2007

Amerikanische und kanadische Normen

Verweise auf Funknormen
FCC section 15
RSS-GEN & RSS-210

Verweise auf EMV-Normen
FCC section 15
ICES-003

HINWEIS: Diese Ausrüstung wurde geprüft und gemäß Abschnitt 15 der FCC-Richtlinien für konform mit den Grenzwerten für Class A-Digitalgeräte befunden. Diese Grenzwerte wurden festgelegt, um hinreichenden Schutz gegen schädliche Interferenzen zu bieten, wenn die Ausrüstung gewerblich genutzt wird. Diese Ausrüstung erzeugt und nutzt Funkwellen und kann diese auch ausstrahlen. Wird es nicht gemäß der Anleitung in diesem Handbuch installiert und verwendet, kann es die Funkkommunikation stören. Der Betrieb dieser Ausrüstung in Wohngebieten verursacht wahrscheinlich schädliche Interferenzen. Ist das der Fall, muss der Benutzer die Interferenzen auf eigene Kosten beseitigen.

HINWEIS: Dieses Produkt ist konform mit der RSS von Industry Canada für Funkausrüstung ohne Lizenzpflicht. Die Ausrüstung darf unter Einhaltung der folgenden beiden Voraussetzungen betrieben werden:

(1) Sie darf keine Interferenzen verursachen, und (2) der Benutzer des Gerätes muss auf die Aufnahme von Funkinterferenzen vorbereitet sein, auch wenn solche Interferenzen den Betrieb des Gerätes vermutlich beeinträchtigen.

Gemäß Richtlinien von Industry Canada darf dieser Funksender mit einer Antenne betrieben werden, deren Typ und maximale Verstärkung (bzw. weniger) von Industry Canada für den Sender genehmigt wurde.

Um die Gefahren von Funkinterferenzen für andere Benutzer zu mindern, ist die Antenne in Typ und Verstärkung so auszuwählen, dass die äquivalente isotrope Strahlungsleistung (EIRP) nicht die für eine ausreichende Kommunikation erforderliche Intensität übersteigt.

12. Fehlerbehebung

Probleme	Mögliche Ursachen	Maßnahmen
Sensor lässt sich nicht einschalten	Batterien sind leer.	Tauschen Sie die Batterien aus.
	Defekte Elektronik.	Kontaktieren Sie Tractel®.
Sensor-LED blinkt bei 4 Hz (4 Mal pro Sekunde)	Keine Kommunikation zwischen Sensor und Leiterplatte.	Kontaktieren Sie Tractel®.

Informationen zu sonstigen Problemen mit der Remote-Anzeigeeinheit finden Sie im Handbuch.

13. Konformitätserklärung

Eine Kopie der Konformitätserklärung finden Sie im Anhang

Inhoud

1. Prioriteitsinstructies	28
2. Definities en pictogrammen	29
2.1. Definities	29
2.2. Pictogrammen	29
3. Beschrijving en markeringen	29
3.1. Presentatie	29
3.2. Werkingsprincipe	30
3.3. Markeringen	30
4. Bijbehorende apparatuur	30
5. Gebruik	31
5.1. De batterijen plaatsen	31
5.2. Installatie	31
5.3. De sensor opstarten	31
5.4. Functies	31
5.4.1. Operatie in de basisconfiguratie	31
5.4.2. Automatisch op nul instellen	31
5.4.3. Informatie die wordt verschaft door de sensor-LED	32
5.4.4. Operatie in meerdere en verlengde configuraties	32
5.5. Het product uitschakelen	32
5.6. De-installatie	32
6. Verboden gebruik	32
7. Onderhoud en periodieke controle	33
7.1. Batterij vervangen	33
7.2. Andere controles	33
8. Transport en opslag	33
9. Productverwijdering en milieubescherming	33
10. Technische specificaties	34
11. Voorschriften en normen	34
12. Probleemoplossing	35
13. Conformiteitsverklaring	35

1. Prioriteitsinstructies

- Het is van essentieel belang dat u deze instructies leest en de instructies voor veilig en effectief gebruik naleeft vóórdat u dit product installeert en gebruikt. Er moet een kopie van deze instructies beschikbaar zijn voor alle operators. Extra exemplaren zijn op aanvraag verkrijgbaar bij Tractel®.
- Gebruik dit product niet als een van de labels niet langer leesbaar is. U vindt labels op het product zelf en op de bijbehorende accessoires. Gebruik het product ook niet als een van de markeringen op het product, zoals getoond aan het einde van deze handleiding, niet langer aanwezig of leesbaar is. Identieke labels kunnen op verzoek bij Tractel® worden verkregen en moeten worden aangebracht voordat u dit product weer in gebruik neemt.
- Zorg ervoor dat iedere gebruiker van dit product bekend is met de werking ervan en in staat is de veiligheidseisen toe te passen voor de uit te voeren taak. Deze instructies moeten beschikbaar zijn voor al deze gebruikers. Bescherm uw apparatuur tegen invloeden waarop u geen controle hebt.
- Dit product moet worden geïnstalleerd en in gebruik genomen onder omstandigheden die de veiligheid van de monteur garanderen, in overeenstemming met de van toepassing zijnde lokale voorschriften.
- Elke keer dat u het product gebruikt, moet u eerst de staat van het product en van eventuele accessoires controleren. Gebruik nooit een product dat niet in goede staat lijkt te verkeren.
- Stuur het product terug naar de fabrikant voor onderhoud als er zichtbare of operationele problemen zijn die geen verband houden met de staat van de accu.
- Bescherm het product tegen schokken.
- Dit product mag nooit worden gebruikt voor andere handelingen dan die beschreven zijn in deze instructies. Het mag nooit worden gebruikt voor belastingen boven de veilige werklast die op het product is aangegeven. Het mag nooit in een explosiegevaarlijke omgeving worden gebruikt.
- Voordat dit product wordt gebruikt in een systeem waarin mensen worden vervoerd, moet de supervisor eerst controleren of de gebruikscoefficienten die verplicht zijn voor de veiligheid van het personeel zijn toegepast. Ook moet hij de algemene naleving van de veiligheidsvoorschriften die van toepassing zijn op de lastlijn waarbinnen het product wordt gebruikt controleren.
- Tractel® is niet aansprakelijk voor de bediening van dit product in een montage-opstelling die niet in deze instructies wordt beschreven.
- Elke wijziging aan dit product zonder goedkeuring van Tractel® of het verwijderen van enig onderdeel zal Tractel® van elke aansprakelijkheid ontslaan.

12. Elke demontage van dit product die niet in dit toestel wordt beschreven of reparatiewerkzaamheden die niet door Tractel® zijn goedgekeurd, ontslaan Tractel® van elke aansprakelijkheid, vooral als originele onderdelen worden vervangen door onderdelen van een andere leverancier.
13. Een Dynafor™-dynamometer is een hefwerktuig. De veiligheidsvoorschriften die van toepassing zijn op die apparatuurcategorie moeten worden toegepast.
14. Wanneer het product uiteindelijk uit gebruik wordt genomen, moet het op een zodanige manier worden gesloopt dat het niet opnieuw kan worden gebruikt. Houd u aan de milieuvoorschriften.
15. Dit product is goedgekeurd volgens de Europese regelgeving en de normen die zijn gespecificeerd in sectie '11. Voorschriften en normen'. Er moet worden gecontroleerd of de voorschriften van elk ander land waar het apparaat mogelijk wordt gebruikt ook worden nageleefd, voordat het apparaat daar in gebruik wordt genomen. Houd u aan dergelijke voorschriften.
16. Elk gebruik van dit product met extra apparatuur die signalen doorgeeft aan een besturingssysteem moet worden voorafgegaan door een risicoanalyse, specifiek voor de gebruikte bedieningsfuncties. Alle passende maatregelen moeten dienovereenkomstig worden genomen.

2. Definities en pictogrammen

2.1. Definities

In deze handleiding hebben de volgende termen onderstaande betekenis:

'Product': Item of apparatuur beschreven in deze handleiding en compleet geleverd in de standaardversie, of in de verschillende bestaande modellen.

'Installatie': Alle werkzaamheden die nodig zijn om het complete product uit de staat waarin het werd geleverd in een staat van inbedrijfstelling te brengen (of aansluiting op andere elementen voor inbedrijfstelling).

'Supervisor': Persoon of partij die verantwoordelijk is voor het beheer en veilig gebruik van het product dat in de handleiding wordt beschreven.

'Technicus': Gekwalificeerd persoon die bekend is met het product en verantwoordelijk is voor de onderhoudswerkzaamheden die in de handleiding worden beschreven en waar toestemming voor wordt verleend.

'Operator': Persoon die het product gebruikt in overeenstemming met de instructies in deze handleiding.

'MR': Measurement Range, meetbereik (volledige schaal).

'SWL': Safe Working Load, veilige werklust.

2.2. Pictogrammen



'GEVAAR': Wanneer dit pictogram aan het begin van een paragraaf staat, worden er instructies gegeven voor het voorkomen van letsel, variërend van klein letsel tot dodelijke ongevallen en ook mogelijke milieuschade.



'BELANGRIJK': Wanneer dit pictogram aan het begin van een paragraaf staat, worden er instructies gegeven voor het voorkomen van productdefecten of -schade. Deze defecten of schade zouden het leven of de gezondheid van operators of andere personen niet rechtstreeks in gevaar brengen en zouden ook niet leiden tot milieuschade.



'NB': Wanneer dit pictogram aan het begin van een paragraaf staat, worden de noodzakelijke voorzorgsmaatregelen getoond die nodig zijn voor een efficiënte en ergonomische installatie, gebruik en onderhoud.



Wanneer dit op het product zelf of een onderdeel van het product staat, betekent dit dat u de bedienings- en onderhoudshandleiding moet lezen.

3. Beschrijving en markeringen

3.1. Presentatie

dynafor™ Pro zijn precisiekrachtsensoren (0,2% MR) voor het meten van krachten en het aangeven van lasten. Het capaciteitsbereik is van 1 t tot 250 t.

Het materiaal wordt geleverd inclusief batterijen in een doos* met:

- De dynafor™ Pro.
- De handleiding voor installatie, gebruik en onderhoud.
- Het aanpassingscertificaat.
- De CE-conformiteitsverklaring.

*Voor dynafor™ Pro met capaciteiten van 100 t en 250 t wordt het materiaal geleverd in een houten verpakking.

Aanpassingscertificaat

Dit document is één jaar geldig. In dit document wordt verklaard dat de sensor is afgesteld met behulp van een interne Tractel®-procedure op een kalibratiebank, met een standaardsensor die is aangesloten op de internationale standaard.

Optie: Kalibratiecertificaat ISO 376

Op verzoek kan de sensor worden geleverd met een ISO 376 kalibratiecertificaat tot 50 t.

In dit document, dat tot 26 maanden geldig is, wordt verklaard dat het product is gekalibreerd conform ISO 376, op een kalibratiebank met een standaardsensor die is aangesloten bij de internationale standaard.

De technologieën die worden geïmplementeerd op de niveaus van radio en software bieden, naast de traditionele gebruikswijzen die te verwachten zijn van een dynamometer, meerdere configuratiemogelijkheden waarbij diverse sensoren worden gecombineerd. Ze bieden ook toegang tot geavanceerde functies zoals opname, threshold management en monitoring.

De optie voor een pc-koppeling via een USB-poort opent de deur naar gegevensbeheer en -archivering.

De verschillende mogelijke combinaties worden omschreven in hoofdstuk 4. Bijbehorende apparatuur.

3.2. Werkingsprincipe

Het werkingsprincipe van dynafor™ Pro is gebaseerd op het meten met spanningsmeters van de verlenging, binnen de elastische limiet, van een metalen behuizing die wordt blootgesteld aan trekspanning.

Het product werkt in alle richtingen.

3.3. Markeringen

Zie figuur 1.

A	Bevestigingsring
B	Voorpaneel
C	Operatie-indicator
D	Maximale sensorcapaciteit
E	Sensorbehuizing
F	Model
G	Aan/uit (start/stop)-knop
H	Achterplaat
I	Schroefje om klepje te sluiten J
J	Klepje van het batterijvak
K	Batterijvak (3 x 'AA')

L	Fabrikant
M	Serienummer
N	QR-code die verwijst naar het tracinfo-platform met handleiding, aanpassingscertificaat en gegevensblad

4. Bijbehorende apparatuur

Het product is compatibel met de volgende apparatuur:

Hijs- en hefaccessoires:

- Harpsluiting
- Wartelhaak

Dynafor™	Harpsluiting	Wartelhaak
Pro 1t	47916	40977 (type A)
Pro 3,2t	47916	40977 (type A)
Pro 6,5t	47926	105567 (type B)
Pro 15t	112427	113227 (type C)
Pro 25t	47946	51207 (type C)
Pro 50t	47956	Op maat gemaakt
Pro 100t	38166	Op maat gemaakt
Pro 250t	93106	Op maat gemaakt

Raadpleeg de technische fiche, de afbeelding van de harpsluitingen in figuur 2 en de wartelhaak in figuur 3 voor meer informatie over hijs- en hefaccessoires.

Hijs- en hefaccessoires die niet zijn aanbevolen door Tractel® moeten op de juiste manier worden bemeten volgens de lokaal geldende wet- en regelgeving.

Displaytoestellen:

- De externe HHD-displayeenheid van de dynafor™ biedt diverse functionaliteiten, waaronder het lezen en beheren van 4 sensoren tot een afstand van 400 m in de open lucht.
Code: 293609 indien gelijktijdig gekocht met een dynafor™ Expert- of Pro-sensor
Code: 293449 indien los aangeschaft
- AL128 grote displayeenheid voor hoge zichtbaarheid, 128 mm hoge cijfers met draadloze communicatie tot 200 m in de open lucht.
Code: 293489

Beheermodule threshold-veiligheid:

- dynafor™ monitoringeenheid (DMU) biedt dezelfde functionaliteit als de dynafor™ HHD externe displayeenheid en maakt het mogelijk om tot 5 relais te bedienen.
Code: 293479

Software:

- Laadsoftware voor het naar een computer downloaden van de gegevens die zijn opgenomen op de dynafor™ HDD externe displayeenheid.
Code: 293509
- Monitoringsoftware maakt het mogelijk om de laadwaarden live weer te geven, op te nemen en te analyseren voor maximaal 8 sensoren. De dynafor™ HDD externe displayeenheid is benodigd voor gebruik.
Code: 68968
- dynafor™-app voor het weergeven van de laadwaarde van een sensor op een smartphone of tablet via Bluetooth, tot 30 meter in de open lucht. Beschikbaar op iOS en Android.

5. Gebruik



De supervisor moet ervoor zorgen dat een monteur het product installeert. De supervisor moet ervoor zorgen dat de operator deze handleiding voor installatie, bediening en onderhoud heeft gelezen voordat hij het product gebruikt.

5.1. De batterijen plaatsen

De drie AA-batterijen van 1,5 V zijn in de fabriek geïnstalleerd.

Verwijder het isolatielapje dat uit het batterijvak steekt om de batterijen te activeren. Raadpleeg de volgende sectie voor het vervangen van de batterij: 7.1. Batterij vervangen.

5.2. Installatie

Tijdens de installatie is het absoluut noodzakelijk om:

1. Ervoor te zorgen dat het ankerpunt of -punten van de lastlijn voldoende sterk zijn voor de kracht die zal worden uitgeoefend.
2. Ervoor te zorgen dat de hijs- en hefaccessoires aan beide uiteinden van het product compatibel zijn en voldoen aan de van toepassing zijnde lokale voorschriften.
3. De harpsluitingen op de juiste manier te vergrendelen door hun pin volledig in te schroeven. De gaffelhaak op de juiste manier te vergrendelen met de veiligheidspen. U dient er ook zorg voor te dragen dat de veiligheidssluiting voor de haak aanwezig is en in goede staat verkeert.

4. Zorg ervoor dat het product de ruimte heeft om vrij in de krachtlijn uit te kunnen lijnen.
5. Controleer de aanwezigheid en de staat van de batterijen in de sensor.
6. Verbind het product met de externe displayeenheid of met een smartphone via de Tractel-app.
7. Zorg ervoor dat er een goede radioverbinding is tussen de sensor en de displaydoos.

Gebruik het product alleen met trekkracht.

Het product kan in alle richtingen worden gebruikt, ook horizontaal.

Het product werkt naar behoren binnen een temperatuurbereik van -20° C tot +50° C. Voor gebruik buiten deze temperaturen moet het product zijn voorzien van thermische beveiliging.

5.3. De sensor opstarten

Zet de sensor altijd aan voordat u de externe displayeenheid aanzet, anders kan de externe displayeenheid de radioverbinding niet tot stand brengen.

Zacht drukken op de Start/Stop-knop in het midden van het membraan activeert de AAN/UIT-schakelaar. (Zie figuur 4, item G.)

Als de stroom is ingeschakeld, beginnen de twee rode LED's tegelijkertijd te knipperen.

5.4. Functies

5.4.1. Operatie in de basisconfiguratie

Voor de basisconfiguratie gebruikt u een set die bestaat uit een enkele sensor en een enkele externe displayeenheid en/of een enkele sensor en een smartphone voorzien van de dynafor™-app. Deze set meet en geeft de kracht bij de sensor weer.

5.4.2. Automatisch op nul instellen

Als de dynafor™ Pro is ingeschakeld, toont het bijbehorende display '0', indien de gemeten kracht minder dan 10% van de SWL van het product bedraagt.

5.4.3. Informatie die wordt verschaft door de sensor-LED

MODUS sensorbediening	LED van de sensor knippert	Metingen per seconde	Levensduur van de batterij
Stop	Uit	-	-
Standaard	1 flits per seconde	4 per seconde	300 uur
Energiebesparing*	1 flits elke 4 seconden	1 elke 4 seconden	1.000 uur
Slaapstand	1 flits elke 8 seconden	-	3.000 uur
Piekbelasting	2 flitsen per seconde	32 per seconde	100 uur
Batterijen bijna leeg.	Identiek aan aparte modi, maar één LED tegelijkertijd	-	-

*In de fabriekinstellingen wordt er automatisch overgeschakeld naar de modus energiebesparing als er vijf minuten lang geen variatie in de lading (10% van SWL) is. Deze energiebesparingsmodus is aanpasbaar. Zie de handleiding van de dynafor™ HHD externe displayeenheid.

5.4.4. Operatie in meerdere en verlengde configuraties



NB: Voor meer details raadpleegt u de handleidingen van de bijbehorende apparatuur in paragraaf 4. Bijbehorende apparatuur.

De configuratie voor meerdere sensoren bestaat uit het verbinden van maximaal vier sensoren en één of meer displaytoestellen. De sensoren kunnen verschillende capaciteiten hebben. (Voor meer dan vier sensoren is de optie voor een pc-verbinding benodigd.)

Voor sommige toepassingen is het handig om de metingen van meerdere sensoren op een enkele dynafor™ HHD externe displayeenheid weer te geven.

Voorbeeld: Bij het hijsen van een lading met een tussenstang die met twee lieren, elk voorzien van een sensor, op hoogte wordt gehouden. Het groeperen van de twee krachtmetingen op een enkele dynafor™ HHD externe displayeenheid geeft de operator de mogelijkheid om de twee krachten en hun totale waarde te bekijken en te controleren of de lading juist is verdeeld tussen de twee lieren.

Neem contact op met Tractel® voor meer informatie over meerdere configuraties

5.5. Het product uitschakelen

Om het product uit te schakelen, houdt u de Start/ Stopknop 2 seconden ingedrukt, zonder hier te hard op te drukken.

Als er geen variatie in de belasting is, gaat het product na 20 minuten automatisch in de slaapstand. Deze automatische slaapstand zorgt voor batterijbesparing van de sensor.

De sensor gaat automatisch weer aan als er weer een displaytoestel wordt verbonden.

Deze automatische slaapstand kan worden aangepast. Zie de handleiding van de dynafor™ HHD externe displayeenheid.

5.6. De-installatie

Zorg er bij het de-installeren van het product voor dat alle trekkrachten van tevoren zijn verwijderd.

Reinig het product en bewaar het volgens de secties 7.2. Andere controles en 8. Transport en opslag.

6. Verboden gebruik

HET VOLGENDE IS VERBODEN:

Zie figuur 6

- Gebruik van het product in een systeem met personeel zonder eerst een specifieke risicoanalyse uit te voeren.
- Het product aanpassen.
- Het product buiten de SWL gebruiken met statische of dynamische krachten.
- Booglassen terwijl het product is aangesloten op het aardingscircuit.
- Het product blootstellen aan elektrische en/of elektromagnetische schokken.
- Het product demonteren of openen.
- Het product gebruiken voor andere doeleinden dan die beschreven in deze handleiding.
- Het product gebruiken als er een risico bestaat dat het wordt blootgesteld aan druk-, buig- of torsiebelastingen.
- Voorkomen dat het product de ruimte heeft om vrij in de krachtlijn uit te kunnen lijnen.
- Het product gebruiken in een zeer corrosieve omgeving.
- Het product gebruiken in een explosiegevaarlijke omgeving.
- Het product gebruiken buiten het temperatuurbereik van -20° C tot 50° C.

- Het product gebruiken nadat het is blootgesteld aan een kracht boven 110% van de SWL.
- Het product gebruiken als het niet in goede staat lijkt te verkeren.
- Het product gebruiken als de markeringen ontbreken of onleesbaar zijn.
- Het product gebruiken met accessoires van roestvrij staal.

7. Onderhoud en periodieke controle

7.1. Batterij vervangen

De LED's in het midden van de Start/Stop-knop van de sensor knipperen één voor één als de batterijen leeg zijn.

Er wordt ook een waarschuwing melding weergegeven op de externe displayeenheid. Ze moeten worden vervangen.

- Verwijder het klepje van het batterijvak met een kruiskopschroevendraaier.
- Vervang de drie 'AA'-batterijen van 1,5 V door nieuwe batterijen. Let hierbij op de polariteit.
- Plaats het klepje van het batterijvak terug en draai de bevestigingsschroeven vast zodat het deksel op één lijn ligt met de rand van het batterijvak.

7.2. Andere controles

Tractel® raadt aan de visuele toestand van het product regelmatig te controleren en de sensor regelmatig te reinigen met een droge doek.

Tractel® raadt ook aan om het product jaarlijks opnieuw te kalibreren (zie sectie 3.1 Presentatie), voordat het geldige certificaat verloopt.

Tractel® kan deze diensten op aanvraag leveren.

8. Transport en opslag

Tijdens opslag en/of transport moet het product:

- Verpakt zijn in de originele verpakking en moeten de batterijen verwijderd zijn
- Opgeslagen worden op een droge locatie
- Opgeslagen worden bij een temperatuur tussen -20° C en 60° C
- Beschermd worden tegen chemische, mechanische of andere vormen van mogelijke schade.

9. Productverwijdering en milieubescherming

Het product moet worden afgevoerd in overeenstemming met de regelgeving die van toepassing is in het land van gebruik.

Het product voldoet aan de vereisten van de REACH-verordening en de RoHS-richtlijn; het valt niet onder de WEEE-richtlijn.

De verschillende productonderdelen moeten worden gerecycled op basis van de onderstaande tabel, nadat metalen en synthetische materialen zijn gescheiden. Deze materialen moeten worden gerecycled door gespecialiseerde organisaties.

Op het moment van verwijdering mogen alleen getrainde personen het product ontmantelen om de onderdelen te scheiden.

Onderdeel	Te worden behandeld als afval van het type
Behuizing van het product	Aluminium
Elektronische behuizing (kunststof)	Gewoon afval
Printplaat en display	Elektronica
Batterijen	Accumulator

10. Technische specificaties

Model		Pro 1	Pro 3.2	Pro 6.5	Pro 15	Pro 25	Pro 50	Pro 100	Pro 250
SWL	t	1	3,2	6,5	15	25	50	100	250
Veiligheidscoëfficiënt		> 4							
Nauwkeurigheid	+/- %	0,2% EM à 21 °C							
	+/- kg	2	6,4	13	30	50	100	200	500
Resolutie	kg	0,2	0,5	1	5	10	20	50	100
Meetfrequentie	Hz	4 Hz - 32 Hz in de modus piekbelasting – 1 Hz in de modus energiebesparing							
Max. display	%	110% van SWL							
Levensduur van de batterij	uur	300 tot 1.000 afhankelijk van gebruik							
RF (radiofrequentie)-technologie		2,4 GHz – 2,4835 GHz eigenaar, bereik tot 400 m in de open lucht							
Uitgangsvermogen RF-radio		9,5							
Bluetooth-technologie		BLE 4.0 (2,4 GHz – 2,4835 GHz), bereik tot 30 m in de open lucht							
Uitgangsvermogen BLE-radio		7,71							
Gewicht	kg	0,70	0,86	1,60	3,66	5,33	11,45	27,48	97,98
IP-classificatie		IP 64 (IP 67 als optie)							
Bedieningstemperatuur		-20 °C à +50 °C							
Materiaal van de sensor		Aluminium				Hoogwaardig aluminium			
Batterijen		3x AA							
Afmetingen (zie figuur 5)									
A	mm	216	216	248	319	357	446	559	797
B		192,8	193,8	214,1	269,8	301,6	371,2	454,2	609,1
C		21,5	21,5	28,8	46,5	57,4	78,8	107,6	162,1
D		79	92	113	119	132	152	196	329
E		23	23	32	51	61	90	129	180
G		39	39	39	62	65	91	133,5	Niet relevant

11. Voorschriften en normen

Het in deze handleiding beschreven product voldoet aan het volgende:

Europese normen

Machinerichtlijn 2006/42/EC
Richtlijn 2014/53/EU (RED)

Referentie van radionormen
EN300440 V2.1.1
EN300328 V2.2.2
ETSI 203367 V1.1.0

Referentie van gezondheidsnormen
EN62479 (2010)

Referentie van EMC-normen
EN61326-1 (2013)
EN301 489- 1 en 17

Referentie van normen omtrent elektrische veiligheid
IEC/EN61010-1 (Amd 1 ed. 3)

Normen van Australië en Nieuw-Zeeland

Referentie van normen omtrent elektrische veiligheid
AS/NZ61010-1

Russische normen

Referentie van EMC-normen en normen omtrent elektrische veiligheid
Technische regelgeving CU TR 020/2011

Internationale normen

IEC 61326-1 ed. 2: 2012
IEC 61311: 2007

Amerikaanse en Canadese normen

Referentie van radionormen
FCC sectie 15
RSS-GEN en RSS-210

Referentie van EMC-normen
FCC sectie 15
ICES-003

NB: Dit toestel is getest en voldoet aan de limieten voor een Klasse A digitaal apparaat, conform sectie 15 van de FCC-regelgeving. Deze limieten zijn ontworpen om redelijke beveiliging tegen schadelijke interferentie te bieden wanneer het toestel wordt gebruikt in een bedrijfsomgeving. Het toestel genereert, gebruikt en zendt radiogolven uit. Indien het niet wordt geïnstalleerd en gebruikt in overeenstemming met de instructiehandleiding kan het schadelijke interferentie aan radiocommunicatie toebrengen. Het bedienen van dit toestel in een woonomgeving zorgt waarschijnlijk voor schadelijke interferentie, waarbij de gebruiker de interferentie op zijn of haar eigen kosten moet elimineren.

NB: Dit product voldoet aan Industry Canada's RSS, van toepassing op van een vergunning vrijgestelde radio-apparaten. Het toestel mag worden bediend onder de twee volgende voorwaarden: (1) het mag geen interferentie veroorzaken, en (2) de gebruiker van het toestel moet bereid zijn om enige ontvangen radio-interferentie te accepteren, zelfs als zulke interferentie de bediening van het toestel waarschijnlijk beïnvloedt.

Conform de regelgeving van Industry Canada mag dit radiozendtoestel worden bediend met een antenne van een type en maximale versterking (of minder) zoals goedgekeurd voor het zendtoestel door Industry Canada.

Om het risico op radio-interferentie te verminderen voor andere gebruikers, moet het type antenne en de versterking op een dusdanige manier worden gekozen dat het equivalent isotroop uitgestraald vermogen (equivalent isotropic radiated power; e.i.r.p.) de intensiteit die nodig is om een bevredigende communicatie tot stand te brengen, niet overschrijft.

NL

12. Probleemoplossing

Problemen	Mogelijke oorzaken	Oplossingen
De sensor gaat niet aan	Batterijen leeg.	Vervang de batterijen.
	Defecte elektronica.	Neem contact op met Tractel®
LED van de sensor knippert bij 4 Hz (4 keer per seconde)	Geen communicatie tussen de sensor en de printplaat.	Neem contact op met Tractel®

Voor andere zaken gerelateerd aan de externe displayeenheid raadpleegt u de handleiding.

13. Conformiteitsverklaring

Kopie van de conformiteitsverklaring in de bijlage

Índice

1. Instrucciones generales de seguridad.....	36
2. Definiciones y pictogramas.....	37
2.1. Definiciones.....	37
2.2. Pictogramas.....	37
3. Descripción y marcas.....	37
3.1. Presentación.....	37
3.2. Principio de funcionamiento.....	38
3.3. Marcas.....	38
4. Equipo asociado.....	38
5. Usos.....	39
5.1. Instalación de las pilas.....	39
5.2. Instalación.....	39
5.3. Puesta en marcha del sensor.....	39
5.4. Funciones.....	39
5.4.1. Funcionamiento en la configuración básica.....	39
5.4.2. Puesta en cero automática.....	39
5.4.3. Información proporcionada por el LED del sensor.....	40
5.4.4. Funcionamiento en configuración múltiple y ampliada.....	40
5.5. Apagado del producto.....	40
5.6. Desinstalación.....	40
6. Usos prohibidos.....	40
7. Mantenimiento y verificación periódica.....	41
7.1. Recambio de las pilas.....	41
7.2. Otras verificaciones.....	41
8. Transporte y almacenamiento.....	41
9. Cómo desechar el producto y protección medioambiental.....	41
10. Especificaciones técnicas.....	42
11. Normativa y estándares.....	42
12. Resolución de problemas.....	43
13. Declaración de conformidad.....	43

1. Instrucciones generales de seguridad

- Antes de instalar y comenzar a usar este producto, es preciso que lea y cumpla estas instrucciones, para evitar correr riesgos y garantizar un uso eficaz. Debe proporcionarse una copia de estas instrucciones a los operadores, los cuales deben llevarlas consigo en todo momento. Puede solicitar más copias a Tractel®.
- No utilice este producto en caso de que este, sus accesorios o cualquiera de sus marcas, no lleven incluidas las etiquetas que se muestran al final de este manual, o bien no puedan leerse correctamente. Puede solicitar estas mismas etiquetas a Tractel®, pero antes de continuar utilizando este producto, deberá colocarlas en su sitio.
- Asegúrese de que los usuarios de este producto saben cómo funciona y conocen de qué manera aplicar las normas de seguridad a la tarea que vayan a realizar. Estas instrucciones deben estar a disposición de estos usuarios. Proteja su equipo para que no pueda usarlo personal no autorizado.
- Las condiciones de instalación y funcionamiento de este producto deben garantizar la seguridad del instalador, por lo que deberán estar en consonancia con la normativa local aplicable.
- Cada vez que utilice este producto, compruebe en primer lugar en qué estado se encuentran este y sus accesorios. No utilice nunca un producto si considera que no está en buen estado.
- Si detecta algún problema superficial o durante su funcionamiento, devuelva el producto al fabricante para que lo repare (a no ser que se trate del estado de la batería).
- Proteja el producto frente a los impactos.
- Este producto no debe utilizarse nunca para fines distintos a los que aparecen descritos en estas instrucciones. Tampoco puede utilizarse nunca para cargas superiores al límite de carga de trabajo segura para el producto. En ningún caso puede utilizarse en una atmósfera explosiva.
- Antes de utilizar este producto en un sistema de transporte de personal, el supervisor debe comprobar en primer lugar que se estén aplicando los coeficientes de uso obligatorios para la seguridad del personal; además, debe cerciorarse de que este se encuentra en consonancia en términos generales con la normativa en materia de seguridad aplicable a la línea de carga en la que se utiliza.
- Tractel® está exento de toda responsabilidad legal en caso de que este producto se utilice montado en una configuración que no aparezca descrita en estas instrucciones.

11. Modificar este producto sin el consentimiento de Tractel®, así como extraer cualquiera de sus componentes, exime a Tractel® de toda responsabilidad legal.
12. Desmontar este producto de alguna forma que no aparezca descrita en estas instrucciones, o llevar a cabo un trabajo de reparación sin el consentimiento de Tractel®, exime a Tractel® de toda responsabilidad legal (sobre todo en el caso de sustituir las piezas originales por piezas de una procedencia distinta).
13. Un dinamómetro dynafor™ es un accesorio de levantamiento, por lo que debe aplicarse la normativa en materia de seguridad específica para esta clase de equipo.
14. Cuando la vida útil del producto llegue a su fin, deberá desecharlo (asegúrese de que este quede inhabilitado por completo). Respete la normativa en materia de protección medioambiental.
15. Este producto cumple la normativa europea, así como los estándares específicos de la sección "11. Normativa y estándares". Asimismo, antes de ponerlo en marcha y comenzar a usarlo, debe comprobarse que este se encuentra de conformidad con la normativa de cualquier otro país en el que pueda estar utilizándose. Garantice el cumplimiento de la normativa.
16. El uso de este producto junto con equipo adicional que transmita sus señales a un sistema operativo debe ir precedido por un análisis de riesgo específico para las funciones operativas que se vayan a usar; además, deben adoptarse todas las medidas oportunas, según proceda.

2. Definiciones y pictogramas

2.1. Definiciones

En este manual, el significado de los siguientes términos es el que figura a continuación:

"Producto": artículo o equipo que se describe en este manual y que se entrega completo en su versión estándar o en sus varios modelos existentes.

"Instalación": conjunto de operaciones necesarias para hacer que el producto completo pase de estar en el estado en el que fue entregado a un estado de puesta en marcha (o conexión de otros elementos para la puesta en marcha).

"Supervisor": persona o parte interesada responsable de la gestión del producto descrito en el manual y de la seguridad a la hora de utilizarlo.

"Técnico": persona experta y familiarizada con el producto; se encuentra a cargo de las operaciones de

mantenimiento contempladas en el manual y descritas en el mismo.

"Operador": persona que utiliza el producto siguiendo las instrucciones recogidas en este manual.

"IM": intervalo de medición (a gran escala).

"CTS": carga de trabajo segura.

2.2. Pictogramas



"PELIGRO": al inicio de un párrafo, indica que se trata de instrucciones destinadas a evitar lesiones (de menos a más graves) o daños al medioambiente.



"IMPORTANTE": al inicio de un párrafo, indica que se trata de instrucciones destinadas a evitar un fallo o avería en el producto, pero que no existe un riesgo directo para la vida ni la salud de los operadores ni de otras personas, o que no es probable que ocasione daños al medioambiente.



"N. B.": al inicio de un párrafo, indica qué precauciones es preciso seguir para instalar, utilizar y llevar a cabo el mantenimiento del producto de forma eficaz y ergonómica.



cuando se encuentra sobre el propio producto o sobre uno de sus componentes, indica que es preciso leer el manual de funcionamiento y mantenimiento.

3. Descripción y marcas

3.1. Presentación

Los sensores de fuerza dynafor™ Pro son instrumentos muy precisos (IM de 0,2 %) que sirven para medir fuerzas e indicar cargas. Presentan una capacidad de medición entre 1 t y 250 t.

El material se entrega con sus pilas en un estuche* que comprende:

- El dynafor™ Pro;
- su manual de instalación, funcionamiento y mantenimiento;
- su certificado de regulación;
- su declaración CE de conformidad.

*Para el dynafor™ Pro con capacidades de 100 t y 250 t, el material se entrega en una caja de madera.

Certificados de regulación

Este documento, válido durante un año, certifica que el sensor se ha regulado usando un procedimiento interno de Tractel® en un banco de calibración con un sensor estándar conectado al estándar internacional.

Opción: Certificado de calibración ISO 376

Bajo pedido, el sensor se puede entregar con un certificado de calibración ISO 376 de hasta 50 t.

Este documento, cuya validez es de hasta 26 meses, certifica que el producto ha sido calibrado en un banco de calibración con el sensor estándar conectado de conformidad con la norma internacional ISO 376.

Las tecnologías implantadas tanto a nivel de radio como de software, además de los usos tradicionales esperados de un dinamómetro, ofrecen múltiples posibilidades de configuración combinando varios sensores. También proporcionan acceso a funciones avanzadas como grabación, gestión de umbrales y supervisión.

La opción de un enlace de PC a través de un puerto USB facilita la gestión y el archivo de datos.

Las diferentes combinaciones posibles se describen en el capítulo 4. Equipo asociado.

3.2. Principio de funcionamiento

El principio de funcionamiento que permite medir con dynafor™ Pro se basa en el uso de extensómetros para el alargamiento, dentro del límite elástico, de un cuerpo metálico sometido a un esfuerzo de tracción.

El producto funciona en todas las direcciones.

3.3. Marcas

Véase la figura 1.

A	Anillo de sujeción
B	Panel frontal
C	Indicador de funcionamiento
D	Capacidad máxima del sensor
E	Cuerpo del sensor
F	Modelo
G	Botón de encendido/apagado (inicio/parada)
H	Placa trasera
I	Tornillo de fijación de la tapa J
J	Tapa del compartimento para las pilas
K	Compartimento para las pilas (3 x "AA")
L	Fabricante
M	Número de serie
N	Código QR que dirige a la plataforma tracinfo que contiene el manual, el certificado de regulación y la ficha de datos

4. Equipo asociado

El producto es compatible con los siguientes equipos:

Accesorios de levantamiento:

- Estribo
- Gancho giratorio

dynafor™	Estribo	Gancho giratorio
Pro 1t	47916	40977 (tipo A)
Pro 3.2t	47916	40977 (tipo A)
Pro 6.5t	47926	105567 (tipo B)
Pro 15t	112427	113227 (tipo C)
Pro 25t	47946	51207 (tipo C)
Pro 50t	47956	Hecho a medida
Pro 100t	38166	Hecho a medida
Pro 250t	93106	Hecho a medida

Para obtener detalles sobre los accesorios de elevación, consulte la ficha técnica, la ilustración de los estribos en la figura 2 y el gancho giratorio en la figura 3.

Los accesorios de elevación que no estén recomendados por Tractel® deberán tener el tamaño correcto, según lo especificado en las normativas locales vigentes.

Dispositivos de visualización:

- La unidad de visualización remota dynafor™ HHD ofrece múltiples funciones, incluida la lectura y gestión de 4 sensores hasta una distancia de 400 m al aire libre.
Códigos: 293609 cuando se compra simultáneamente con un sensor dynafor™ Expert o Pro
Código: 293449 cuando se compra por separado
- Unidad de visualización grande AL128 que ofrece alta visibilidad, con 128 mm de altura y comunicación inalámbrica hasta 200 m al aire libre.
Código: 293489

Módulo de gestión de seguridad de umbrales:

- unidad de supervisión dynafor™ (DMU) que ofrece las mismas funciones que la unidad de visualización remota dynafor™ HHD y permite controlar hasta 5 relés.
Código: 293479

Software:

- Software de carga para descargar en un ordenador los datos registrados en la unidad de visualización remota dynafor™ HHD.
Código: 293509

- El software de supervisión permite mostrar, registrar y analizar los valores de carga en directo de hasta 8 sensores. Se requiere la unidad de visualización remota dynafor™ HHD.
Código: 68968
- Aplicación dynafor™ para ver el valor de carga de un sensor desde un smartphone o tableta a través de Bluetooth hasta 30 m al aire libre. Disponible en iOS y Android.

5. Usos



El supervisor debe asegurarse de asignar a un técnico para que se ocupe de la instalación del producto. Antes de comenzar a utilizar el producto, el supervisor debe asegurarse de que el operador haya revisado esta instalación, así como su funcionamiento y mantenimiento.

5.1. Instalación de las pilas

Las tres pilas "AA" de 1,5 V vienen instaladas de fábrica.

Para activar las pilas, retire la pestaña de aislamiento del compartimento para pilas. Para obtener más información sobre el recambio de pilas agotadas, consulte la sección 7.1. Recambio de las pilas.

5.2. Instalación

Durante la instalación, es fundamental:

1. Asegurarse de que los uno o más puntos de enganche de la línea de carga sean lo suficientemente resistentes como para soportar la fuerza que se les aplique.
2. Asegurarse de que los accesorios de elevación situados en ambos extremos del producto sean compatibles con la normativa local aplicable y se encuentren en consonancia con la misma.
3. Bloquear correctamente los grilletes atornillando su pasador por completo. Bloquear correctamente el pasador del gancho de abrazadera con su pasador de seguridad. Asegurarse de que el cierre de seguridad del gancho esté presente y en buen estado de funcionamiento.
4. dejar que el producto se alinee libremente en la línea de fuerza;

5. comprobar que el sensor lleva las pilas puestas y comprobar su estado.
6. Conectar el producto a la unidad de visualización remota o a un smartphone a través de la aplicación Tractel.
7. Asegurarse de que haya un buen enlace de radio entre el sensor y la caja de visualización.

Utilizar únicamente el producto con fuerza de tracción.

El producto puede utilizarse en todas las direcciones, incluso en horizontal.

El producto funciona correctamente en un intervalo de temperatura entre -20 °C y +50 °C. Si desea utilizarlo a una temperatura superior, el producto debe disponer de protección térmica.

5.3. Puesta en marcha del sensor

Encienda siempre el sensor antes que la unidad de visualización remota; de lo contrario, esta no podrá establecer el enlace de radio.

Una ligera pulsación en el botón de inicio/parada, que se encuentra en el centro de la membrana, activa el interruptor de encendido/apagado. (Véase la figura 4, elemento G).

Quando se enciende la alimentación, los dos LED rojos comienzan a parpadear simultáneamente.

5.4. Funciones

5.4.1. Funcionamiento en la configuración básica

La configuración básica consiste en utilizar un conjunto compuesto por un solo sensor y una sola unidad de visualización remota, o un solo sensor y un smartphone equipado con la aplicación dynafor™. Este conjunto mide y muestra la fuerza en el sensor.

5.4.2. Puesta en cero automática

Al encender el dynafor™ Pro, en la unidad de visualización asociada aparecerá "0", siempre que la fuerza de medición sea inferior al 10 % de la CTS del producto.

5.4.3. Información proporcionada por el LED del sensor

MODO de funcionamiento del sensor	LED del sensor parpadeando	Medidas por segundos	Vida de la batería
Parado	Apagado	-	-
Estándar	1 parpadeo por segundo	4 por segundo	300 h
Económico*	1 parpadeo cada 4 segundos	1 cada 4 segundos	1000 h
Descanso	1 parpadeo cada 8 segundos	-	3000 h
Carga máxima	2 parpadeos por segundo	32 por segundo	100 h
Carga de las pilas baja.	Idéntico a los modos separados, pero un LED a la vez		-

* La configuración predeterminada de fábrica es que cambie automáticamente al modo económico si no hay variación de carga (10 % de CTS) durante 5 minutos. Este modo económico se puede ajustar. Véase el manual de la unidad de visualización remota dynafor™ HHD.

5.4.4. Funcionamiento en configuración múltiple y ampliada



N. B.: para obtener más detalles, consulte los manuales de los equipos asociados que se definen en el apartado 4. Equipo asociado

La configuración múltiple consiste en conectar hasta cuatro sensores y uno o varios dispositivos de visualización. Los sensores pueden tener diferentes capacidades. (Para más de cuatro sensores, se requiere la opción de conexión a PC.)

Para algunas aplicaciones, resulta útil mostrar las mediciones de varios sensores en una sola unidad de visualización remota dynafor™ HHD.

Por ejemplo: elevación de una carga con una barra separadora suspendida de dos cabrestantes, equipados cada uno de ellos con un sensor. La agrupación de las dos medidas de fuerza en una sola unidad de visualización remota dynafor™ HHD permite al operador ver las dos fuerzas y su valor total, y comprobar que la carga está distribuida correctamente entre los dos cabrestantes.

Para obtener más información sobre configuraciones múltiples, póngase en contacto con Tractel®

5.5. Apagado del producto

Para apagar el producto, mantenga pulsado el botón de inicio/parada durante 2 segundos, sin pulsar demasiado fuerte.

Si no se produce ninguna variación de carga, el producto pasará automáticamente al modo de descanso transcurridos 20 minutos. Este descanso automático conserva las pilas del sensor.

El sensor vuelve a encenderse automáticamente cuando se conecta de nuevo a un dispositivo de visualización.

Este descanso automático se puede ajustar. Véase el manual de la unidad de visualización remota dynafor™ HHD.

5.6. Desinstalación

Al desinstalar el producto, asegúrese de haber quitado antes todas las fuerzas de tracción.

El producto se debe limpiar y almacenar según lo indicado en las secciones 7.2. Otras verificaciones y 8. Transporte y almacenamiento.

6. Usos prohibidos

LOS SIGUIENTES USOS ESTÁN PROHIBIDOS:

Véase la figura 6

- Utilizar el producto en un sistema de transporte de personal sin realizar primero un análisis de riesgos específicos.
- Modificar el producto.
- Utilizar el producto sobrepasando su CTS con fuerzas estáticas o dinámicas.
- Realizar una soldadura por arco con el producto en el circuito de tierra.
- Exponer el producto a una descarga eléctrica o electromagnética.
- Desmontar o abrir el producto.
- Utilizar el producto con fines distintos a los que aparecen descritos en este manual.
- Utilizar el producto en caso de riesgo de que este pueda verse sometido a cargas de comprensión, flexión o torsión.
- Impedir que el producto se alinee en la línea de fuerza.
- Utilizar el producto en un ambiente altamente corrosivo.
- Utilizar el producto en un ambiente explosivo.
- Utilizar el producto fuera del intervalo de temperatura comprendido entre -20 °C y 50 °C.

- Utilizar el producto cuando este se haya visto sometido a una fuerza superior al 110 % de su CTS.
- Utilizar el producto si considera que no está en buen estado.
- Utilizar el producto si faltan las marcas o son ilegibles.
- Utilizar el producto con accesorios de acero inoxidable.

7. Mantenimiento y verificación periódica

7.1. Recambio de las pilas

Los LED del centro del botón de inicio/parada del sensor parpadean uno tras otro cuando las pilas están vacías.

También se muestra un mensaje de advertencia en la unidad de visualización remota. Es necesario recambiar las pilas.

- Con la ayuda de un destornillador Philips, retire la tapa del compartimento para pilas.
- Quite las tres pilas "AA" de 1,5 V y cámbielas por unas nuevas teniendo en cuenta los terminales de estas.
- Vuelva a colocar la cubierta del compartimento para pilas y apriete los tornillos de fijación para que esta quede alineada con el borde del compartimento para pilas.

7.2. Otras verificaciones

Tractel® recomienda inspeccionar periódicamente el estado del producto a simple vista, así como limpiar el sensor con frecuencia usando un paño seco.

Tractel® recomienda asimismo realizar una recalibración con carácter anual (para dicho ajuste, consulte la sección 3.1. Presentación) antes de que caduque el certificado y deje de ser válido.

Puede solicitar a Tractel® que preste estos servicios.

8. Transporte y almacenamiento

Durante su almacenamiento y/o transporte, el producto:

- debe ir metido en su embalaje original con las pilas aparte;
- debe almacenarse en un entorno seco;
- debe almacenarse a una temperatura de entre -20 °C y 60 °C;
- debe estar protegido frente a un ataque químico, mecánico o de otro tipo.

9. Cómo desechar el producto y protección medioambiental

El producto debe desecharse siguiendo la normativa aplicable en el país en el que se esté utilizando.

El producto cumple las disposiciones de la normativa REACH y la directiva RoHS; no está cubierto por la directiva WEEE.

Los diferentes componentes del producto deben reciclarse siguiendo la tabla que se muestra a continuación, después de hacer una separación entre materiales metálicos y sintéticos. Estos materiales deben reciclarlos organismos especializados.

En el momento de desechar el producto, solo los profesionales técnicos están capacitados para desmontar sus componentes.

Componente	Tipo de residuo
Cuerpo del producto	Aluminio
Carcasa electrónica (plástico)	Residuo ordinario
Placa de circuito impreso y pantalla	Componentes electrónicos
Pilas	Acumulador

10. Especificaciones técnicas

Modelo		Pro 1	Pro 3.2	Pro 6.5	Pro 15	Pro 25	Pro 50	Pro 100	Pro 250
CTS	t	1	3,2	6,5	15	25	50	100	250
Coeficiente de seguridad		> 4							
Precisión	+/- %	0,2 % EM a 21 °C							
	+/- kg	2	6,4	13	30	50	100	200	500
Resolución	kg	0,2	0,5	1	5	10	20	50	100
Frecuencia de medición	Hz	4 Hz - 32 Hz en el modo de carga máxima; 1 Hz en modo económico							
Visualización Máx.	%	110 % de la CTS							
Vida de la batería	h	300 a 1000 dependiendo del uso							
Tecnología RF (radiofrecuencia)		2,4 GHz - 2,4835 GHz propietario, rango hasta 400 m al aire libre							
Salida de potencia de radio RF	dBm	9,5							
Tecnología Bluetooth		BLE 4.0 (2,4 GHz - 2,4835 GHz), rango hasta 30 m al aire libre							
Salida de potencia de radio BLE	dBm	7,71							
Peso	kg	0,70	0,86	1,60	3,66	5,33	11,45	27,48	97,98
Grado de protección IP		IP 64 (IP 67 opcional)							
Temperatura de funcionamiento	°C	De -20 °C a +50 °C							
Material del sensor		Aluminio				Aluminio de alta resistencia			
Pilas		3x AA							
Dimensiones (véase la figura 5)									
A	mm	216	216	248	319	357	446	559	797
B		192,8	193,8	214,1	269,8	301,6	371,2	454,2	609,1
C		21,5	21,5	28,8	46,5	57,4	78,8	107,6	162,1
D		79	92	113	119	132	152	196	329
E		23	23	32	51	61	90	129	180
F		39	39	39	62	65	91	133,5	180
G		39	39	39	62	65	91	133,5	Irrelevante

11. Normativa y estándares

El producto que aparece descrito en este manual está en consonancia con:

Estándares europeos

Directiva 2006/42/CE relativa a las máquinas
Directiva 2014/53/UE (RED)

Referencia de normas de radio
EN300440 V2.1.1
EN300328 V2.2.2
ETSI 203367 V1.1.0

Referencia de normas de salud
EN62479 (2010)

Referencia de normas de EMC
EN61326-1 (2013)
EN301 489- 1 & 17

Referencia de normas de seguridad eléctrica
IEC/EN61010-1 (Modif. 1 ed. 3)

Normas de Australia y Nueva Zelanda

Referencia de normas de seguridad eléctrica
AS/NZ61010-1

Normas de Rusia

Referencia de normas de seguridad eléctrica y EMC
Reglamento técnico CU TR 020/2011

Normas internacionales

IEC 61326-1 ed. 2: 2012
IEC 61311: 2007

Normas de América y Canadá

Referencia de normas de radio
FCC sección 15
RSS-GEN & RSS-210

Referencia de normas de EMC
FCC sección 15
ICES-003

N. B.: este equipo se ha sometido a pruebas y se considera que cumple con los límites para un dispositivo digital de clase A, de acuerdo con la sección 15 de las normas de la FCC. Estos límites están diseñados para proporcionar una protección razonable contra interferencias perjudiciales cuando el equipo se utiliza en un entorno comercial. Este equipo genera, utiliza y puede emitir ondas de radio y, si no se instala y se utiliza de acuerdo con el manual de instrucciones, puede provocar interferencias perjudiciales en las comunicaciones por radio. Es probable que el funcionamiento de este equipo en un área residencial cause interferencias perjudiciales, en cuyo caso el usuario debe eliminar la interferencia por su cuenta.

N. B.: este producto cumple con las normas RSS del Ministerio de Industria de Canadá aplicables a los aparatos de radio exentos de licencia. El equipo se puede utilizar con las dos condiciones siguientes: (1) no

debe causar ninguna interferencia, y (2) el usuario del dispositivo debe estar preparado para aceptar cualquier interferencia de radio recibida, incluso si es probable que dicha interferencia afecte al funcionamiento del dispositivo.

De acuerdo con las normativas del Ministerio de Industria de Canadá, este transmisor de radio puede utilizarse con una antena de un tipo y una ganancia máxima (o inferior) aprobados para el transmisor por el Ministerio de Industria de Canadá.

Para reducir el riesgo de interferencias de radio para otros usuarios, el tipo de antena y su ganancia deben elegirse de manera que la potencia isotrópica radiada equivalente (PIRE) no exceda la intensidad requerida para establecer una comunicación satisfactoria.

12. Resolución de problemas

Problemas	Posibles causas	Soluciones
El sensor no se enciende	Las pilas se han agotado.	Cambie las pilas.
	Sistema electrónico defectuoso.	Póngase en contacto con Tractel®
El LED del sensor parpadea a 4 Hz (4 veces por segundo)	No hay comunicación entre el sensor y su placa de circuito impreso.	Póngase en contacto con Tractel®

Para cualquier otro problema relacionado con la unidad de visualización remota, consulte el manual.

13. Declaración de conformidad

Se adjunta una copia de la declaración de conformidad en el apéndice

Indice

1. Istruzioni preliminari.....	44
2. Definizioni e pittogrammi	45
2.1. Definizioni	45
2.2. Pittogrammi.....	45
3. Descrizione e marcature.....	45
3.1. Presentazione.....	45
3.2. Principio di funzionamento.....	46
3.3. Marcature.....	46
4. Attrezzature associate	46
5. Usi	46
5.1. Come installare le batterie	46
5.2. Installazione.....	47
5.3. Come avviare il sensore	47
5.4. Funzioni	47
5.4.1. Funzionamento nella configurazione di base.....	47
5.4.2. Azzeramento automatico.....	47
5.4.3. Informazioni fornite dal LED del sensore.....	47
5.4.4. Funzionamento nella configurazione multipla e ampliata.....	47
5.5. Spegner il prodotto	48
5.6. Disinstallazione.....	48
6. Usi vietati	48
7. Manutenzione e ispezione periodica	48
7.1. Sostituzione delle batterie	48
7.2. Altre ispezioni.....	48
8. Trasporto e stoccaggio	48
9. Smaltimento del prodotto e tutela dell'ambiente....	48
10. Specifiche tecniche.....	49
11. Norme e standard.....	49
12. Risoluzione dei problemi	50
13. Dichiarazione di conformità	50

1. Istruzioni preliminari

1. È importante leggere e attenersi alle presenti istruzioni prima di installare e usare questo prodotto al fine di garantirne la sicurezza d'uso e l'efficienza. Una copia delle presenti istruzioni deve essere a disposizione di tutti gli operatori. È possibile richiedere ulteriori copie a Tractel®.
2. Non usare questo prodotto se i pittogrammi, gli accessori o le marcature applicate come mostrato alla fine del presente manuale sono mancanti o illeggibili. È possibile richiedere a Tractel® altri adesivi identici da applicare prima di usare questo prodotto.
3. Assicurarsi che tutti gli utenti di questo prodotto siano ben informati sul funzionamento dello stesso e siano in grado di attenersi ai requisiti di sicurezza richiesti dalla rispettiva applicazione. Le presenti istruzioni devono essere a disposizione di tali utenti. Proteggere l'attrezzatura da avviamenti incontrollati.
4. Il presente prodotto deve essere installato e messo in funzione in condizioni tali da garantire la sicurezza dell'installatore in conformità con i regolamenti locali pertinenti.
5. Verificare lo stato del prodotto e degli eventuali accessori ogni qualvolta lo si usa. Non usare mai un prodotto che non si ritenga in buono stato.
6. Inviare il prodotto al fabbricante per interventi di manutenzione o in presenza di problemi visibili o di funzionamento non associati alle condizioni della batteria.
7. Proteggere il prodotto da urti.
8. Questo prodotto è destinato esclusivamente all'uso descritto nelle presenti istruzioni. Non usare con carichi superiori al carico massimo indicato sul prodotto stesso. Non usare in atmosfera esplosiva.
9. Prima di usare il prodotto associato a un sistema di movimentazione e sollevamento di persone, il supervisor deve verificare i coefficienti d'uso richiesti per assicurare la sicurezza del personale e la conformità con le norme di sicurezza applicabili alla linea di carico sulla quale il prodotto è usato.
10. Tractel® non risponde dell'uso di questo prodotto associato a sistemi configurati in modo diverso da quanto descritto nelle presenti istruzioni.
11. Qualsiasi modifica del prodotto senza l'approvazione di Tractel® o rimozione di qualsiasi componente esonera Tractel® da ogni responsabilità.
12. Smontare il prodotto diversamente da quanto descritto nelle presenti istruzioni o ripararlo senza l'approvazione di Tractel®, in particolare sostituire i componenti originali con altri non originali esonera Tractel® da ogni responsabilità.

13. I dinamometri dynafor™ sono accessori di sollevamento soggetti alle norme di sicurezza applicabili alla rispettiva categoria di dispositivi.
14. Al termine della vita utile, il prodotto deve essere rottamato in modo da non essere più riutilizzabile. Attenersi alle norme per la tutela dell'ambiente.
15. Questo prodotto è omologato in base alle norme e agli standard europei specificati nel capitolo "11. Norme e standard"; prima della messa in funzione e dell'uso in qualsiasi altro paese, deve esserne accertata la conformità alle norme ivi applicabili. Attenersi a dette norme.
16. Qualsiasi impiego di questo prodotto su dispositivi aggiuntivi che inviano segnali a un sistema operativo è soggetto a previa analisi dei rischi specifici connessi alle funzioni operative usate e alla messa in atto di tutte le misure idonee.



“**IMPORTANTE**”: posto all’inizio di un paragrafo, indica i comportamenti da adottare per prevenire guasti o danni al prodotto che potrebbero mettere indirettamente in pericolo la vita o la salute degli operatori o di altre persone e/o danneggiare l’ambiente.



“**NB**”: posto all’inizio di un paragrafo, indica le necessarie precauzioni da mettere in atto per garantire che l’installazione, l’uso e la manutenzione vengano effettuati secondo criteri di ergonomia e funzionalità.



applicato direttamente sul prodotto o su un componente dello stesso, indica la necessità di leggere il manuale d’uso e manutenzione.

IT

2. Definizioni e pittogrammi

2.1. Definizioni

Segue il glossario con il significato dei termini usati nel presente manuale:

“**Prodotto**”: articolo o attrezzatura descritto nel presente manuale e fornito completo nella versione standard o nelle varianti disponibili.

“**Installazione**”: tutte le operazioni necessarie per portare il prodotto completo dallo stato di consegna allo stato di messa in funzione (o di applicazione ad altri elementi che ne permettono la messa in funzione).

“**Supervisore**”: persona o ufficio responsabile della gestione e della sicurezza d’uso del prodotto descritto nel manuale.

“**Tecnico**”: persona qualificata con esperienza sul prodotto addetta agli interventi di manutenzione ammessi descritti nel manuale.

“**Operatore**”: persona addetta all’uso del prodotto in conformità con le istruzioni riportate nel presente manuale.

“**MR**”: intervallo di misurazione (fondo scala).

“**SWL**”: portata nominale.

2.2. Pittogrammi



“**PERICOLO**”: posto all’inizio di un paragrafo, indica i comportamenti da adottare per prevenire lesioni da lievi a letali nonché danni all’ambiente.

3. Descrizione e marcature

3.1. Presentazione

I sensori di forza ad alta precisione (0,2% MR) dynafor™ Pro sono sensori di misura delle forze e di indicazione dei carichi. La portata varia da 1 a 250 tonnellate.

Il materiale viene fornito con le batterie in una confezione* che include:

- Il dispositivo dynafor™ Pro
- Il relativo manuale di installazione, uso e manutenzione
- Il relativo certificato di taratura
- La relativa dichiarazione di conformità

*Per dynafor™ Pro con portata di 100 t e 250 t, il materiale viene fornito in una cassa di legno.

Certificato di taratura

Questo documento valido un anno certifica che il sensore è stato tarato secondo una procedura interna di Tractel® su un banco di calibrazione dotato di sensore standard collegato allo standard internazionale.

Opzione: Certificato di taratura ISO 376

Su richiesta è possibile ricevere il sensore con un certificato di taratura ISO 376 fino a 50 tonnellate.

Tale documento, valido fino a 26 mesi, certifica che il prodotto è stato tarato in conformità alla norma ISO 376 su un banco di calibrazione dotato di sensore standard collegato allo standard internazionale.

Le tecnologie adottate a livello di radio e software offrono, oltre agli usi tradizionali previsti per un dinamometro, molteplici possibilità di configurazione che combinano vari sensori. Inoltre consentono l’accesso a funzioni avanzate quali la registrazione, la gestione delle soglie e il monitoraggio.

L'opzione di collegare un PC mediante interfaccia USB offre possibilità di gestione e archiviazione dei dati.

Le diverse combinazioni disponibili sono descritte nel capitolo 4. Attrezzature associate.

3.2. Principio di funzionamento

Il principio di funzionamento di dynafor™ Pro si basa sulla misurazione di un corpo metallico soggetto a forza di trazione, per mezzo di un estensimetro.

Il prodotto agisce in tutte le direzioni.

3.3. Marcature

V. fig. 1.

A	Anello di fissaggio
B	Pannello frontale
C	Indicatore di funzionamento
D	Portata massima del sensore
E	Corpo del sensore
F	Modello
G	Pulsante on/off (avvio/arresto)
H	Piastra posteriore
I	Vite di fissaggio del coperchio J
J	Coperchio del vano batterie
K	Vano batterie (3 "AA")
L	Fabbricante
M	Numero di serie
N	Codice QR che reindirizza alla piattaforma tracinfo contenente manuale, certificato di taratura e scheda tecnica

4. Attrezzature associate

Il prodotto è compatibile con le seguenti attrezzature:

Accessori di sollevamento:

- Grillo a lira
- Gancio girevole

dynafor™	Grillo a lira	Gancio girevole
Pro 1t	47916	40977 (tipo A)
Pro 3.2t	47916	40977 (tipo A)
Pro 6.5t	47926	105567 (tipo B)
Pro 15t	112427	113227 (tipo C)
Pro 25t	47946	51207 (tipo C)
Pro 50t	47956	Su misura
Pro 100t	38166	Su misura
Pro 250t	93106	Su misura

I particolari degli accessori di sollevamento sono riportati nella scheda tecnica e nell'illustrazione dei grilli a lira nella figura 2 e del gancio girevole nella figura 3.

Gli accessori di sollevamento diversi da quelli raccomandati da Tractel® devono presentare dimensioni adeguate in base alle norme vigenti a livello locale.

Dispositivi di visualizzazione:

- L'unità di visualizzazione remota dynafor™ HHD offre molteplici funzionalità, tra cui la possibilità di leggere e gestire 4 sensori fino a una distanza di 400 m all'aperto. Codici: 293609 quando acquistato insieme a un sensore dynafor™ Expert or Pro
Codici: 293449 quando acquistato separatamente
- Unità di visualizzazione ampia AL128 per una visibilità elevata, altezza delle cifre di 128 mm con comunicazione wireless fino a 200 m all'aperto.
Codice: 293489


Modulo di gestione delle soglie di sicurezza:

- Unità di monitoraggio dynafor™ (DMU) che offre le stesse funzionalità dell'unità di visualizzazione remota dynafor™ HHD e consente di controllare fino a 5 relè.
Codice: 293479

Software:

- Software Loader per scaricare i dati registrati nell'unità di visualizzazione remota dynafor™ HHD in un computer.
Codice: 293509
- Il software Monitoring consente di visualizzare, registrare e analizzare in diretta i valori di carico per un massimo di 8 sensori. È necessaria l'unità di visualizzazione remota dynafor™ HHD.
Codice: 68968
- App dynafor™ per visualizzare il valore di carico di un sensore da uno smartphone o un tablet mediante Bluetooth a una distanza massima di 30 m all'aperto. Disponibile per iOS e Android.

5. Usi

 Il supervisore deve assicurarsi che l'installazione venga effettuata da un tecnico. Il supervisore deve assicurarsi che l'operatore abbia controllato questa installazione, il funzionamento e il manuale di manutenzione prima di usare il prodotto.

5.1. Come installare le batterie

Le tre batterie da 1,5 V "AA" vengono installate in fabbrica.

Attivare le batterie staccando la linguetta isolante che fuoriesce dal vano delle batterie. Per sostituire le batterie successivamente fare riferimento al capitolo 7.1. Sostituzione delle batterie.

5.2. Installazione

Durante l'installazione è assolutamente necessario:

1. Assicurarsi che il punto o i punti di ancoraggio della linea di carico siano sufficientemente robusti per sopportare la forza che verrà applicata.
2. Assicurarsi che gli accessori di sollevamento alle due estremità del prodotto siano compatibili e conformi alle norme locali pertinenti.
3. Bloccare i grilli in maniera corretta avvitando il perno fino alla fine. Bloccare il gancio a forcella in maniera corretta con il relativo perno di sicurezza. Assicurarsi che il fermo di sicurezza sia presente e perfettamente funzionante.
4. Attendere che il prodotto si allinei liberamente alla linea di forza.
5. Controllare la presenza e lo stato delle batterie del sensore.
6. Connettere il prodotto all'unità di visualizzazione remota o a uno smartphone attraverso l'app Tractel.
7. Verificare la presenza di un buon collegamento radio tra il sensore e la scatola di visualizzazione.

Usare il prodotto solo con una forza di tensione.

Il prodotto può essere usato in tutte le direzioni, anche in orizzontale.


La temperatura di esercizio alla quale il prodotto dà buone prestazioni è compresa tra -20 °C e +50 °C.

5.4.3. Informazioni fornite dal LED del sensore

MODALITÀ di funzionamento del sensore	Lampeggiamento del LED del sensore	Misurazioni al secondo	Durata utile delle batterie
Arresto	Spento	-	-
Standard	1 lampeggiamento al secondo	4 al secondo	300 h
Risparmio energetico*	1 lampeggiamento ogni 4 secondi	1 ogni 4 secondi	1.000 h
Sospensione	1 lampeggiamento ogni 8 secondi	-	3.000 h
Picco di carico	2 lampeggiamenti al secondo	32 al secondo	100 h
Carica delle batterie bassa.	Come le modalità separate, ma un LED alla volta		-

*L'impostazione predefinita di fabbrica prevede il passaggio automatico alla modalità di risparmio energetico se non si verificano variazioni di carico (10% di SWL) per 5 minuti. La modalità di risparmio energetico è regolabile. Consultare il manuale dell'unità di visualizzazione remota dynafor™ HHD.

5.4.4. Funzionamento nella configurazione multipla e ampliata

 **NB:** per ulteriori dettagli consultare i manuali delle attrezzature associate indicati nel paragrafo 4. Attrezzatura associata.

La configurazione multipla consiste nel collegare fino a quattro sensori e uno o più dispositivi di visualizzazione. I sensori possono avere portate differenti. Per più di quattro sensori è necessaria l'opzione di collegamento con PC.

L'uso a temperature al di fuori di questo intervallo richiede l'applicazione di una protezione termica.

5.3. Come avviare il sensore

Assicurarsi di accendere il sensore prima dell'unità di visualizzazione remota, altrimenti quest'ultima non sarà in grado di stabilire il collegamento radio.

Un impulso luminoso sul pulsante di avvio/arresto situato al centro della membrana attiva l'interruttore ON/OFF (v. fig. 4., elemento G).

Quando viene accesa l'alimentazione, i due LED rossi cominciano a lampeggiare contemporaneamente.

5.4. Funzioni

5.4.1. Funzionamento nella configurazione di base

La configurazione di base consiste nell'usare un kit composto da un singolo sensore e una singola unità di visualizzazione remota e/o un singolo sensore e uno smartphone in cui è installata l'app dynafor™. Il kit misura e visualizza la forza in corrispondenza del sensore.

5.4.2. Azzeramento automatico

Quando dynafor™ Pro viene acceso, l'unità di visualizzazione associata indica "0" se la forza misurata è inferiore al 10% del carico di esercizio (SWL) del prodotto.

Per alcune applicazioni, è utile visualizzare le misurazioni effettuate da vari sensori in una singola unità di visualizzazione remota dynafor™ HHD.

Esempio: caricare un peso con una barra di distribuzione sospesa a due argani, ciascuno dotato di un sensore. Il raggruppamento delle due misurazioni della forza su una singola unità di visualizzazione remota dynafor™ HHD consente all'operatore di vedere le due forze e il valore totale e di controllare che il carico sia distribuito correttamente tra i due argani.

Contattare Tractel® per ulteriori informazioni sulle configurazioni multiple.

5.5. Spegnerne il prodotto

Per spegnere il prodotto, tenere premuto il pulsante di avvio/arresto per 2 secondi senza esercitare una pressione eccessiva.

In assenza di variazioni del carico, il prodotto entra automaticamente in modalità di sospensione dopo 20 minuti. La sospensione automatica preserva le batterie del sensore.

Il sensore si riattiva automaticamente quando viene ricollegato un dispositivo di visualizzazione.

La sospensione automatica è regolabile. Consultare il manuale dell'unità di visualizzazione remota dynafor™ HDD.

5.6. Disinstallazione

Prima di disinstallare il prodotto, assicurarsi che non siano più presenti forze di tensione.

Pulire e stoccare il prodotto come descritto nei capitoli 7.2. Altre ispezioni e 8. Trasporto e stoccaggio.

6. Usi vietati

SEGUE UN ELENCO DI AZIONI VIETATE

V. fig. 6

- Usare il prodotto in un sistema di movimentazione e sollevamento di persone senza aver preventivamente effettuato un'analisi dei rischi specifici.
- Modificare il prodotto.
- Usare il prodotto oltre il suo carico di esercizio (SWL) con forze statiche o dinamiche.
- Saldare ad arco con il prodotto nel circuito di terra.
- Esporre il prodotto a scosse elettriche e/o elettromagnetiche.
- Smontare o aprire il prodotto.
- Usare il prodotto per operazioni diverse da quelle descritte nel presente manuale.
- Usare il prodotto in presenza del rischio di carichi di compressione, di flessione o di torsione.
- Impedire che il prodotto si allinei alla linea di forza.
- Usare il prodotto in ambiente altamente corrosivo.
- Usare il prodotto in atmosfera esplosiva.
- Usare il prodotto al di fuori dell'intervallo di temperatura tra -20 °C e 50 °C.
- Usare il prodotto se è stato sottoposto a una forza superiore del 110% al suo carico di esercizio (SWL).
- Usare il prodotto se non lo si ritiene in buono stato.

- Usare il prodotto se le marcature sono assenti o illeggibili.
- Usare il prodotto con accessori in acciaio inossidabile.

7. Manutenzione e ispezione periodica

7.1. Sostituzione delle batterie

Quando le batterie sono scariche, i LED al centro del pulsante di avvio/arresto del sensore lampeggiano consecutivamente.

Sull'unità di visualizzazione remota compare inoltre un avviso. Devono essere sostituite.

- Togliere il coperchio del vano batterie usando un cacciavite a croce.
- Sostituire le tre batterie "AA" da 1,5 V con due nuove facendo attenzione alla polarità.
- Rimettere il coperchio del vano batterie e fissarlo con le viti in modo che sia perfettamente allineato con lo spigolo del vano batterie.

7.2. Altre ispezioni

Tractel® raccomanda di effettuare un'ispezione visiva del prodotto a intervalli regolari e di pulire regolarmente i sensori con un panno asciutto.

Tractel® raccomanda anche di ritarare il prodotto una volta all'anno (per le regolazioni v. il capitolo 3.1 Presentazione) prima della scadenza della validità del certificato.

Su richiesta, Tractel® può fornire questi servizi.

8. Trasporto e stoccaggio

Durante il trasporto e lo stoccaggio, il prodotto deve essere:

- imballato nella confezione originale e senza batterie
- stoccato in un ambiente asciutto
- stoccato a una temperatura compresa tra -20 °C e 60 °C
- protetto da agenti chimici, meccanici o di altro tipo.

9. Smaltimento del prodotto e tutela dell'ambiente

Il prodotto deve essere smaltito in conformità con le norme applicabili nel paese di utilizzo.

Il prodotto è conforme ai requisiti del regolamento REACH e della direttiva RoHS; non rientra nella direttiva WEEE.

I diversi componenti del prodotto devono essere riciclati in base a quanto indicato nella tabella sottostante, dopo aver separato le parti in metallo e quelle in materiale sintetico. Questi materiali devono essere riciclati da aziende specializzate.

Lo smantellamento del prodotto e la separazione dei componenti per lo smaltimento è riservato solo al personale formato.

Componente	Da trattare come rifiuto di tipo
Corpo del prodotto	Alluminio
Alloggiamento del controller (plastica)	Rifiuto comune
Scheda a circuito stampato e display	Componenti elettronici
Batterie	Accumulatore

10. Specifiche tecniche

Modello		Pro 1	Pro 3.2	Pro 6.5	Pro 15	Pro 25	Pro 50	Pro 100	Pro 250
SWL	t	1	3,2	6,5	15	25	50	100	250
Coefficiente di sicurezza		> 4							
Accuratezza	+/- %	0,2% EM a 21 °C							
	+/- kg	2	6,4	13	30	50	100	200	500
Risoluzione	kg	0,2	0,5	1	5	10	20	50	100
Frequenza misurata	Hz	4 Hz-32 Hz in modalità picco di carico - 1 Hz in modalità risparmio energetico							
Dispositivo di visualizzazione max	%	110% dell'SWL							
Durata utile delle batterie	h	Da 300 a 1.000 a seconda dell'uso							
Tecnologia RF (radiofrequenza)		2,4 GHz - 2,4835 GHz proprietaria, portata fino a 400 m all'aperto							
Potenza radio RF	dBm	9,5							
Tecnologia Bluetooth		BLE 4.0 (2,4 GHz - 2,4835 GHz), portata fino a 30 m all'aperto							
Potenza radio BLE	dBm	7,71							
Peso	kg	0,70	0,86	1,60	3,66	5,33	11,45	27,48	97,98
Grado di protezione IP		IP 64 (IP 67 come opzione)							
Temperatura di esercizio	°C	Da -20 °C a +50 °C							
Materiale del sensore		Alluminio				Alluminio ad alta resistenza			
Batterie		3 batterie AA							
Dimensioni (v. fig. 5)									
A	mm	216	216	248	319	357	446	559	797
B		192,8	193,8	214,1	269,8	301,6	371,2	454,2	609,1
C		21,5	21,5	28,8	46,5	57,4	78,8	107,6	162,1
D		79	92	113	119	132	152	196	329
E		23	23	32	51	61	90	129	180
G		39	39	39	62	65	91	133,5	Irrilevante

11. Norme e standard

Il prodotto descritto nel presente manuale è conforme ai seguenti standard.

Standard europei

Direttiva macchine 2006/42/EC
Direttiva 2014/53/UE (RED)

Riferimento per le norme radio
EN300440 V2.1.1
EN300328 V2.2.2
ETSI 203367 V1.1.0

Riferimento per le norme di salute
EN62479 (2010)

Riferimento per le norme CEM
EN61326-1 (2013)
EN301 489-1 e 17

Riferimento per le norme di sicurezza elettrica
IEC/EN61010-1 (em. 1 ed. 3)

Standard australiani e neozelandesi

Riferimento per le norme di sicurezza elettrica
AS/NZ61010-1

Standard russi

Riferimento per le norme CEM e di sicurezza elettrica
Regolamento tecnico CU TR 020/2011

Standard internazionali

IEC 61326-1 ed. 2: 2012
IEC 61311: 2007

Standard statunitensi e canadesi

Riferimento per le norme radio
FCC capitolo 15
RSS-GEN e RSS-210

Riferimento per le norme CEM
FCC capitolo 15
ICES-003

NB: questa attrezzatura è stata testata e dichiarata conforme ai limiti per un dispositivo digitale di classe A, ai sensi del capitolo 15 delle norme FCC. Tali limiti

hanno lo scopo di fornire una protezione ragionevole contro le interferenze dannose quando l'attrezzatura viene usata in un ambiente commerciale. La presente attrezzatura genera, usa e può emettere onde radio e, qualora non venga installata e usata secondo il manuale d'istruzioni, può causare interferenze dannose per le comunicazioni radio. Il funzionamento dell'attrezzatura in un'area residenziale rappresenta una probabile causa di interferenze dannose, nel qual caso l'utente è tenuto a eliminarle a sue spese.

NB: questo prodotto è conforme allo standard RSS di Industry Canada applicabile agli apparecchi radio esenti da licenza. L'attrezzatura può essere usata alle seguenti due condizioni: (1) non deve causare alcuna interferenza e (2) l'utente del dispositivo deve essere pronto ad accettare la ricezione di eventuali interferenze radio, anche qualora rischiano di compromettere il funzionamento del dispositivo.

In conformità ai regolamenti di Industry Canada, il presente trasmettitore radio può essere usato con un'antenna di tipo e guadagno massimo (o inferiore) omologati per il trasmettitore da Industry Canada.

Al fine di ridurre il rischio di interferenze radio per gli altri utenti, il tipo e il guadagno dell'antenna devono essere scelti in maniera tale che la potenza isotropica irradiata equivalente (e.i.r.p.) non superi l'intensità richiesta per stabilire una comunicazione soddisfacente.

12. Risoluzione dei problemi

Problemi	Possibili cause	Rimedi
Il sensore non si accende	Batterie scariche.	Sostituire le batterie.
	Componenti elettronici difettosi.	Contattare Tractel®
Lampeggiamento del LED del sensore a 4 Hz (4 volte al secondo)	Assenza di comunicazione tra il sensore e la relativa scheda a circuito stampato.	Contattare Tractel®

Per eventuali altri problemi relativi all'unità di visualizzazione remota, consultare il manuale.

13. Dichiarazione di conformità

Copia della dichiarazione di conformità in allegato

Sumário

1. Instruções de prioridade.....	51
2. Definições e pictogramas	52
2.1. Definições	52
2.2. Pictogramas.....	52
3. Descrição e marcações.....	52
3.1. Apresentação.....	52
3.2. Princípio operacional	53
3.3. Marcações.....	53
4. Equipamento associado	53
5. Utilizações	54
5.1. Instalar as baterias	54
5.2. Instalação	54
5.3. Iniciar o sensor	54
5.4. Funções.....	54
5.4.1. Operação em configuração básica	54
5.4.2. Zeragem automática.....	54
5.4.3. Informação proporcionada pelo LED do sensor	54
5.4.4. Operação em configuração múltipla e estendida	55
5.5. Desligar o produto	55
5.6. Desinstalação	55
6. Utilizações não autorizadas.....	55
7. Manutenção e verificação periódica	55
7.1. Substituição das baterias.....	55
7.2. Outras verificações.....	55
8. Transporte e armazenamento	56
9. Eliminação do produto e proteção ambiental.....	56
10. Especificações técnicas	56
11. Regulamentos e normas.....	57
12. Resolução de problemas.....	57
13. Declaração de conformidade.....	57

1. Instruções de prioridade

1. Antes de instalar e utilizar este produto, é essencial que leia estas instruções e cumpra as mesmas para uma utilização segura e eficaz. Uma cópia destas instruções deve ser disponibilizada a todos os operadores. Podem ser obtidas cópias adicionais da Tractel® a pedido.
2. Não utilize este produto se qualquer uma das etiquetas afixadas no mesmo ou qualquer um dos seus acessórios, ou qualquer uma das marcações no mesmo conforme mostrado no fim deste manual, já não estiverem presentes ou não forem legíveis. Etiquetas idênticas podem ser obtidas da Tractel® a pedido e devem ser afixadas antes de se continuar a utilizar este produto.
3. Certifique-se de que qualquer utilizador deste produto está familiarizado com a sua operação e é capaz de aplicar os requisitos de segurança para a tarefa a ser realizada. Estas instruções devem ser disponibilizadas a estes utilizadores. Proteja o seu equipamento contra intervenção não controlada.
4. Este produto deve ser instalado e posto em operação em condições que garantam a segurança do instalador em conformidade com os regulamentos locais aplicáveis.
5. Sempre que utilizar este produto, inspecione primeiro a sua condição e a de quaisquer acessórios. Nunca utilize um produto que não aparente estar em boa condição.
6. Devolva o produto ao fabricante para reparação se existirem quaisquer problemas visíveis ou operacionais não relacionados com a condição das baterias.
7. Proteja os produtos contra choques.
8. Este produto nunca pode ser utilizado para operações que não sejam aquelas descritas nestas instruções. Nunca pode ser utilizado para cargas acima da carga de trabalho segura indicada no produto. Nunca pode ser utilizado numa atmosfera explosiva.
9. Antes de este produto ser utilizado num sistema para transporte humano, o supervisor deve primeiro verificar a aplicação dos coeficientes de utilização exigidos para a segurança dos trabalhadores, e cumprimento geral dos regulamentos de segurança aplicáveis à linha de carga na qual é utilizado.
10. A Tractel® não se responsabiliza pela operação deste produto numa configuração de montagem não descrita nestas instruções.
11. Qualquer modificação deste produto sem a aprovação da Tractel® ou qualquer remoção de qualquer componente liberta a Tractel® de qualquer responsabilidade.

PT

12. Qualquer desmontagem deste produto não descrita neste dispositivo ou qualquer trabalho de reparação não aprovado pela Tractel® liberta a Tractel® de qualquer responsabilidade, especialmente se peças originais forem substituídas por peças de outra origem.
13. Um dinamómetro dynafor™ é um acessório de elevação e devem ser aplicados os regulamentos de segurança aplicáveis a essa categoria de equipamento.
14. Quando o produto é finalmente retirado de serviço, o mesmo deve ser destruído de forma a que não possa ser utilizado novamente. Cumpra os regulamentos de proteção ambiental.
15. Este produto está aprovado em conformidade com os regulamentos europeus e as normas especificadas na secção "11. Regulamentos e normas", e deve ser verificado quanto ao cumprimento dos regulamentos de qualquer outro país no qual possa ser utilizado, antes da entrada em funcionamento e utilização. Cumpra tais regulamentos.
16. Qualquer utilização deste produto com equipamento adicional que transmita os seus sinais a um sistema operacional deve ser precedida por uma análise de risco específica para as funções operacionais utilizadas e todas as medidas apropriadas devem ser tomadas em conformidade.

2. Definições e pictogramas

2.1. Definições

Neste manual, os seguintes termos têm o significado indicado abaixo:

"Produto": item ou equipamento descrito neste manual e fornecido completo na versão standard, ou nos seus diversos modelos existentes.

"Instalação": todas as operações exigidas para passar o produto completo do estado no qual foi fornecido para um estado de entrada em funcionamento (ou ligação a outros elementos para entrada em funcionamento).

"Supervisor": indivíduo ou parte responsável pela gestão e utilização segura do produto descrito no manual.

"Técnico": pessoa qualificada familiarizada com o produto, responsável pelas operações de manutenção descritas e permitidas no manual.

"Operador": indivíduo que utiliza o produto em conformidade com as instruções neste manual.

"MR": intervalo de medição (escala completa).

"SWL": carga de trabalho segura.

2.2. Pictogramas



"PERIGO": quando inserido no início de um parágrafo, indica instruções para prevenir lesões que variam de danos menores a fatais, bem como ambientais.



"IMPORTANTE": quando inserido no início de um parágrafo, indica instruções para prevenir uma falha ou dano do produto que não comprometeria diretamente a vida ou saúde de operadores ou outros indivíduos e/ou que possa prejudicar o ambiente.



"NB": quando inserido no início de um parágrafo, indica as precauções necessárias a aplicar para uma instalação, utilização e manutenção eficazes e ergonómicas.



quando inserido no próprio produto ou num componente do produto, indica a necessidade de ler o manual de operação e de manutenção.

3. Descrição e marcações

3.1. Apresentação

dynafor™ Pro são sensores de força de precisão (0,2% de MR) para medir forças e indicar cargas. Gama com capacidade de 1 t a 250 t.

O material é fornecido com as suas baterias numa caixa* que contém:

- O dynafor™ Pro.
- O seu manual de instalação, operação e manutenção.
- O seu certificado de ajuste.
- A sua declaração de conformidade CE.

*Para o dynafor™ Pro com capacidades de 100 t e 250 t, o material é fornecido numa caixa de madeira.

Certificado de ajuste

Este documento é válido durante um ano e certifica que o sensor foi ajustado com a utilização de um procedimento interno da Tractel® num banco de calibração com um sensor padrão associado à norma internacional.

Opção: Certificado de calibração ISO 376

A pedido, o sensor pode ser fornecido com um certificado de calibração ISO 376 até 50 t.

O presente documento, que é válido até 26 meses, certifica que o produto foi calibrado de acordo com a norma ISO 376, num banco de calibração cujo sensor padrão está associado à norma internacional.

As tecnologias implementadas aos níveis de rádio e software oferecem, para além das utilizações tradicionais esperadas de um dinamómetro, múltiplas possibilidades de configuração que combinam vários sensores. Também proporcionam acesso a funções avançadas como registo, gestão de limiares e monitorização.

A opção de uma ligação de PC através de uma porta USB abre a porta para a gestão e arquivo de dados.

As diferentes combinações possíveis são descritas no capítulo 4. Equipamento associado.

3.2. Princípio operacional

O princípio operacional do dynafor™ Pro tem como base a medição, com a utilização de extensómetros, do alongamento, dentro do limite elástico, de um corpo metálico sujeito a tensão de tração.

O produto opera em todas as direções.

3.3. Marcações

Ver a Figura 1.

A	Anel de fixação
B	Painel frontal
C	Indicador de operação
D	Capacidade máxima do sensor
E	Corpo do sensor
F	Modelo
G	Botão de Ligar/Desligar (Iniciar/Parar)
H	Placa posterior
I	Parafuso de fixação da cobertura J
J	Cobertura do compartimento das baterias
K	Compartimento de baterias (3 x "AA")
L	Fabricante
M	Número de série
N	Código QR direcionando para a plataforma tracinfo que contém o manual, certificado de ajuste e ficha de dados

4. Equipamento associado

O produto é compatível com o seguinte equipamento:

Acessórios de elevação:

- manilha curva
- gancho giratório

dynafor™	Manilha curva	Gancho giratório
Pro 1t	47916	40977 (tipo A)
Pro 3.2t	47916	40977 (tipo A)
Pro 6.5t	47926	105567 (tipo B)
Pro 15t	112427	113227 (tipo C)
Pro 25t	47946	51207 (tipo C)
Pro 50t	47956	Personalizado
Pro 100t	38166	Personalizado
Pro 250t	93106	Personalizado

Para obter detalhes sobre acessórios de elevação, consulte a ficha técnica, ilustração das manilhas curvas na Figura 2 e gancho giratório na Figura 3.

Os acessórios de elevação não recomendados pela Tractel® devem ser corretamente dimensionados de acordo com os regulamentos locais vigentes.

Dispositivos de exibição:

- A unidade de exibição remota dynafor™ HHD oferece múltiplas funcionalidades incluindo a leitura e gestão de 4 sensores até uma distância de 400 m ao ar livre. Códigos: 293609 quando adquirido simultaneamente com um sensor dynafor™ Expert ou Pro Código: 293449 quando adquirido separadamente
- Unidade de exibição grande AL128 para elevada visibilidade, dígitos de 128 mm de altura com comunicação sem fios até 200 m ao ar livre. Código: 293489

Módulo de gestão de segurança de limiar:

- A unidade de monitorização dynafor™ (DMU) oferece as mesmas funcionalidades que a unidade de exibição remota dynafor™ HHD e permite controlar até 5 relés. Código: 293479

Software:

- Software carregador para transferir os dados gravados na unidade de exibição remota dynafor™ HHD para um computador. Código: 293509
- O software de monitorização permite que os valores de carga sejam exibidos, registados e analisados em tempo real para até 8 sensores. Requer a unidade de exibição remota dynafor™ HHD. Código: 68968
- Aplicação dynafor™ para exibir o valor de carga de um sensor a partir de um smartphone ou tablet através de Bluetooth até 30 m ao ar livre. Disponível em iOS e Android.

5. Utilizações



O supervisor deve certificar-se de que um técnico é encarregue da instalação do produto. O supervisor deve certificar-se de que o operador verificou este manual de instalação, operação e manutenção antes de utilizar o produto.

5.1. Instalar as baterias

As três baterias "AA" de 1,5 V são instaladas de fábrica.

Remover a aba isolante que sobressai do compartimento das baterias para ativar as baterias. Para uma substituição posterior das baterias, consulte a secção 7.1. Substituição das baterias.

5.2. Instalação

Durante a instalação, é absolutamente necessário:

1. Certificar-se de que o ponto ou pontos de ancoragem da linha de carga são suficientemente fortes para a força que será aplicada.
2. Certificar-se de que os acessórios de elevação em ambas as extremidades do produto são compatíveis e cumprem os regulamentos locais aplicáveis.
3. Travar corretamente as manilhas aparafusando totalmente o seu pino. Travar o pino de gancho de forquilha corretamente com o seu pino de segurança. Certificar-se de que o fecho de segurança do gancho está presente e em bom estado de funcionamento.
4. Permitir que o produto se alinhe livremente na linha de força.
5. Verificar a presença e condição das baterias no sensor.
6. Ligar o produto à unidade de exibição remota ou a um smartphone através da aplicação da Tractel.

5.4.3. Informação proporcionada pelo LED do sensor

MODO de operação do sensor	Intermitência do LED do sensor	Medições por segundo	Vida útil da bateria
Parado	Desligada	-	-
Padrão	Pisca 1 vez por segundo	4 por segundo	300 h
Económico*	Pisca 1 vez a cada 4 segundos	1 vez a cada 4 segundos	1000 h
Suspensão	Pisca 1 vez a cada 8 segundos	-	3000 h
Carga de ponta	Pisca 2 vezes por segundo	32 por segundo	100 h
Baterias fracas.	Idêntico a modos separados, mas um LED ao mesmo tempo		-

*A configuração padrão de fábrica é alternar automaticamente para o modo económico se não houver variação de carga (10% de SWL) durante 5 minutos. Este modo económico é ajustável. Ver o manual da unidade de exibição remota dynafor™ HDD.

7. Certificar-se de que existe uma boa ligação de rádio entre o sensor e a caixa de exibição.

Utilizar o produto apenas com força de tração.

O produto pode ser utilizado em todas as direções, incluindo horizontalmente.

O produto funciona satisfatoriamente num intervalo de temperatura de -20 °C a +50 °C. Para utilização para além dessas temperaturas, o produto deve ter proteção térmica.

5.3. Iniciar o sensor

Ligue sempre o sensor antes de ligar a unidade de exibição remota, caso contrário, a unidade de exibição remota não será capaz de estabelecer a ligação de rádio.

Um leve impulso no botão Iniciar/Parar localizado no centro da membrana ativa o interruptor LIGAR/DESLIGAR. (Ver a Figura 4, item F.)

Quando a energia é ligada, os dois LEDs vermelhos começam a piscar simultaneamente.

5.4. Funções

5.4.1. Operação em configuração básica

A configuração básica consiste na utilização de um conjunto composto por um único sensor e uma única unidade de exibição remota e/ou um único sensor e um smartphone equipado com a aplicação dynafor™. Este conjunto mede e exhibe a força no sensor.

5.4.2. Zeragem automática

Quando o dynafor™ Pro é ativado, a unidade de exibição associada irá mostrar "0", desde que a força medida seja inferior a 10% da SWL do produto.

5.4.4. Operação em configuração múltipla e estendida



NB: para obter mais detalhes, consulte os manuais do equipamento associado definido no parágrafo 4. Equipamento associado.

A configuração múltipla consiste em ligar até quatro sensores e um ou mais dispositivos de exibição. Os sensores podem ter diferentes capacidades. (Para mais do que quatro sensores, é necessária a opção de ligação a PC).

Para algumas aplicações, é útil exibir as medições a partir de vários sensores numa única unidade de exibição remota dynafor™ HHD.

Exemplo: levantar uma carga com uma barra espaçadora suspensa por dois guinchos, cada um equipado com um sensor. O agrupamento das duas medições de força numa única unidade de exibição remota dynafor™ HHD permite que o operador visualize as duas forças e o seu valor total e verifique se a carga está distribuída corretamente entre os dois guinchos.

Entre em contacto com a Tractel® para obter informações adicionais sobre configurações múltiplas

5.5. Desligar o produto

Para desligar o produto, premir e manter premido o botão de Iniciar/Parar durante 2 segundos sem premir com demasiada força.

Se não existir qualquer variação de carga, o produto entrará em suspensão automaticamente após 20 minutos. Esta suspensão automática conserva as baterias do sensor.

O sensor liga-se de novo automaticamente quando um dispositivo de exibição é ligado novamente.

Esta suspensão automática pode ser ajustada. Ver o manual da unidade de exibição remota dynafor™ HHD.

5.6. Desinstalação

Ao desinstalar o produto, certifique-se de que todas as forças de tração foram previamente removidas.

Limpe o produto e armazene-o de acordo com as secções 7.2. Outras verificações e 8. Transporte e armazenamento.

6. Utilizações não autorizadas

É PROIBIDO O SEGUINTE:

Ver a Figura 6

- Utilizar o produto num sistema para transporte humano sem primeiro realizar uma análise de risco específica.
- Modificar o produto.
- Utilizar o produto para além da sua SWL com forças estáticas ou dinâmicas.
- Soldadura por arco com o produto no circuito de terra.
- Expor o produto a qualquer choque elétrico e/ou eletromagnético.
- Desmontar ou abrir o produto.
- Utilizar o produto para operações que não aquelas descritas neste manual.
- Utilizar o produto se existir um risco de o mesmo ser sujeito a cargas de compressão, de flexão ou de torção.
- Impedir que o produto seja alinhado na linha de força.
- Utilizar o produto num ambiente altamente corrosivo.
- Utilizar o produto num ambiente explosivo.
- Utilizar o produto fora do intervalo de temperatura de -20 °C a 50 °C.
- Utilizar o produto se o mesmo tiver sido submetido a uma força acima de 110% da sua SWL.
- Utilizar o produto se não aparentar estar em boa condição.
- Utilizar o produto se as marcações estiverem em falta ou ilegíveis.
- Utilizar o produto com acessórios de aço inoxidável.

7. Manutenção e verificação periódica

7.1. Substituição das baterias

Os LEDs no centro do botão de Iniciar/Parar do sensor piscam um depois do outro quando as baterias estão vazias.

Também é exibida uma mensagem de aviso na unidade de exibição remota. Estas devem ser substituídas.

- Utilizando uma chave de fendas Philips, remova a cobertura do compartimento das baterias.
- Substitua as três baterias "AA" de 1,5 V por novas, tendo em atenção as polaridades.
- Coloque novamente a cobertura do compartimento das baterias e aperte os parafusos de fixação de forma que a cobertura fique nivelada com a margem do compartimento das baterias.

7.2. Outras verificações

A Tractel® recomenda inspecionar periodicamente a condição visual do produto e limpar o sensor regularmente com um pano seco.

A Tractel® recomenda também a recalibração anual (para ajuste, ver a secção 3.1. Apresentação) antes de o certificado válido expirar.

A Tractel® pode fornecer estes serviços a pedido.

8. Transporte e armazenamento

Durante o armazenamento e/ou transporte, o produto deve ser:

- embalado na sua embalagem original com as baterias removidas
- armazenado num local seco
- armazenado a uma temperatura entre -20 °C e 60 °C
- protegido contra ataques químicos, mecânicos ou qualquer outro tipo de ataque.

9. Eliminação do produto e proteção ambiental

O produto deve ser eliminado em conformidade com os regulamentos nacionais aplicáveis no país da utilização.

O produto cumpre as exigências do regulamento REACH e da diretiva RoHS; o mesmo não está coberto pela diretiva WEEE.

Os diferentes componentes do produto devem ser reciclados com base na tabela abaixo, após a separação dos materiais metálicos e sintéticos. Estes materiais devem ser reciclados por organizações especializadas.

No momento da eliminação, apenas indivíduos treinados podem desmontar o produto para separar os seus componentes.

Componente	A ser tratado como um resíduo do tipo
Corpo do produto	Alumínio
Alojamento eletrónico (plástico)	Resíduo comum
Placa de circuito impresso e visor	Eletrónica
Baterias	Acumulador

10. Especificações técnicas

Modelo		Pro 1	Pro 3.2	Pro 6.5	Pro 15	Pro 25	Pro 50	Pro 100	Pro 250
SWL	t	1	3,2	6,5	15	25	50	100	250
Coeficiente de segurança		> 4							
Precisão	+/- %	0,2% EM a 21 °C							
	+/- kg	2	6,4	13	30	50	100	200	500
Resolução	kg	0,2	0,5	1	5	10	20	50	100
Frequência de medição	Hz	4 Hz-32 Hz em modo de carga de ponta – 1 Hz em modo económico							
Exibição máxima	%	110% da SWL							
Vida útil da bateria	h	300 a 1000 dependendo da utilização							
Tecnologia de RF (radiofrequência)		2,4 GHz – 2,4835 GHz proprietário, intervalo até 400 m ao ar livre							
Potência de saída de rádio RF	dBm	9,5							
Tecnologia Bluetooth		BLE 4.0 (2,4 GHz – 2,4835 GHz), intervalo até 30 m ao ar livre							
Potência de saída de rádio BLE	dBm	7,71							
Peso	kg	0,70	0,86	1,60	3,66	5,33	11,45	27,48	97,98
Classificação IP		IP 64 (IP 67 como opção)							
Temperatura operacional	°C	-20 °C a +50 °C							
Material do sensor		Alumínio				Alumínio de elevada resistência			
Baterias		3x AA							
Dimensões (ver a Figura 5)									
A	mm	216	216	248	319	357	446	559	797
B		192,8	193,8	214,1	269,8	301,6	371,2	454,2	609,1
C		21,5	21,5	28,8	46,5	57,4	78,8	107,6	162,1
D		79	92	113	119	132	152	196	329
E		23	23	32	51	61	90	129	180
G		39	39	39	62	65	91	133,5	Irrelevante

11. Regulamentos e normas

O produto descrito neste manual cumpre o seguinte:

Normas europeias

Diretiva 2006/42/EC, relativa às máquinas
Diretiva 2014/53/EU (RED)

Referência de normas de rádio
EN300440 V2.1.1
EN300328 V2.2.2
ETSI 203367 V1.1.0

Referência de normas de saúde
EN62479 (2010)

Referência de normas EMC
EN61326-1 (2013)
EN301 489- 1 & 17

Referência de normas de segurança elétrica
IEC/EN61010-1 (Amd 1 ed. 3)

Normas australianas e neozelandesas

Referência de normas de segurança elétrica
AS/NZ61010-1

Normas russas

Referência de normas EMC e de segurança elétrica
Regulamento técnico CU TR 020/2011

Normas internacionais

IEC 61326–1 ed. 2: 2012
IEC 61311: 2007

Normas americanas e canadenses

Referência de normas de rádio
FCC secção 15
RSS-GEN & RSS-210

Referência de normas EMC
FCC secção 15
ICES-003

NB: este equipamento foi testado e considerado em conformidade com os limites para um dispositivo digital classe A, de acordo com a secção 15 dos regulamentos da FCC. Estes limites foram concebidos para proporcionar proteção razoável contra interferências prejudiciais quando o equipamento é utilizado num ambiente comercial. Este equipamento gera, utiliza e pode emitir ondas de rádio e, se não for instalado e utilizado de acordo com o manual de instruções, pode causar interferência prejudicial nas comunicações de rádio. A operação deste equipamento numa área residencial pode causar interferência prejudicial, em cujo caso o utilizador deve eliminar a interferência por conta própria.

NB: este produto está em conformidade com as RSS da Industry Canada aplicáveis a aparelhos de rádio isentos de licença. O equipamento pode ser operado sob as duas condições a seguir: (1) não deve causar qualquer interferência e (2) o utilizador do dispositivo deve estar preparado para aceitar qualquer interferência de rádio recebida, mesmo que tal interferência possa afetar a operação do dispositivo.

De acordo com os regulamentos da Industry Canada, este transmissor de rádio pode ser operado com uma antena de um tipo e ganho máximo (ou menos) aprovado para o transmissor pela Industry Canada.

Para reduzir o risco de interferência de rádio para outros utilizadores, o tipo de antena e o seu ganho devem ser escolhidos de forma que a potência irradiada isotrópica equivalente (equivalent isotropic radiated power, e.i.r.p.) não exceda a intensidade necessária para estabelecer uma comunicação satisfatória.

12. Resolução de problemas

Problemas	Possíveis causas	Soluções
O sensor não se liga	Baterias vazias.	Substitua as baterias.
	Eletrónica defeituosa.	Entre em contacto com a Tractel®.
Intermitência do LED do sensor a 4 Hz (4 vezes por segundo)	Nenhuma comunicação entre o sensor e a sua placa de circuito impresso.	Entre em contacto com a Tractel®.

Para quaisquer outros problemas relacionados com a unidade de exibição remota, consulte o manual.

13. Declaração de conformidade

Cópia da declaração de conformidade no apêndice



(GB) EU DECLARATION OF CONFORMITY
 (FR) DECLARATION UE DE CONFORMITE
 (ES) DECLARACIÓN UE DE CONFORMIDAD
 (IT) DICHIARAZIONE DI CONFORMITÀ UE
 (DE) UE-KONFORMITÄTSEERKLÄRUNG
 (NL) UE-CONFORMITEITSVERKLARING
 (PT) DECLARAÇÃO DE CONFORMIDADE UE
 (DK) EU-VERENSSTEMMELSESEERKLÆRING
 (FI) EU-VASTAAVUUSVAKUUTUS
 (NO) EU-SAMSVARSEERKLÆRING

(SE) EU-FÖRSÄKRAN OM ENSSTÄMMELSE
 (GR) ΔΗΛΩΣΗ ΣΥΜΜΟΡΦΩΣΗΣ EU
 (PL) DEKLARACJA ZGODNOŚCI UE
 (RU) СЕРТИФИКАТ СООТВЕТСТВИЯ ЕС
 (HU) EU-MEGFELELŐSÉGI NYILATKOZAT
 (CZ) EU PROHLÁ-ENÍ O SHODU
 (BG) ЕС ДЕКЛАРАЦИЯ ЗА СЪОТВЕТСТВИЕ
 (RO) DECLARATIE DE CONFORMITATE UE
 (SK) EÚ VYHLÁSENIE O ZHODE
 (SI) IZJAVA EU O USTREZNOSTI



TRACTEL S.A.S.
 RD 619, Saint-Hilaire-sous-Romilly, F-
 10102 ROMILLY-SUR-SEINE
 T : 33 3 25 21 07 00



represented by / représentée par / representado por / rappresentato da / vertreten durch / vertegenwoordigd door / representada por / repræsenteret af / edustajana / representent ved / företråds av / εκπροσωπούμενη από / reprezentowany przez / в лице / képviselő / zastoupená / представител / reprezentat de catre / zastúpená / ki ga predstavlja

M. Nicolas EMERY

TRACTEL S.A.S.
 RD 619, Saint-Hilaire-sous-Romilly,
 F-10102 ROMILLY-SUR-SEINE

General manager / Directeur Général / gerente general / Direttore generale / Generaldirektor / Algemeen manager / Director Geral / Daglig leder / Toimitusjohtaja / Daglig leder / VD / Γενικός διευθυντής / Główny menadżer / Главный управляющий / Vezérigazgató / Generální ředitel / Управител / Manager general / Generálny riaditeľ / Generalni direktor

Also responsible for technical documentation / Aussi responsable de la documentation technique / También responsable de la documentación técnica / Responsabile anche della documentazione tecnica / Auch verantwortlich für die technische Dokumentation / Tevens verantwoordelijk voor technische documentatie / Também responsável pela documentação técnica / Også ansvarlig for tekniskdokumentation / Vastaa myös teknisestä dokumentaatiosta / Også ansvarlig for teknisk dokumentasjon / Ansvarar också för teknisk dokumentation / Επίσης υπεύθυνος για την τεχνική τεκμηρίωση / Odpowiada również za dokumentację techniczną / Также отвечает за техническую документацию / Felelős a műszaki dokumentációért is / Zodpovídá také za technickou dokumentaci / Отговаря и за техническата документация / De asemenea, responsabil pentru documentația tehnică / Zodpovedá aj za technickú dokumentáciu / Odgovorna tudi za tehnično dokumentacijo



Saint Hilaire sous Romilly
 Le 26/02/2021



G B	CERTIFIES THAT: The equipment designated oppo- site is compliant with the technical safety rules applicable on the initial date of marketing in the EUROPEAN UNION by the manufacturer. MEASURES APPLIED: See below	S E	INTYGAR ATT: utrustningen som avses på motstående sida överensstämmer med de tekniska säkerhetsregler som är tillämpliga när produkten släpps på Europeiska unionens marknad. GÄLLANDE BESTÄMMELSER: Se ovan
F R	CERTIFIE QUE : L'équipement désigné ci-contre est conforme aux règles techniques de sécurité qui lui sont applicables à la date de mise sur le marché de l'UNION EUROPÉENNE par le fabricant. DISPOSITIONS APPLIQUÉES : Voir ci-dessous	G R	ΒΕΒΑΙΩΝΕΙ ΟΤΙ: Ο εξοπλισμός που αναφέρεται δίπλα είναι σύμφωνος προς τους τεχνικούς κανόνες ασφαλείας που ισχύουν κατά την ημερομηνία διάθεσής του στην αγορά της ΕΥΡΩΠΑΪΚΗΣ ΕΝΩΣΗΣ από τον κατασκευαστή. ΙΣΧΥΟΥΣΕΣ ΔΙΑΤΑΞΕΙΣ: Βλέπε παρακάτω
E S	CERTIFICA QUE: El equipo designado al lado es conforme con las reglas técnicas de seguridad que le son aplicables en la fecha de comercialización de la UNIÓN EUROPEA por el fabricante. DISPOSICIONES APLICADAS: Ver abajo	P L	ZASWIADCZA, ŻE: Sprzęt określony na odwrocie odpowiada technicznym regułom bezpieczeństwa stosującym się do niego w dniu wprowadzenia przez producenta na rynek UNII EUROPEJSKIEJ. STOSOWANE PRZEPISY: Patrz niżej
I T	CERTIFICA CHE: L'equipaggiamento designato a fianco è conforme alle regole tecniche di sicurezza ad esso applicabili alla data di messa, dal costruttore, sul mercato dell'UNIONE EUROPEA. DISPOSIZIONI APPLICABILI: Vedi soprastante	R U	УДОСТОВЕРЯЕТ СЛЕДУЮЩЕЕ: названное оборудование соответствует применимым к нему техническим правилам безопасности, действующим на момент его выпуска производителем на рынок ЕВРОПЕЙСКОГО СОЮЗА. ПРИМЕНИМЫЕ ПОЛОЖЕНИЯ: См. ниже
D E	ERKLÄRT, DASS: Die gegenüber bezeichnete Ausrüstung den technischen Sicherheitsbestimmungen entspricht, die zum Zeitpunkt des Inverkehrbringens in der EUROPÄISCHEN UNION durch den Hersteller für die Ausrüstung gelten. ANGEWENDETE VORSCHRIFTEN: Siehe unten	H U	TANÚSÍTJA, HOGY: a szemközt megnevezett felszerelés megfelel a gyártó által az EURÓPAI UNIÓBÉLÜLI forgalmazás megkezdésének időpontjában érvényben lévő vonatkozó műszaki biztonsági szabályoknak. ALKALMAZOTT RENDELKEZÉSEK : Lásd alább
N L	VERKLAART DAT: De in hieronder beschreven uitrusting conform de technische veiligheidsvoorschriften is die van toepassing zijn op de datum van de marktintroductie in de EUROPESE UNIE door de fabrikant. TOEGEPASTE SCHIKKINGEN: Zie hieronder	C Z	POTVRUJE, ŽE: Niže uvedené zařízení je v souladu s technickými pravidly bezpečnosti platnými ke dni jeho uvedení výrobcem na trh EVROPSKÉ UNIE. PLATNÁ USTANOVENÍ: VViz níže
P T	CERTIFICA QUE: O equipamento designado ao lado satisfaz as regras técnicas de segurança aplicáveis na data da introdução no mercado da UNIÃO EUROPEIA pelo fabricante. DISPOSIÇÕES APLICADAS: Ver abaixo	B G	УДОСОТВЕРЯВА, ЧЕ: описаното снаряжение съответства на приложимите за него технически правила за безопасност към датата на пускането му на пазара на ЕВРОПЕЙСКИЯ СЪЮЗ от производителя. ПРИЛОЖИМИ РАЗПОРЕДБИ: Виж по-долу
D K	ERKLÆRER AT: Udstyret betegnet på modstående side er i overensstemmelse med de gældende tekniske sikkerhedsforskrifter på den dato, hvor fabrikanten har markedsført det i den EUROPÆISKE UNION. GÆLDENDE BESTEMMELSER: Se nedenfor	R O	CERTIFICĂ FAPTUL CĂ: Echipamentul menționat alături este conform normelor tehnice de securitate aplicabile la data lansării pe piața UNIUNII EUROPENE de către producător. DISPOZIȚII APLICATE : A se vedea mai jos
F I	VAKUUTTAA, ETTÄ: laite, johon tässä asiakirjassa viitataan täyttää tekniset turvamääräykset sinä päivänä, jona valmistaja tuo tuotteen myyntiin Euroopan unionin markkinoille. SOVELLETTAVAT MÄÄRÄYKSET: Katso alta	S K	POTVRDZUJE, ŽE: Nižšie uvedené zariadenie je v súlade s technickými pravidlami bezpečnosti platnými ku dňu jeho uvedenia výrobcem na trh EURÓPSKEJ UNIE. PLATNÉ USTANOVENIA: Pozrite nižšie
N O	SERTIFISERER AT: Det udstyret som omtales på motsatt side er i overensstemmelse med de tekniske sikkerhetsregler som gjelder på det tidspunktet som fabrikanten setter udstyret i drift på markedet i DEN EUROPEISKE UNION. GJELDENDE NORMER: Se under	S I	POTRJUJE, DA: je opisana oprema skladna s tehničnimi pravili na področju varnosti, ki veljajo zanjo z dnem, ko jo proizvajalec pošlje na tržišče EVROPSKE UNIJE. VELJAVNA DOLOČILA: glej spodaj

G B	The notified body LCIE NB 0081 has performed a product technical design review (Article 3.2 essential requirement) as specified in annex III of 2014/53/UE directive and issued the EU-type examination certificate N°RED : See below	S E	Det anmälda organet LCIE NB 0081 har utfört en produktiv teknisk konstruktionsanalys (artikel 3.2 väsentliga krav) enligt specifikation i bilaga III till 2014/53/EU-direktivet och utfärdat ett EU-typintyg N°RED: Se ovan
F R	L'organisme notifié LCIE NB 0081 a effectué une révision de la conception technique du produit (condition requise de l'article 3.2) comme indiqué dans l'annexe III de la directive 2014/53/UE et a délivré le certificat d'examen UE de type N°RED : Voir ci-dessous	G R	Ο κοινοποιημένος οργανισμός LCIE NB 0081 έχει διενεργήσει έλεγχο στον τεχνικό σχεδιασμό του προϊόντος (ουσιώδης απαίτηση του άρθρου 3.2) όπως ορίζεται στο παράρτημα III της οδηγίας 2014/53/ΕΕ και εξέδωσε το πιστοποιητικό εξέτασης τύπου ΕΕ σύμφωνα με την οδηγία για τον ραδιοεξοπλισμό: Βλέπε παρακάτω
E S	El organismo certificado LCIE con n.o 0081 ha llevado a cabo una revisión técnica del diseño del producto (requisito obligatorio del Artículo 3.2) según lo dispuesto en el anexo III de la Directiva 2014/53/UE y ha emitido el certificado de examen UE de tipo N.o RED: Ver abajo	P L	Jednostka notyfikowana LCIE NB 0081 dokonała przeglądu projektu technicznego produktu (art. 3.2 zasadniczy wymóg) zgodnie z załącznikiem III do dyrektywy 2014/53/UE i wydała certyfikat badania typu UE Nr RED: Patrz niżej
I T	L'organismo notificato LCIE NB 0081 ha effettuato una verifica della realizzazione tecnica del prodotto (requisito essenziale dell'Articolo 3.2) come specificato nell'allegato III della direttiva 2014/53/UE e ha rilasciato il certificato di esame UE del tipo N°RED: Vedi soprastante	R U	Уполномоченный орган LCIE NB 0081 изучил проектную техническую документацию по продукту (основное требование статьи 3.2), как указано в приложении III Директивы 2014/53/ЕС, и выдал свидетельство о проверке европейского образца N ° RED: См. ниже
D E	Die benannte Stelle LCIE NB 0081 hat eine Prüfung des technischen Produktdesigns durchgeführt (wichtige Voraussetzung aus Artikel 3.2), wie im Anhang III der Richtlinie 2014/53/EU angegeben, und hat das EU-Prüfzertifikat nach N°RED ausgestellt: Siehe unten	H U	Az LCIE NB 0081 bejelentett szerv a 2014/53/EU irányelvnek megfelelően (3.2. cikk, szükséges követelmények), a 2014/53/EU irányelv III. mellékletében előírtak szerint elvégezte a termék műszaki kialakításának felülvizsgálatát, és kiadta a N°RED EU-s felülvizsgálati tanúsítványt: Lásd alább
N L	De aangemelde instantie LCIE NB 0081 heeft een beoordeling uitgevoerd van het technische ontwerp van het product (artikel 3.2, essentiële vereiste), zoals gespecificeerd in annex III van Europese Richtlijn 2014/53/EU, en heeft het beoordelingscertificaat van EU-type N°RED afgegeven: Zie hieronder	C Z	Oznámený subjekt LCIE NB 0081 provedl kontrolu technického návrhu výrobku (článek 3.2, základní požadavek), jak je uvedeno v příloze III směrnice 2014/53 /UE, a vydal certifikát EU o přezkoušení N°RED: VViz níže
P T	O organismo notificado LCIE NB 0081 realizou uma revisão da conceção técnica do produto (requisito essencial do artigo 3.2) conforme especificado no anexo III da diretiva 2014/53/UE e emitiu o certificado de exame UE de tipo N° RED: Ver abaixo	B G	Нотифицираният орган LCIE NB 0081 е извършил преглед на техническия проект на продукта (съществено изискване на член 3.2), както е посочено в приложение III към Директива 2014/53/ЕС, и е издал сертификат за ЕС изследване на типа N°RED: Виж по-долу
D K	Det bemyndigede organ LCIE NB 0081 har foretaget en teknisk produktanalyse (artikel 3.2: Væsentlige krav) som specificeret i bilag III i 2014/53/EU-direktivet og udstedt EU-typeundersøgelsescertifikatet RED: Se nedenfor	R O	Organismul notificat LCIE NB 0081 a analizat proiectul tehnic al produsului (art. 3.2 Cerințe esențiale), așa cum se specifică în Anexa III din Directiva 2014/53/UE și a emis certificatul de examinare UE de tip nr. RED: A se vedea mai jos
F I	Ilmoitettu tarkastuslaitos LCIE NB 0081 on suorittanut tuotteen teknisen suunnittelun katsastuksen (artiklan 3.2 mukainen olennainen vaatimus) niin kuin on määritelty EU-direktiivin 2014/53/UE liitteessä III ja myöntänyt EU-typin N°RED-tesistifikaatin: Katso alta	S K	Oboznámený orgán LCIE NB 0081 vykonal kontrolu technického dizajnu produktu (článok 3.2 o dôležitých požiadavkách) tak, ako to určuje príloha III smernice 2014/53/EÚ a vydal certifikát o preskúmaní typu EÚ N°RED : Pozrite nižšie
N O	Det meldte organet LCIE NB 0081 har gjennomført en produktiv teknisk designanalyse (artikkel 3.2 viktig krav) som spesifisert i vedlegg III til 2014/53/EU-direktivet og utstedt EU-typeprøvingssertifikat N°RED: Se under	S I	Príглаšeni organ LCIE NB 0081 je opravil pregled tehnične zasnove izdelka (bistvena zahteva člena 3.2), kot je določeno v prilogi III k direktivi 2014/53/UE, in izdal certifikat o EU-pregledu tipa N°RED : glej spodaj

DESIGNATION / DÉSIGNATION / DESIGNACIÓN / DESIGNAZIONE / BEZEICHNUNG/
BESCHRIJVING / DESIGNAÇÃO / BETEGNELSE / NIMITYS / BENEVNELSE /
BETECKNING / ΟΝΟΜΑΣΙΑ / NAZWA / НАИМЕНОВАНИЕ / MEGNEVEZÉS / NÁZEV /
НАИМЕНОВАНИЕ / DENUMIRE / NÁZOV / OPIS

Strain-gauge dynamometers / Dynamomètres à jauges de contraintes / Dinamómetros
con calibres de tensiones / Dinamometro a rivelatori di sollecitazione /
Zugkraftmessgeräte mit Dehnungsmessstreifen / Dynamometers met
extensometriemeters / Dinamómetros de calibres de esforços / Dynamometre med
belastningsmålere / Dynamometri, paine- mittari / Dynamometre med
deformasjonsmålere / Dynamometer med töjningsgivare / Δυναμόμετρα με μετρητές
πίεσεων / Dynamometry z czujnikami tensometrycznymi / Динамометр с датчиком
напряжений / Dinamométer alakváltozás-mérőkkel / Dynamometre s tenzometrami /
Динамометри за измерване на напрежението / Dinamometre cu traductoare
tensiometrice / Dynamometre s tenzometrami / Silomeri z merilci omejitev

APPLICATION / APPLICATION / APLICACIÓN / APPLICAZIONE / ANWENDUNG /
TOEPASSING / APLICAÇÃO / ANVENDELSE / KÄYTTÖ / BRUKSOMRÅDE / ANVÄNDNING /
ΕΦΑΡΜΟΓΗ / ZASTOSOWANIE / ПРИМЕНЕНИЕ / ALKALMAZÁSI TERÜLET / APLIKACE /
ПРИЛОЖЕНИЕ / DOMENIU DE APLICARE / APLIKÁCIA / UPORABA

Hoisting accessories / Accessoires de levage / Accesorios de elevación / Accessori
disollelamento / Lastaufnahmemittel / Hissaccessoires / Acessórios de elevação /
Tilbehør til ophejsning / Nostolisälaitteet / Løftetilbehør / Lyfttillbehör / Είδη
ανύψωσης / Akcesoria do podnoszenia / Аксессуары, используемые для подъема /
Emelést segítő tartozék / Zdvíhacie zariadenie / Принадлежности за повдигане /
Accesorii de ridicat / Zdvíhacie zariadenie / Dodatki za dviganje

MAKE / MARQUE / MARCA / MARCA / MARKE / MERK / MARCA / MÆRKE / MERKKI /
MERKE / MÄRKE / ΕΜΠΟΡΙΚΟ ΣΗΜΑ / MARKA / ΦΙΡΜΑ / MÁRKA / ZNAČKA / МАРКА
/ MARCA / ZNAČKA / ZNAMKA

dynafor™

TYPE / TYPE / TIPO / TIPO / ТИП / TYPE / TIPO / TYPE / ΤΥΠΟΙ / TYPE / ТИП /
ΤΥΠΟΣ / ТИП / ТИП / ТИП / ТИП / ТИП / ТИП / ТИП

ННД

Pro 1t 3.2t 6.5t 15t 25t 50t 100t 250t

Expert 0.5t 1t 2t 3.2t 5t 6.3t 10t

SERIAL NO / N° DE SÉRIE / N° DE SÉRIE / Nr. DI SERIE / SERIEN-NR /
SERIENUMMER / N° DE SÉRIE / SERIENUMMER / SARJANUMERO /
SERIENUMMER / SERIENR / ΣΕΙΡΙΑΚΟΣ ΑΡΙΘΜΟΣ / Nr SERII /
N° СЕРИИ / SZÉRIASZÁM / VÝROBNÍ ČÍSLO / СЕРИЕН N° / NR. DE
SERIE / VÝROBNÉ ČÍSLO / SERIJSKA ·T

NORTH AMERICA

CANADA

Tractel Ltd.

1615 Warden Avenue
Toronto, Ontario M1R 2T3,
Canada
Phone: +1 800 465 4738
Fax: +1 416 298 0168
Email: marketing.swingstage@
tractel.com

11020 Mirabeau Street
Montréal, QC H1J 2S3, Canada
Phone: +1 800 561 3229
Fax: +1 514 493 3342
Email: tractel.canada@tractel.
com

MÉXICO

Tractel México S.A. de C.V.

Galileo #20, O cina 504.
Colonia Polanco
México, D.F. CP. 11560
Phone: +52 55 6721 8719
Fax: +52 55 6721 8718
Email: tractel.mexico@tractel.
com

USA

Tractel Inc.

51 Morgan Drive
Norwood, MA 02062, USA
Phone: +1 800 421 0246
Fax: +1 781 826 3642
Email: tractel.usa-east@tractel.
com

168 Mason Way
Unit B2
City of Industry, CA 91746, USA
Phone: +1 800 675 6727
Fax: +1 626 937 6730
Email: tractel.usa-west@
tractel.com

BlueWater L.L.C

4064 Peavey Road
Chaska, MN 55318, USA
Phone: +1 866 579 3965
Email: info@bluewater-mfg.
com

Fabenco, Inc

2002 Karbach St.
Houston, Texas 77092, USA
Phone: +1 713 686 6620
Fax: +1 713 688 8031
Email: info@safetygate.com

EUROPE

GERMANY

Tractel Greifzug GmbH
Scheidtbachstrasse 19-21
51469 Bergisch Gladbach,
Germany
Phone: +49 22 02 10 04-0
Fax: +49 22 02 10 04 70
Email: info.greifzug@tractel.
com

LUXEMBOURG

Tractel Secalt S.A.
Rue de l'Industrie
B.P 1113 - 3895 Foetz,
Luxembourg
Phone: +352 43 42 42-1
Fax: +352 43 42 42-200
Email: secalt@tractel.com

SPAIN

Tractel Ibérica S.A.
Carretera del Medio, 265
08907 L'Hospitalet del
Llobregat Barcelona, Spain
Phone : +34 93 335 11 00
Fax : +34 93 336 39 16
Email: infotib@tractel.com

FRANCE

Tractel S.A.S.
RD 619 Saint-Hilaire-sous-
Romilly
BP 38 Romilly-sur-Seine
10102, France
Phone: +33 3 25 21 07 00
Email: info.tsas@tractel.com

Ile de France Maintenance Service S.A.S.

3 rue de champfleuri
Zac du Gué de Launay
77360 Vaires sur Marne,
France
Phone: +33 1 56 29 22 22
E-mail: ifms.tractel@tractel.com

Tractel Location Service

3 rue de champfleuri
Zac du Gué de Launay
77360 Vaires sur Marne,
France
Phone: +33 1 60 36 30 00
E-mail: info.tls@tractel.com

Tractel Solutions S.A.S.

77-79 rue Jules Guesde
69230 St Genis-Laval, France
Phone: +33 4 78 50 18 18
Fax: +33 4 72 66 25 41
Email: info.tractelsolutions@
tractel.com

GREAT BRITAIN

Tractel UK Limited
Old Lane Halfway
Sheffield S20 3GA,
United Kingdom
Phone: +44 114 248 22 66
Email: sales.uk@tractel.com

ITALY

Tractel Italiana SpA
Viale Europa 50
Cologno Monzese (Milano)
20093, Italy
Phone: +39 02 254 47 86
Fax: +39 02 254 71 39
Email: infoit@tractel.com

NETHERLANDS

Tractel Benelux BV
Paardeweide 38
Breda 4824 EH, Netherlands
Phone: +31 76 54 35 135
Fax: +31 76 54 35 136
Email: sales.benelux@tractel.
com

PORTUGAL

Lusotractel Lda
Bairro Alto Do Outeiro
Armazém, Trajouce, 2785-653
S. Domingos de Rana, Portugal
Phone: +351 214 459 800
Fax: +351 214 459 809
Email: comercial.lusotractel@
tractel.com

POLAND

Tractel Polska Sp. z o.o.
ul. Byslawska 82
Warszawa 04-993, Poland
Phone: +48 22 616 42 44
Fax: +48 22 616 42 47
Email: tractel.polska@tractel.
com

NORDICS

Tractel Nordics
(Scanclimber OY)
Turkkirata 26, FI - 33960
PIRKKALA, Finland
Phone: +358 10 680 7000
Fax: +358 10 680 7033
E-mail: tractel@scanclimber.
com

RUSSIA

Tractel Russia O.O.O.
Olympiyskiy Prospect 38, Office
411, Mytishchi, Moscow Region
141006, Russia
Phone: +7 495 989 5135
Email: info.russia@tractel.com

ASIA

CHINA

Shanghai Tractel Mechanical
Equip. Tech. Co. Ltd.
2nd floor, Block 1, 3500 Xiupu
road,
Kangqiao, Pudong,
Shanghai, People's Republic
of China
Phone: +86 21 6322 5570
Fax : +86 21 5353 0982

SINGAPORE

Tractel Singapore Pte Ltd
50 Woodlands Industrial
Park E7
Singapore 757824
Phone: +65 6757 3113
Fax: +65 6757 3003
Email: enquiry@
tractelsingapore.com

UAE

Tractel Secalt SA Dubai
Branch
Office 1404, Prime Tower
Business Bay
PB 25768 Dubai, United Arab
Emirates
Phone: +971 4 343 0703
Email: tractel.me@tractel.com

INDIA

Secalt India Pvt Ltd.
412/A, 4th Floor, C-Wing, Kailash
Business Park, Veer Savarkar
Road, Parksite, Vikhroli West,
Mumbai 400079, India
Phone: +91 22 25175470/71/72
Email: info@secalt-india.com

TURKEY

Knot Yapı ve İş Güvenliği San.
Tic. A.Ş.
Cevizli Mh. Tugay Yolu CD.
Nuvo Dragos Sitesi
A/120 Kat.11 Maltepe
34846 Istanbul, Turkey
Phone: +90 216 377 13 13
Fax: +90 216 377 54 44
Email: info@knot.com.tr

ANY OTHER COUNTRIES:

Tractel S.A.S.

RD 619 Saint-Hilaire-sous-
Romilly
BP 38 Romilly-sur-Seine
10102, France
Phone: +33 3 25 21 07 00
Email: info.tsas@tractel.com

