

SIZE: 75*210mm

Double-sided printing

ET200

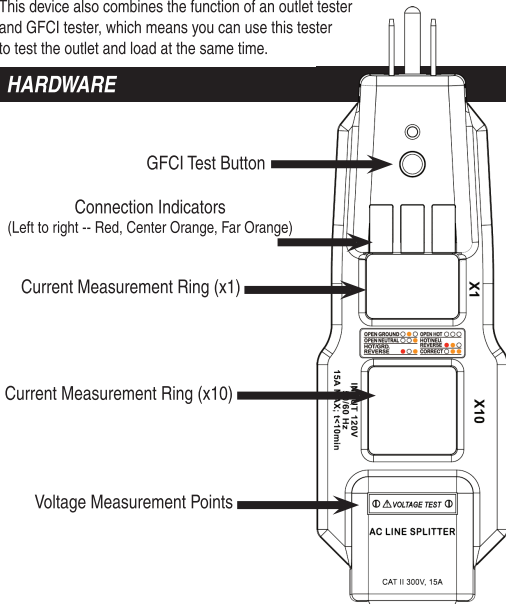
TRIPLETT AC LINE SPLITTER WITH GFCI & RECEPTACLE TESTING

The ET200 AC Line Splitter provides a means to cleanly "open" a standard 120V AC line in order to make clamp-type current measurements.

When connected between the 120V AC wall outlet and the device under test, a clamp meter can then be clamped around one of the two test openings in the Splitter. One opening provides a one-to-one current reading; the other provides a times-ten (x10) reading so that small current will display with better resolution on a clamp meter.

This device also combines the function of an outlet tester and GFCI tester, which means you can use this tester to test the outlet and load at the same time.

HARDWARE



TECHNICAL SPECIFICATIONS

Input Voltage	120V ±10%
Current	Maximum 15A
Operating Temp	41 °F to 104 °F
Storage Temp	-4 °F to 140 °F
Operating Humidity	Max 80% with temperature up to 86 °F; linearly decreasing to 50% at 104 °F
Storage Humidity	<80%
Altitude	<7000 feet
Safety Category	CAT II 300

WARNING!!!

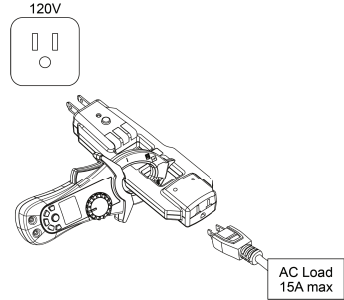
DO NOT USE LINE SPLITTER FOR MORE THAN 10 MINUTES WITH 15A MAXIMUM CURRENT LOAD!!

LIMITED WARRANTY

The manufacturer warrants to the original consumer that this product is in good working order for a period of one year from the date of manufacture or the date of purchase. During this period, the product will be repaired or replaced without charge for either parts or labor. **The warranty DOES NOT cover damage caused by connecting tester to high voltage sources.** Repair or replacement as provided under this warranty is the exclusive remedy of the purchaser.

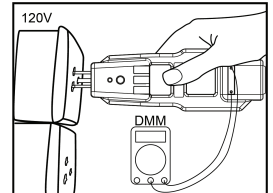
USING YOUR ET200: CURRENT MEASUREMENT

1. Plug the ET200 into the 120V socket.
2. Plug the electrical device into the ET200.
3. Clamp your clamp meter around one of the Current Measurement rings. If you are using the X1 ring, the reading from the clamp meter will display the value for the actual current. If you are using the X10 ring, you will need to divide the reading from the clamp meter by 10 in order to ascertain the value for the actual current.



USING YOUR ET200: VOLTAGE MEASUREMENT

1. Plug the ET200 into the 120V socket.
2. Connect your DMM probes to the Voltage Measurement Points on the ET200. The reading on your DMM will show the actual voltage.



USING YOUR ET200: RECEPTACLE TEST & GFCI TEST

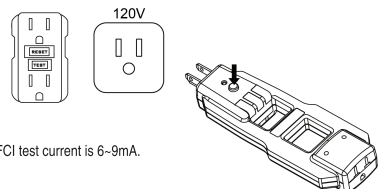
NOTE: Always test a known good circuit before use, and refer all indicated problems to a qualified electrician.

1. Plug the ET200 into the outlet. Lights will indicate the circuit's condition. The following will show if you are looking at the tester with the GFCI button facing you:

- Correct - Center Orange and Far Orange will light
- Open Hot - No Lights will light
- Open Ground - Only Center Orange will light
- Open Neutral - Only Far Orange will light
- Hot & Ground Reversed - Red and Far Orange will light
- Hot & Neutral Reversed - Red and Center Orange will light

To perform a GFCI Test, first verify the wiring is correct using the above Receptacle Test. If that is okay, remove the ET200 from the GFCI receptacle and press the TEST button that is built into the receptacle. The GFCI should trip. If it does not trip, refer the problem to a qualified electrician. If it does trip, press the RESET button on the receptacle and plug in the ET200, and proceed with the following steps:

1. Press and hold the TEST button on the ET200 for at least 6 seconds. The indicator lights on the Tester will shut off when the GFCI trips.
2. If the circuit does not trip, either the GFCI is operable but the wiring is incorrect, or the wiring is correct and the GFCI is inoperable.
3. When testing a GFCI installed in a 2-wire (i.e., non-grounded) system, the Tester may indicate a faulty GFCI. If this occurs, press the TEST and RESET buttons on the GFCI to determine proper operation.



NOTE: GFCI test current is 6-9mA.

UM-ET200