

MENDA

Quality Workstation Tools
and Accessories



PRODUCT OFFERING

- Liquid Pump Dispensers
- Specialty Tools
- Workbench Accessories
- ESD Vacuum Cleaners
- Fume Extractors
- Desoldering Braid
 - Stencil Rolls
 - Solder Sponges
- Cutters, Pliers and Tweezers
- Custom Products and More!

LIQUID DISPENSERS

MENDA PUMP GUIDE

One-Touch Pump

- Simple one-handed finger-tip dispensing
- Liquid drains into bottle to reduce evaporation
- 🔒 Lockable travel model: Take-Along Pump



Pure-Touch Pump

- Dispensed fluid stays in the top dish and does not drain into bottle
- Prevents liquid contamination
- 🔒 Lockable travel model: Pure-Take Pump



Lasting Touch Dispensers 🇺🇸



- Push-down pump top for easy dispensing
- Wide-neck opening
- Dark bottle options for light sensitive liquids
- Long-lasting imprinted labels

Item No.	Description
35601	Brown Round HDPE, 8 oz, Alcohol Print
35602	Brown Round HDPE, 8 oz
35603	Natural White Round HDPE, 8 oz
35608	Amber Round Glass, 8 oz, Alcohol Print

Amber Glass Dispensers 🇺🇸

- Dark glass bottle protects light-sensitive fluids
- Translucent glass construction
- 4 oz bottle capacity
- Stainless-steel push-down pump top for easy dispensing
- 🛡️ Impact-resistant safety coated bottle options available
- 🔒 Locking Pure-Take and Take-Along pump options available
- PFA stem options for tough chemical dispensing



Impact-Resistant Safety Coating (Plastisol)

Item No.	Description
35112	Pure-Touch, LDPE Stem
35315	One-Touch, LDPE Stem
35740	One-Touch, PFA Stem 🛡️
35741	Pure-Touch, PFA Stem 🛡️
35742	Pure-Take, PFA Stem 🛡️🔒
35770	One-Touch, PFA Stem 🛡️

Natural HDPE Liquid Dispensers 🇺🇸



- Push-down pump top for easy dispensing
- Wide-neck opening
- Natural HDPE bottles - no color added
- 🔒 Locking Pure-Take and Take-Along pump models available for travel

Item No.	Description	Item No.	Description
35304	One-Touch, 2 oz	35803	Pure-Take, 4 oz 🛡️
35305	One-Touch, 4 oz	35701	Take-Along, 2 oz 🛡️
35309	One-Touch, 6 oz	35702	Take-Along, 4 oz 🛡️
35312	One-Touch, 8 oz	35703	Take-Along, 6 oz 🛡️
35505	Pure-Touch, 4 oz	35704	Take-Along, 8 oz 🛡️
35508	Pure-Touch, 6 oz		
35510	Pure-Touch, 8 oz		

Twist-Lock Dispenser

- 🔒 Locks with a twist for leak-free travel
- Push-down pump top for easy dispensing
- Durable and lightweight



Item No.	Description
35215	White Pump, 8 oz 🛡️
35216	White, alcohol Print, 8 oz 🛡️
35235	Black Pump, 8 oz 🛡️

Clear Glass Dispensers 🇺🇸



- Clear glass allows storage of fluids not compatible with plastic
- PFA stem included with superior chemical resistivity
- Compact size; decants small amounts of chemicals
- 1 oz bottle capacity

Item No.	Description
35896	One-Touch, Clear Glass with PFA Stem, 1 oz
35897	Take-Along, Clear Glass with PFA Stem, 1 oz 🛡️
35898	Pure-Touch, Clear Glass with PFA Stem, 1 oz
35899	Pure-Take, Clear Glass with PFA Stem, 1 oz 🛡️

Frosted Glass Dispensers


- Translucent frosted glass bottle
- Allows storage of fluid not compatible with plastic
- Square base reduces risk of being knocked over and rolling off surfaces
- Attractive solution for display areas and show booths



Item No.	Description
35361	One-Touch, Clear Frosted Glass, 4 oz
35362	One-Touch, Clear Frosted Glass, 6 oz
35576	Pure-Touch, Clear Frosted Glass, 4 oz
35577	Pure-Touch, Clear Frosted Glass, 6 oz



Tin-Plated Steel Can Dispensers



-  Stainless-steel MENDA pump with conductive tin-plated steel can dispenses tough fluids
- Allows storage of fluid not compatible with plastic
- PFA stem option available
- Locking pump options will not leak when engaged

Item No.	Description
35255	Pure-Take, Tin Can, 4 oz 
35335	One-Touch, Tin Can, 4 oz 

Replacement Stems

- Replacement stems for your favorite pumps
- LDPE: Fits 8 oz HDPE bottles (cut to fit any HDPE MENDA bottle)
- PFA: Fits 4 oz amber glass bottles






Stainless Steel Pump Not Included

Item No.	Description
35005	LDPE Replacement Stem, 3.03 in, 25/Pk
35772	PFA Replacement Stem, 2.08 in, 10/Pk

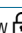


durAstatic® Dispensers



Custom Printing Available!

-  Static dissipative durAstatic® bottles protect valuable static sensitive printed circuitry
 - No migratory additives
 - 4 oz, 6 oz, and 8 oz bottle sizes available
 - 6 oz bottles are embossed with graduated markings
 - Available with Flux Remover or NFPA Hazard Diamond print
-  Embossed with ESD Protective Symbol
 - Highly visible bottle colors
-  Add an ESD Vinyl Hang Tag for additional labeling

Item No.	Description	Color
35259	One-Touch, Blank Diamond Print, 6 oz	Blue
35271	One-Touch, Acetone Print, 6 oz	Orange
35274	One-Touch, Acetone Print, 6 oz	Green
35277	One-Touch, Acetone Print, 6 oz	Yellow
35298	One-Touch, Acetone Print, 6 oz	Blue
35288	One-Touch, Acetone Print, 8 oz	Blue
35272	One-Touch, IPA Print, 6 oz	Orange
35275	One-Touch, IPA Print, 6 oz	Green
35278	One-Touch, IPA Print, 6 oz	Yellow
35299	One-Touch, IPA Print, 6 oz	Blue
35289	One-Touch, IPA Print, 8 oz	Blue



Item No.	Description	Color
35267	Pure-Touch, 6 oz	Yellow
35268	Pure-Take, 6 oz	Yellow 
35270	One-Touch, 6 oz	Orange
35273	One-Touch, 6 oz	Green
35276	One-Touch, 6 oz	Yellow
35282	One-Touch, 4 oz	Blue
35283	One-Touch, 6 oz	Blue
35284	One-Touch, 8 oz	Blue
35285	Pure-Touch, 6 oz	Blue
35286	Pure-Take, 6 oz	Blue 
35287	Take-Along, 6 oz	Blue 

Item No.	Description	Color
35594	One-Touch, Flux Remover Print, 6 oz	Blue
35595	One-Touch, Flux Remover Print, 6 oz	Yellow
35596	One-Touch, Flux Remover Print, 6 oz	Green
35597	One-Touch, Flux Remover Print, 6 oz	Orange

Hazard Communication Safety (HCS) Dispensers and Bottles



Custom Printing Available!

-  Static dissipative durAstatic® bottles protect valuable static sensitive printed circuitry
 - GHS Labels compliant with June 2015 OSHA Hazard Communication Safety Standards
 - Printed with Right-to-Know (RTK) labels
 - 6 oz HDPE bottle, no migratory additives
-  Add an ESD Vinyl Hang Tag for additional labeling

Item No.	Description	Color
35254	One-Touch, Acetone Print, 6 oz	Yellow
35257	One-Touch, Acetone Print, 6 oz	Orange
35258	One-Touch, Acetone Print, 6 oz	Green
35730	One-Touch, Acetone Print, 6 oz	Blue
35731	Bottle Only, Acetone Print, 6 oz	Blue
35732	Bottle Only, Acetone Print, 6 oz	Green
35733	Bottle Only, Acetone Print, 6 oz	Yellow
35734	Bottle Only, Acetone Print, 6 oz	Orange

Item No.	Description	Color
35736	Bottle Only, IPA Print, 6 oz	Blue
35737	Bottle Only, IPA Print, 6 oz	Green
35738	Bottle Only, IPA Print, 6 oz	Yellow
35739	Bottle Only, IPA Print, 6 oz	Orange
35761	Bottle Only, Toluene Print, 6 oz	Blue
35762	Bottle Only, Toluene Print, 6 oz	Yellow
35763	Bottle Only, Toluene Print, 6 oz	Orange
35764	Bottle Only, Toluene Print, 6 oz	Green




Item No.	Description	Color
35249	One-Touch, IPA Print, 6 oz	Yellow
35252	One-Touch, IPA Print, 6 oz	Orange
35253	One-Touch, IPA Print, 6 oz	Green
35735	One-Touch, IPA Print, 6 oz	Blue
35745	Pure-Touch, IPA Print, 6 oz	Blue
35760	One-Touch, Toluene Print, 6 oz	Blue

LIQUID DISPENSERS

ESD Flux Dispensers



Custom Printing Available!

-  Static dissipative LDPE durAstatic® bottles protect valuable static sensitive printed circuitry
-  ESD properties embedded into the bottle and conductive cap
-  Embossed with ESD symbol
 - 2 oz bottle capacity
 - 3 different needle tip sizes: 18, 20, 26 GA
 - No migratory additives




Item No.	Description	Color
35563	Flux Dispenser, 26 GA	Blue
35564	Flux Dispenser, 20 GA	Blue
35565	Flux Dispenser, 18 GA	Blue
35566	Flux Dispenser, 16 GA	Blue

Item No.	Description	Color
35571	Flux Dispenser, 26 GA	Yellow
35572	Flux Dispenser, 20 GA	Yellow
35573	Flux Dispenser, 18 GA	Yellow
35574	Flux Dispenser, 16 GA	Yellow
35598	Flux Dispenser, 3-Needle	Blue
35599	Flux Dispenser, 3-Needle	Yellow
35610	Flux Dispenser, 3-Needle, Flux Print	Blue
35611	Flux Dispenser, 3-Needle, Flux Print	Yellow
35567	Replacement Needles, 26 GA, 50/PK	
35568	Replacement Needles, 20 GA, 50/PK	
35569	Replacement Needles, 18 GA, 50/PK	
35570	Replacement Needles, 16 GA, 50/PK	

durAstatic® Cone Top Bottles



Custom Printing Available!




-  Provide controlled delivery of solvents cleaners, water, or other compatible liquids at the ESD workstation
-  Long lasting dissipative properties including Cone Top embedded into the bottle
 - Embossed with ESD protective symbol
-  Available in 8 or 16 oz bottles
 - No migratory additives

Item No.	Description	Color
35756	Cone Top Bottle, 8 oz	Yellow
35757	Cone Top Bottle, 8 oz	Blue
35758	Cone Top Bottle, 16 oz	Yellow
35759	Cone Top Bottle, 16 oz	Blue

durAstatic® Trigger Spray Bottles



Custom Printing Available!




-  Provide controlled delivery of solvents cleaners, water, and oils at the ESD workstation
-  Long lasting dissipative properties with insulative spray head
-  Embossed with ESD protective symbol
 - Available in 8 or 16 oz bottles
 - No migratory additives

Item No.	Description	Color
35796	Trigger Spray Bottle, 8 oz	Yellow
35797	Trigger Spray Bottle, 8 oz	Blue
35798	Trigger Spray Bottle, 16 oz	Yellow
35799	Trigger Spray Bottle, 16 oz	Blue

durAstatic® Wash Bottles



Custom Printing Available!

-  Provide controlled delivery of solvents at the ESD workstation
-  Long lasting dissipative properties embedded into the bottle
-  Embossed with ESD protective symbol
 - Available in 8 or 16 oz bottles - printed or non-printed options
 - No migratory additives

Item No.	Description	Color
35790	Wash Bottle, 8 oz	Yellow
35791	Wash Bottle, DI Water Print, 8 oz	Yellow
35792	Wash Bottle, IPA Print, 8 oz	Yellow
35793	Wash Bottle, 16 oz	Yellow
35794	Wash Bottle, DI Water Print, 16 oz	Yellow
35795	Wash Bottle, IPA Print, 16 oz	Yellow

Conductive ESD Brushes

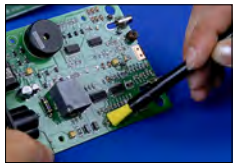
- ⚠️ ESD Brushes are ideal for removing dust, dirt and foreign object debris from printed circuit boards (PCB) and other static sensitive components
- ⚠️ Conductive carbon loaded polypropylene black handles and stainless-steel handles remove charges to ground when held by grounded personnel
- ⚠️ Bristles are a mix of conductive synthetic yarn and various natural fibers



Item No.	Description
35690	Round, Polypropylene Handle, Firm Bristles, 1/4 in
35691	Long, Polypropylene Handle, Firm Bristles, 1-3/16 in
35692	Long, Polypropylene Handle, Firm Bristles, 2-3/8 in
35693	Flat, Polypropylene Handle, Firm Bristles, 2 in
35694	Flat, Polypropylene Handle, Semi-Fine Bristles, 1/2 in
35695	Curved, Polypropylene Handle, Firm Bristles, 3 in x 1-1/2 in
35696	Curved Handle, Polypropylene Handle, Firm Bristles, 1/2 in
35699	Double-Sided, Steel Handle, Firm Bristles, 1/2 in
36086	Flat, Polypropylene Handle, Firm Bristles, 3/4 in
36087	Flat, Polypropylene Handle, Firm Bristles, 1 in
36089	Round, Steel Handle, Firm Bristles, 1/8 in
36092	Flat, Polypropylene Handle, Soft Bristles, 2 in
36098	Round, Polypropylene Handle, Soft Bristles, 1/4 in

Dissipative ESD Brushes

- ⚠️ ESD Brushes are ideal for removing dust, dirt and foreign object debris from printed circuit boards (PCB) and other static sensitive components
- ⚠️ Conductive carbon loaded polypropylene or stainless-steel handle
- ⚠️ Permanently static dissipative bristles made of highly visible yellow nylon 6.12 filament
 - Handle hot stamped with ESD protective symbol
 - Highly resilient, durable and abrasion resistant



Item No.	Description
35686	Flat, Polypropylene Handle, Hard Bristles, 1 in
35687	Flat, Polypropylene Handle, Hard Bristles, 2 in
35688	Long, Polypropylene Handle, Hard Bristles, 1-3/16 in
35689	Curved Handle, Polypropylene Handle, Hard Bristles, 3 in x 1-1/2 in
35697	Round, Polypropylene Handle, Medium Bristles, 1/4 in
35698	Double-Sided, Steel Handle, Hard Bristles, 1/2 in
36093	Flat, Polypropylene Handle, Hard Bristles, 1/2 in
36094	Flat, Polypropylene Handle, Hard Bristles, 3/4 in
36095	Flat, Polypropylene Handle, 1-1/2 in
36096	Round, Steel Handle, 1/8 in
36097	Long, Polypropylene Handle, 2-3/8 in x 6 in



ESD Protective Thermal Insulated Drinking Cup

Replacement for static generating cups or bottles on the workstation

- ⚠️ ESD Protective - Low charging
- ⚠️ Electrostatic charges removed to ground when picked up by a grounded operator or placed on a grounded surface
 - Thermal Insulated Drinking Cup - Perfect for hot or cold drinks
 - Hand wash only

Custom Printing Available!

Item No.	Description
35890	Drinking Cup, Stainless Steel, 16 oz

Reztore® ESD Lotion

- ⚠️ Special dissipative ESD formulation for the electronic manufacturing environment
 - Silicone free and non-contaminating
 - Moisturizing and contains vitamin A, vitamin D, and aloe vera
 - Available in a light peach scent and unscented

Item No.	Description
35659	Lotion, Clean, Unscented, 8 oz, 12/PK
35660	Lotion, Peach Scented, 8 oz, 12/PK
35661	Lotion, Peach Scented, 32 oz
35667	Lotion, Clean, Unscented, 32 oz



Wire Harness Threader

- Used to thread wires through tied harness assemblies
- 300 series stainless steel construction
- Bright orange PVC cover for anti-slip grip

Item No.	Description
35250	Wire Threader For Cable Harness



Sleeve Cutter

- Adjustable stop: Allows cutting of sleeving to specified lengths
- Ruler on side: Helps to gauge cut length

Item No.	Description
35175	Sleeve Cutter
35177	Replacement Blades, 100/PK



WORKBENCH TOOLS & ACCESSORIES

Screw-O-Saurus Pliers



- Multi-purpose screw remover for round, truss and pan head screws
- Vertical and horizontal serrations grasp screw head with no slip
- Removes rusted, stripped or stuck screws
- Wire cutter with spring loaded handle
- Cushioned grip



Item No.	Description
35996	Screw-O-Saurus Pliers

TRONEX Wire Strippers

- Automatically strips wires with adjustable cutting length
- Built-in side cutter for trimming
- Easy blade replacement



Item No.	Description
STRP30	Automatic Wire Stripper
STRP30B	NEW! STRP30 Replacement Blades
STRP5	Automatic Pistol Grip Wire Stripper
STRP5B	NEW! STRP5 Replacement Blades



Extract-O-Saurus Pin Extractor



- ⚠ Low charging
- Remove plastic stops, pins, and end plugs from integrated circuit shipping tubes
- Spring loaded to open
- Place the nipper over the end of the end plug or pin, snap shut and pull out the stopper

Item No.	Description
35180	Extract-O-Saurus Pin Extractor

Small Nut Starter

- 4-way small nut starter tool
- Holds nut sizes Regular No. 2 through Small No. 6
- Helps to hold and install small mounting hardware
- Material: LDPE



Item No.	Description
35120	Small Nut Starter, 4 in

Circuitracer™ Continuity Testers



- Allow operators to test for continuity, shorts, grounds or the presence of voltage
- Illuminated lamp confirms electrical circuit continuity
- Powered by 2 AAA batteries
- Use on the assembly line or in the field

Item No.	Description
35100	3-in-1, Continuity/Voltage Tester, 1-10 Ohms, 0-60 volts, 60-600 volts w/ Lamp*
35121	Replacement Lamp, 3 Volt TL3 Base
35130	Continuity only w/ Lamp, 0-10 Ohms
35135	Audible Continuity Tester, 0-50 Ohms

*Batteries Not Included

Modular Cable Cover

- Manage your cables and protect large cables from wear
- Prevent trip hazards
- Durable woven material
- Zip two covers together for wider cable sets



Item No.	Description
35657	Modular Cable Cover, 54 in

Non-Marring Probes & Spudgers

TOP SELLER! 35622 NYLON PROBE

- ⚠ Can be used in ESD protected areas
- Nylon and wood materials will not mar delicate surfaces
- Ideal for opening plastic cases such as MP3 players, cell phones, laptops and more
- Temperature resistant

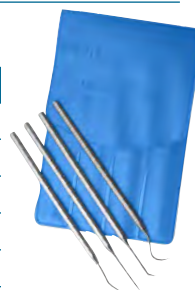


Item No.	Description
35616	Birchwood Probe, "Orangestick", 7in 100/Pk
35618	Nylon Probe, Point- Screwdriver, 7 in
35619	Nylon Probe, Fork-Blade, 7 in
35621	Nylon Probe, Spudger, 5-1/2 in
35622	Nylon Probe, Point-Blade, 6 in

Stainless Steel Probes

- ⚠ ESD Protective: Any charge can be grounded when placed on ESD protected work surface
- Non-magnetic, conductive 300 series stainless steel
- Ergonomic hex handle

Item No.	Description
35122	Steel Probe, Straight 5-1/2 in
35123	Steel Probe, Hook 5-1/2 in
35617	Steel Probe, Angle 5-1/2 in
35623	Steel Probe, Curved 5-1/2 in
35630	Steel Probe Kit, Four Tools



Low-Charging Cable Straps

- ⚠ Low-charging hook and loop material meets ANSI/ESD S20.20*
- D-Ring fastening is ideal for bundling trays and IC tubes
- Adjustable, releasable and reusable
- Operating Temperature: 300°F max
- Melting Temperature: 459°F




*Straps should be tested regularly to make sure they retain their ESD properties

Item No.	Description
35653	Low-Charging Cable Strap, 3/4 in x 18 in
35654	Low-Charging Cable Strap, 3/4 in x 20 in
35655	Low-Charging Cable Strap, 3/4 in x 24 in
35656	Low-Charging Cable Strap, 3/4 in x 30 in

Static Dissipative Vinyl Tool Roll-Up Pouch



Tools Not Included



-  Durable, blue dissipative vinyl construction
- For organizing and issuing tools to operators
- Store up to 18 tools
- Unrolled Dimensions: 20" x 12.5"

Item No.	Description
35981	Static Dissipative Tool Roll-Up Pouch

ESD durAstatic® Tool Box



Tools Not Included

-  Static dissipative durAstatic® material protects valuable static sensitive components
-  Embedded ESD properties - no surface coating
- Size: 14.5" x 7.5" x 5"
- Washable polypropylene material
- Includes inner lift-out tray


Item No.	Description
35870	Tool Box, Dissipative, Yellow durAstatic®

Workstation Organizers



Tools Not Included

Custom Configurations Available!

-  Made from an extruded conductive polypropylene Plastek™ material
- Standardize any ESD workstation
- Chemical and moisture resistant
- Economical alternative to injection molded products

Item No.	Description
35873	Assembly Workstation Organizer, Box Only
35874	Workstation Organizer, 6 Cells, Box Only
35878	Workstation Organizer, Mini, Box Only




35874



35878

C-Type & D-Sub Connector Covers

-  Conductive and ideal for clean applications
- Free of carbon black particulate
- Noncorrosive - tested to Federal Test Method 101C using Kovar test plates
- Composite material provides a snug, secure fit



Circular Connector Covers
Mil-Spec M5501/31A
(Formerly 4270 Series)



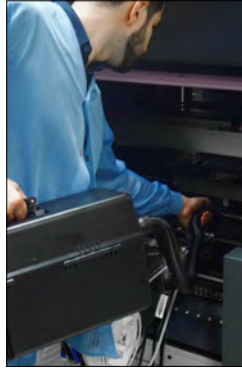
D-Sub Connector Covers
Mil-Spec M5501/32A
(Formerly 4272 Series)

Item No.	Description
35780	D-Sub, 32A-15P, 1000/CS
35781	D-Sub, 32A-15S, 1000/CS
35782	D-Sub, 32A-25P, 1000/CS
35783	D-Sub, 32A-25S, 1000/CS
35784	D-Sub, 32A-37P, 1000/CS
35785	D-Sub, 32A-37S, 1000/CS
35786	D-Sub, 32A-50P, 1000/CS
35787	D-Sub, 32A-50S, 1000/CS
35788	D-Sub, 32A-9P, 1000/CS
35789	D-Sub, 32A-9S, 1000/CS


Item No.	Description	Item No.	Description
34205	Circular, 31A-605, 1000/CS	34220	Circular, 31A-1463, 500/CS
34206	Circular, 31A-530, 1000/CS	34221	Circular, 31A-1390, 500/CS
34207	Circular, 31A-720, 1000/CS	34222	Circular, 31A-1540, 500/CS
34208	Circular, 31A-655, 1000/CS	34223	Circular, 31A-1715, 500/CS
34209	Circular, 31A-850, 1000/CS	34224	Circular, 31A-1645, 500/CS
34210	Circular, 31A-785, 1000/CS	34225	Circular, 31A-1965, 250/CS
34211	Circular, 31A-973, 1000/CS	34226	Circular, 31A-1890, 250/CS
34212	Circular, 31A-893, 1000/CS	34227	Circular, 31A-2215, 250/CS
34213	Circular, 31A-1093, 1000/CS	34228	Circular, 31A-2140, 250/CS
34214	Circular, 31A-1028, 1000/CS	34229	Circular, 31A-250, 1000/CS
34215	Circular, 31A-1125, 1000/CS	34230	Circular, 31A-313, 1000/CS
34216	Circular, 31A-1231, 500/CS	34231	Circular, 31A-375, 1000/CS
34217	Circular, 31A-1150, 500/CS	34232	Circular, 31A-480, 1000/CS
34218	Circular, 31A-1340, 500/CS	34233	Circular, 31A-413, 1000/CS
34219	Circular, 31A-1270, 500/CS	34234	Circular, 31A-500, 1000/CS

VACUUMS & FUME EXTRACTORS

ESD Service Vacuum



Portable & Lightweight for High-Efficiency Clean Up


-  ESD-safe self-contained unit designed for high-efficiency cleanup
- Ideal for removing toner and dust or cleaning data processing equipment
- Portable, quick setup
- Detachable power cord for easy storage
- Suction: 51"/H2O
- Weight: 11 lbs
- Dimensions: 17.8" x 7.8" x 9.3"

Item No.	Description
35867	ESD Service Vacuum, 120VAC, Complete System
35868	ESD Service Vacuum, 220VAC, Complete System*
35822	Filter, Type 2, For Toner And Dust
35823	Filter, Type 1, Fine Particles
35824	Carrying Strap
35825	Hose Assembly
35826	Crevice Nozzle Attachment
35827	Crevice Brush Attachment
35828	Bent Wand Assembly
35829	Needle Nose Nozzle Attachment
35830	Dusting Brush Attachment
35869	Power Cord, 8 ft, US Plug

*Power Cord Not Included

ESD Blow Vac





-  Dissipative housing and attachments
- Dual function blower and vacuum
- Durable compact design
- Advanced 5-Stage filtration system with particle retention down to 0.3 micron
- UL Listed
- Dimensions: 12.5" x 5" x 7.5"
- Weight: 4.8 lbs
- Suction: 80 W.G.

Item No.	Description
35840	Blow Vac, Complete System, 120VAC
35841	Blow Vac, Complete System With Adjustable Air Flow, 120VAC
35843	Blow Vac, Complete System With Adjustable Air Flow, 230VAC*
35834	Stretch Hose, 4 ft
35835	Mini Attachment Set (7 pieces)
35836	Two-Part Blower Assembly
35837	Micromotor Filter, HEPA
35838	Micromotor Filter, Standard
35839	Filter Bag, 10/PK

*Power Cord Not Included


HEPA Vac

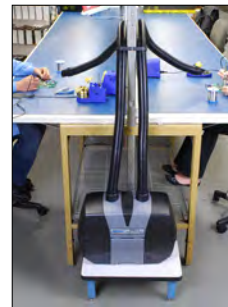


-  ESD protected vacuum for cleaning debris from surface mount, pick and place, board routers, handlers and other equipment in your ESD protective areas
-  Complete system includes ESD protected utensils: hose, gooseneck, crevice tool, crevice attachment brush, round brush
- 99.97% efficient at 0.3 micron HEPA filtration
- Great for field service applications
- Lead-free RoHS compliant
- Suction: 56"/H2O
- Weight: 4 Pounds
- Size: 12" x 5.25" x 7"
- Energy Consumption: 600 Watt

Item No.	Description
35852	High Performance HEPA Vac, Complete System 120VAC
35857	High Performance HEPA Vac, Complete System With Case & Filter, 120 VAC
35855	Replacement Filter

Series II Fume Extractor, 120VAC

-  ESD-safe housing
- Two-arm filtration system that combines powerful fan performance with efficient filtration
- Portable and compact design
- For extraction of fumes, particles and vapors
- Audible alarm informs operators when filters need replacing
- Easy access on/off remote switch
- Connects to 50mm (2") or 63mm (2.5") hoses or exhaust arms
- Construction: Plastic
- Main filter efficiency: 95% at 0.3 micron
- Dimensions: 20" x 15-5/16" x 10"
- Weight: 20 lbs (9kg)
- CFM: 90
- Noise level: < 55 dbA
- Maximum operators: 2



Placed Under or Next to the Bench-Top

Item No.	Description
35470	Series II Fume Extractor, Complete System, Plastic, 120V
35471	Pre-Filters, 5/PK
35472	Main Filter, "HEPA"
35473	Deep Bed, Gas Filter
35474	Main Filter, "Non-HEPA"
35475	2-1/2 ft Arm With 6 ft Hose & Bracket
35476	Arm With Bracket & Clamps
35477	Flexible Exhaust Arm, 2-1/2 ft
35478	Flexible Exhaust Arm, 5 ft
35479	Table Bracket & Clamps
35480	Connect Hose, 6 ft Long, 2 in Dia.
35481	Connect Hose, 12 ft Long, 2-1/2 in Dia.
35482	Remote Power Switch

ESD Bottle Hang Tags 🇺🇸



- ⚠️ Made of custom dissipative vinyl
- For additional ESD labeling
- 2-1/4" x 2-1/4" (Insert Size) inside pouch prevents the label from getting wet
- Includes inner anti-print, non-ESD vinyl liner
- Can fit a folded 8.5" x 11" paper

Item No.	Description
35393	ESD Bottle Hang Tag, Pre-Punched Hole, 10/Pk
35394	ESD Bottle Hang Tag, w/o Hole, 10/Pk

ESD Vinyl Tool Pouch with Zipper 🇺🇸



- ⚠️ 9" x 6" Dissipative tool pouch
- Recloseable zipper
- Ideal for use by engineers, production workers, field service engineers, etc.

Item No.	Description
34458	ESD Pouch with Zipper, 9 in x 6 in

ESD Shop Travelers 🇺🇸



- ⚠️ Dissipative vinyl
- 1 x 10⁴ to < 1 x 10¹¹ ohms, per ANSI/ESD STM11.11
- Ideal for use by electronic manufacturers who work with ESD sensitive components
- Designed to hold standard "A" size 8-1/2" x 11" documents
- Includes reinforced metal hang hole
- Outer Dimensions: 10" x 12"

Item No.	Description
34451	Solid Light Blue Backing, 10/Pk
34453	Light Blue Backing with Zipper, 10/Pk
34454	Red Header with Zipper, 10/Pk
34455	Blue Header with Zipper, 10/Pk
34456	Green Header with Zipper, 10/Pk
34457	Yellow Header with Zipper, 10/Pk

ESD Badge Holders 🇺🇸

- ⚠️ Made with a custom dissipative material exclusively for Desco Industries
- Highly visible with yellow header and ESD Protective Symbol
- Horizontal and vertical orientations available



Custom Sizes Available

Item No.	Description
35009	Clip-On, Vertical, 2-1/8 in x 3-3/8 in (IS)
35010	Clip-On, Vertical, 2-3/8 in x 3 in (IS)
35011	Clip-On, Horizontal, 3-5/8 in x 1-7/8 in (IS)
35012	Clip-On, Horizontal, 3-7/8 in x 2-1/8 in (IS)
35013	Clip-On, Horizontal, 4 in x 2-5/8 in (IS)
35014	Proximity, Vertical, 2-1/8 in x 3-3/8 in (IS)
35015	Proximity, Horizontal, 3-5/8 in x 2-3/8 in (IS)
35016	Zipper, Vertical, 2-3/8 in x 3-3/8 in (IS)
35017	Zipper, Horizontal, 3-3/8 in x 2-3/8 in (IS)

ESD Arm Badge Holder 🇺🇸

- ⚠️ Made with a custom dissipative material exclusively for Desco Industries
- Ideal for active personnel
- Adjustable black elastic band
- Reduce risk of entanglement



Item No.	Description
35193	Arm Badge, 2-3/8 in x 3-3/8 in (IS), Clear

ESD Dissipative Strap Clips 🇺🇸

- ⚠️ Dissipative vinyl strap clips
- Rust-resistant nickel-plated steel clip
- ESD protective symbol print
- Strap clip with Safety Pin option



Item No.	Description
34431	ESD Dissipative Strap Clip, 2-7/8 in
34432	ESD Dissipative Strap Clip, 3-1/2 in
34433	ESD Dissipative Strap Clip with Safety Pin, 2-7/8 in

ESD Breakaway Vinyl Lanyard 🇺🇸

- ⚠️ Dissipative breakaway lanyard for short term use
- Lanyard: 1/8" wide
- Soft, frosty clear vinyl presents a low profile that doesn't compete with clothing
- Breakaway snap closure



Item No.	Description
35067	Breakaway Lanyard Strap, ESD Safe, 27 in
35108	NEW! Breakaway Lanyard Strap, ESD Safe, 37 in



DESOLDERING BRAID


EasyBraid Desoldering Braid

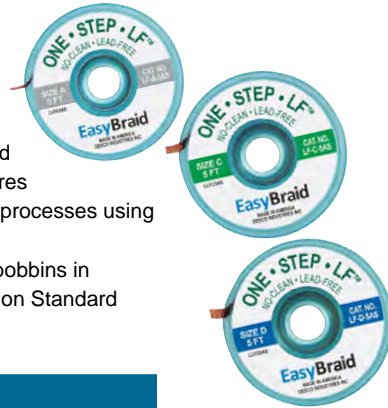
- Used in the rework and repair of printed circuit boards, computers, cell phones, or other electronics
- Easily remove solder from components or pads on a circuit board
- Concentrated fine copper braiding uses less length of wick for each desoldering application
- Made of clean, oxide-free copper wire and tight weave enables quick “on and off” desoldering

Part Numbering (Example)

	Q	A	10AS
	Type	Width	Length
	Q - Quick Braid	A - 0.025 in	5 ft only on AS
	OS - One Step	B - 0.050 in	10 ft only on AS
	S - Sea Braid Unfluxed	C - 0.075 in	25 ft
	LF - Lead Free	D - 0.100 in	50 ft
		E - 0.125 in	100 ft

Lead Free


- Formulated with a flux designed for higher activation temperatures
- To be used in conjunction with processes using RMA type no-clean fluxes
-  Available on static dissipative bobbins in compliance with ESD Association Standard

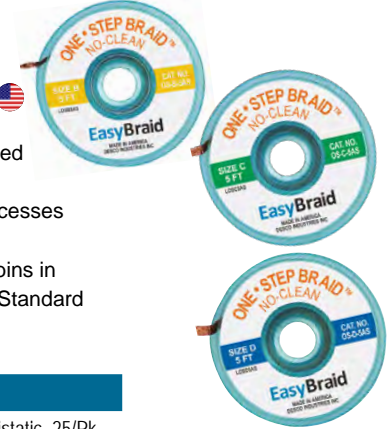


Item No.	Description
LF-A-5AS	Lead Free, 0.025 in x 5 ft, Antistatic, 25/Pk
LF-B-5AS	Lead Free, 0.050 in x 5 ft, Antistatic, 25/Pk
LF-C-5AS	Lead Free, 0.075 in x 5 ft, Antistatic, 25/Pk
LF-D-5AS	Lead Free, 0.100 in x 5 ft, Antistatic, 25/Pk
LF-E-5AS	Lead Free, 0.125 in x 5 ft, Antistatic, 25/Pk

Available in 10 ft, 25 ft
Complete product listing available at MENDATools.com

One Step No Clean


- Flux residue on board does not need to be cleaned
- To be used in conjunction with processes using RMA type no-clean fluxes
-  Available on static dissipative bobbins in compliance with ESD Association Standard

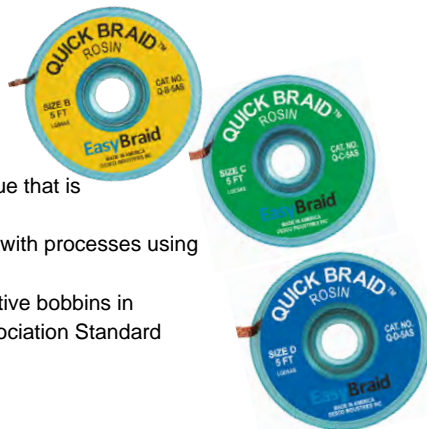


Item No.	Description
OS-A-5AS	One Step, 0.025 in x 5 ft, Antistatic, 25/Pk
OS-B-5AS	One Step, 0.050 in x 5 ft, Antistatic, 25/Pk
OS-C-5AS	One Step, 0.075 in x 5 ft, Antistatic, 25/Pk
OS-D-5AS	One Step, 0.100 in x 5 ft, Antistatic, 25/Pk
OS-E-5AS	One Step, 0.125 in x 5 ft, Antistatic, 25/Pk

Available in 10 ft, 25 ft, 100 ft
Complete product listing available at MENDATools.com

Quick Braid


- Designed to leave a residue that is environmentally safe
- To be used in conjunction with processes using R/RA type rosin fluxes
-  Available on static dissipative bobbins in compliance with ESD Association Standard

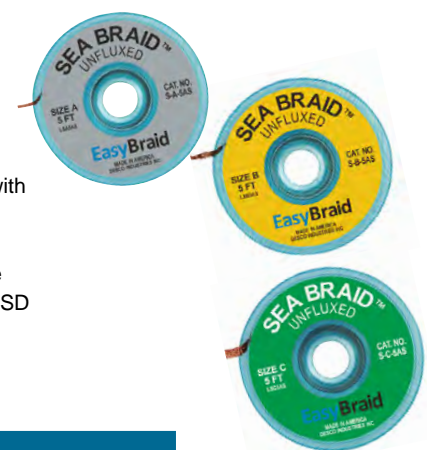


Item No.	Description
Q-A-5AS	Quick Braid, 0.025 in x 5 ft, Antistatic, 25/Pk
Q-B-5AS	Quick Braid, 0.050 in x 5 ft, Antistatic, 25/Pk
Q-C-5AS	Quick Braid, 0.075 in x 5 ft, Antistatic, 25/Pk
Q-D-5AS	Quick Braid, 0.100 in x 5 ft, Antistatic, 25/Pk
Q-E-5AS	Quick Braid, 0.125 in x 5 ft, Antistatic, 25/Pk

Available in 10 ft, 25 ft, 100 ft
Complete product listing available at MENDATools.com

Sea Braid

- Can be used in conjunction with any flux to fit your process
- Coated to prevent oxidation
-  Available on static dissipative bobbins in compliance with ESD Association Standard



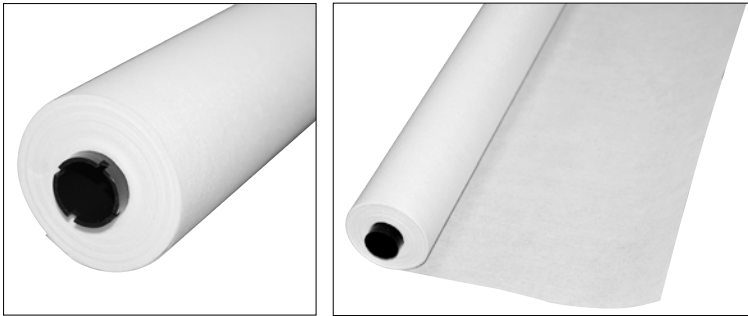
Item No.	Description
S-A-5AS	Sea Braid, 0.025 in x 5 ft, Antistatic, 25/Pk
S-B-5AS	Sea Braid, 0.050 in x 5 ft, Antistatic, 25/Pk
S-C-5AS	Sea Braid, 0.075 in x 5 ft, Antistatic, 25/Pk
S-D-5AS	Sea Braid, 0.100 in x 5 ft, Antistatic, 25/Pk
S-E-5AS	Sea Braid, 0.125 in x 5 ft, Antistatic, 25/Pk

Available in 10 ft, 25 ft, 100 ft
Complete product listing available at MENDATools.com

STENCIL ROLLS & SOLDER TIP CLEANERS

EasyBraid Stencil Rolls

- Used in SMT (surface mount technology) screen printing lines to keep stencil apertures clear of paste residue during the automatic screen printing process
- Prevents smearing, bridging, solder balls, and other problems associated with the stencil printing of solder paste
- Manufactured from a blend of polyester and cellulose fibers
- More paper per roll resulting in less down time, less changeover time, and less inventory required
- Exceptionally low lint levels
- Solvent resistant material results in increased absorption per square inch



Custom Stencil Rolls Available!

Item No.	Machine Type	Core Length	Paper Width	Core ID	Core Type	Paper Length
EB41D2112	DEK	20.82 in	12 in	0.75 in	Plastic	39 ft
EB41D2116	DEK	20.82 in	15.75 in	0.75 in	Plastic	39 ft
EB41D2120	DEK	20.82 in	20.25 in	0.75 in	Plastic	39 ft
EB41D2424	DEK	24.37 in	24.12 in	0.75 in	Plastic	39 ft
EB41E1616	EKRA	15.75 in	15.75 in	0.50 in	Paper	33 ft
EB41E2020	EKRA	19.75 in	19.75 in	0.50 in	Paper	33 ft
EB41E2424	EKRA	23.5 in	23.50 in	0.50 in	Paper	33 ft
EB41M1812	MPM	18 in	12 in	0.765 in	Paper	55 ft
EB41M1814	MPM	18 in	14 in	0.765 in	Paper	55 ft
EB41M1818-1	MPM	18 in	17.50 in	1.0 in	Paper	47 ft
EB41M1855	MPM	18 in	17.50 in	0.765 in	Paper	55 ft
EB41M2222	MPM	22 in	21.62 in	0.765 in	Paper	55 ft
EB41M2424	MPM	24 in	23.62 in	0.765 in	Paper	55 ft
EB41Y1717	YAMAHA	17 in	17 in	1 in	Paper	45 ft

EasyBraid Stencil Wipes

- Used in the rework and repair cleaning process of SMT screen printing, printed circuit boards, computers, cell phones, or other electronics
- Manufactured from a blend of polyester and cellulose fibers
- Excellent in both wet and dry applications
- Exceptionally low lint levels
- Available in three sizes 4"x4", 9"x9", 12"x12"



Item No.	Description
EB41W44	Stencil Wipes, 4 in x 4 in, 1200/Pk
EB41W99	Stencil Wipes, 9 in x 9 in, 300/Pk
EB41W1212	Stencil Wipes, 12 in x 12 in, 150/Pk

EasyBraid Replacement Brass Pad

- Removes oxides and excess solder from soldering iron tips to help maintain and prolong tip life
- Soft, coiled brass reduces potential contaminants to the tip
- Compatible with many different soldering workstands
- Lead Free and RoHS Compliant

Item No.	Description
EB-BP10	Replacement Brass Pad



EasyBraid Solder Sponges

- Soldering iron tips cleaned quickly and efficiently
- Solder sponge or soaker removes oxides and excess solder from soldering iron tips
- Manufactured with natural materials, compressed cellulose
- Available in standard packs of 10



Item No.	Dimensions	Style	Pack Quantity
S1525-O-T	1.5 in x 2.5 in	Hole	10 pieces
S2026-S-T	2.0 in x 2.6 in	Slits	10 pieces
S2235-O-T	2.2 in x 3.5 in	Hole	10 pieces
S2432-O-T	2.4 in x 3.2 in	Hole	10 pieces
S2626-M-T	2.6 in x 2.6 in	Multi-Hole	10 pieces
S2626-O-T	2.6 in x 2.6 in	Hole	10 pieces
S2626-P-T	2.6 in x 2.6 in	Plain	10 pieces
S2626-S-T	2.6 in x 2.6 in	Slits	10 piece
S2745-S-T	2.7 in x 4.5 in	Slits	10 piece
S3017-O-T	3.0 in x 1.7 in	Hole	10 piece
S3020-P-T	3.0 in x 2.0 in	Plain	10 piece
S3030R-O-T	3.0 in x 3.0 in	Hole	10 piece
S3219-O-T	3.2 in x 1.9 in	Hole	10 piece
S4017-O-T	4.0 in x 1.7 in	Hole	10 piece
S8517-P-T	8.5 in x 17 in	Sheet	10 piece

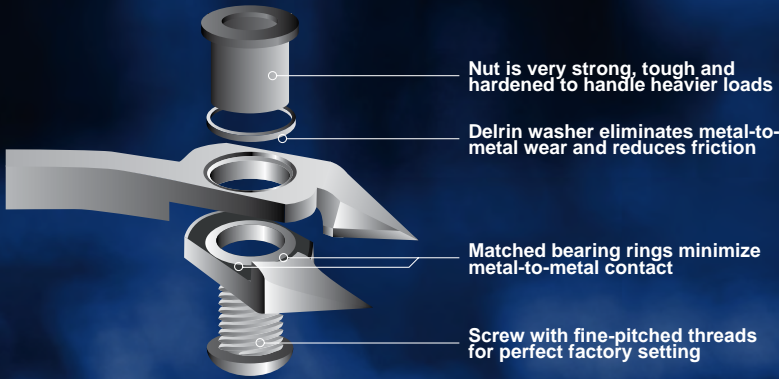
CUTTER FEATURES & OPTIONS

TRONEX CUTTERS

Precision Cutters

Tronex cutters feature a unique, innovative joint designed for smooth function, strength, durability and comfort. No one else makes a joint like Tronex.

- Cuts hundreds of thousands of times before dulling
- Cuts in confined areas
- Cuts wire and leads that are thinner than a human hair
- Cuts extremely flush with no burrs
- Made from high quality US carbon steel
- Stainless steel leaf springs
- ESD Safe Cushion Grips
- Induction hardened cutting edges

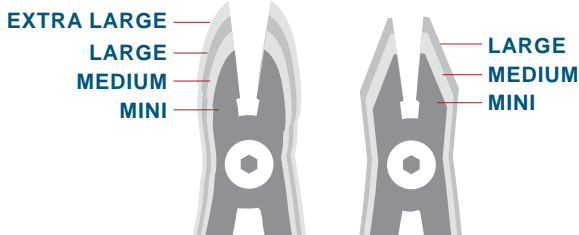


SELECTING A CUTTER

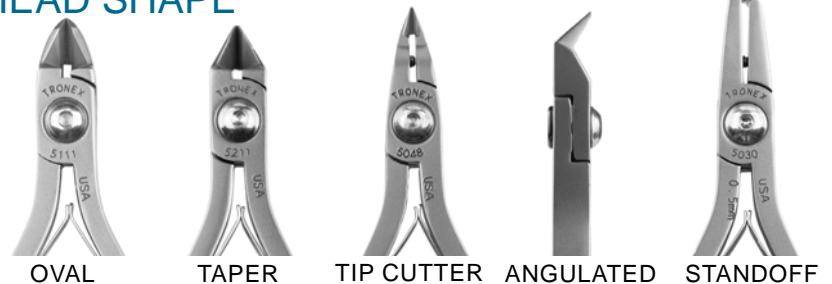
Selecting the right cutter for your specific application is very important. Several things should be considered including:

1. Access to what is being cut (head shape)
2. The material and gauge wire being cut (head size)
3. What kind of a cut is needed (edge finish)
4. What feels most comfortable (grips style and size)

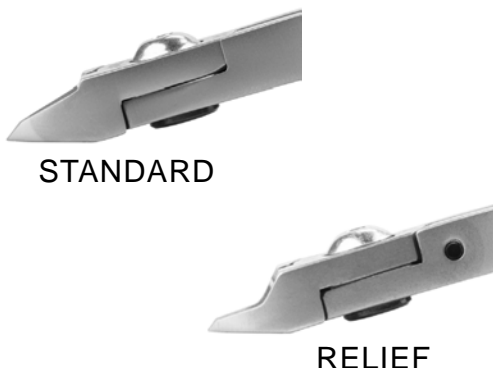
HEAD SIZE



HEAD SHAPE



PROFILE



Cutters with a relieved head have a low-profile allowing additional access into restricted areas. See photos for the difference between a standard cutter and a cutter with a relieved head.

EDGE FINISH



Semi-Flush: Feature a small edge bevel on the cutter and are typically used in an industrial setting to cut thicker wire and leads. Will leave a "pinch" in the middle of the end of material being cut. These cutting edges will be the most durable, the most cost effective, and most resistant to dulling, extending the life of the tool.



Flush: Feature a very thin edge bevel on the cutter that leaves only an exceptionally small "pinch" in the middle of the end of the material being cut. Used in a wide range of electronics manufacturing applications where users are looking for a balance between longevity, precision, and cost.

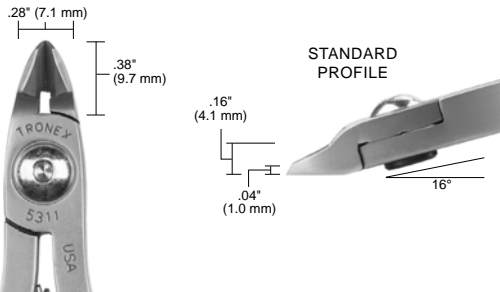


Razor Flush®: Feature no bevel on the cutters resulting in exceptionally sharp edges which produce cuts leaving virtually no raised surface or "pinch". The cutter operates like two razor blades coming together. Typically used when the highest level of precision is required working with small and/or very fine components. Although more frequent sharpening is required with Razor Flush® cutters, each cutter has a fine set screw stop built into the jaw of the cutter to protect the edges.

Oval Head Cutters

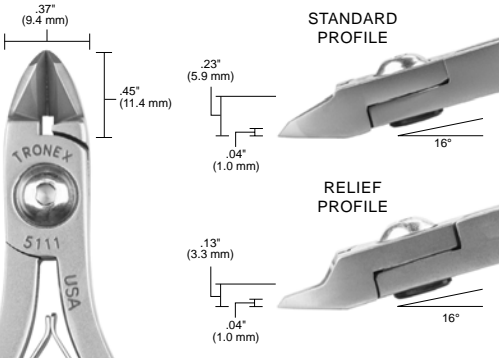
Oval head cutters are excellent general purpose cutters. With additional material in the head, oval head cutters are strong and durable. They are the best option when access is not an issue. Tronex offers a wide variety of oval head sizes and features.

MINI OVAL CUTTERS used for fine cutting work, such as with SMT, or work under a microscope.



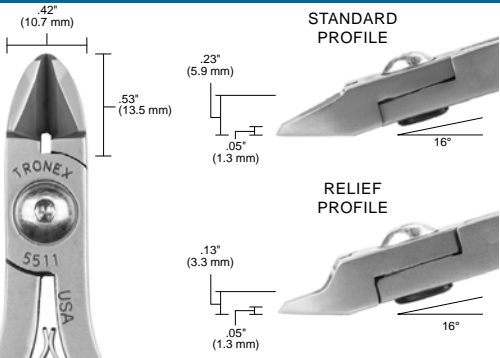
	SEMI-FLUSH	FLUSH	RAZOR FLUSH®
ITEM NO.	5311 7311*	5312 7312*	5313 7313*
PROFILE	STANDARD	STANDARD	STANDARD
CUTTING CAPACITY (SOFT COPPER WIRE)	.008 in - .049 in 0.2 mm - 1.25 mm 32 - 16 AWG	.004 in - .049 in 0.1 mm - 1.25 mm 38 - 16 AWG	.004 in - .031 in 0.1 mm - .8 mm 38 - 20 AWG
HANDLE LENGTH	STANDARD *LONG ERGONOMIC	STANDARD *LONG ERGONOMIC	STANDARD *LONG ERGONOMIC
OAL	4.5 in / 115 mm *5.5 in / 140 mm	4.5 in / 115 mm *5.5 in / 140 mm	4.5 in / 115 mm *5.5 in / 140 mm

MEDIUM OVAL CUTTERS are extremely popular. Used for general purpose cutting, strong and versatile.



	SEMI-FLUSH	FLUSH		RAZOR FLUSH®	
ITEM NO.	5111 7111*	5112 7112*	5122 7122*	5113 7113*	5123 7123*
PROFILE	STANDARD	STANDARD	RELIEF	STANDARD	RELIEF
CUTTING CAPACITY (SOFT COPPER WIRE)	.008 in - .049 in 0.2 mm - 1.25 mm 32 - 16 AWG	.006 in - .049 in 0.15 mm - 1.25 mm 35 - 16 AWG	.004 in - .047 in 0.1 mm - 1.2 mm 38 - 16 AWG	.004 in - .039 in 0.10 mm - 1 mm 38 - 18 AWG	.004 in - .035 in 0.1 mm - .9 mm 38 - 19 AWG
HANDLE LENGTH	STANDARD *LONG ERGONOMIC	STANDARD *LONG ERGONOMIC		STANDARD *LONG ERGONOMIC	
OAL	4.6 in / 117 mm *5.6 in / 142 mm	4.6 in / 117 mm *5.6 in / 142 mm		4.6 in / 117 mm *5.6 in / 142 mm	

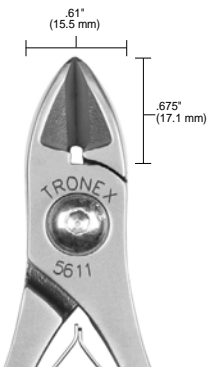
LARGE OVAL CUTTERS have more head material for greater cutting capacity. General purpose.



	SEMI-FLUSH	FLUSH		RAZOR FLUSH®	
ITEM NO.	5511 7511*	5512 7512*	5522 7522*	5513 7513*	5523 7523*
PROFILE	STANDARD	STANDARD	RELIEF	STANDARD	RELIEF
CUTTING CAPACITY (SOFT COPPER WIRE)	.008 in - .059 in 0.2 mm - 1.5 mm 32 - 15 AWG	.006 in - .059 in 0.15 mm - 1.5 mm 35 - 15 AWG	.006 in - .055 in 0.15 mm - 1.4 mm 35 - 15 AWG	.004 in - .051 in 0.1 mm - 1.3 mm 38 - 16 AWG	.004 in - .047 in 0.1 mm - 1.2 mm 38 - 16 AWG
HANDLE LENGTH	STANDARD *LONG ERGONOMIC	STANDARD *LONG ERGONOMIC		STANDARD *LONG ERGONOMIC	
OAL	4.7 in / 119 mm *5.7 in / 144 mm	4.7 in / 119 mm *5.7 in / 144 mm		4.7 in / 119 mm *5.7 in / 144 mm	

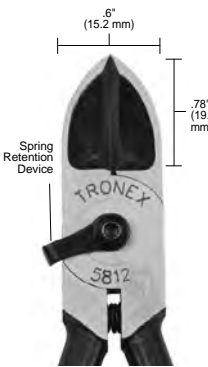
EXTRA LARGE OVAL CUTTERS

HEAVY DUTY CUTTERS



	SEMI-FLUSH	FLUSH	RAZOR FLUSH®
ITEM NO.	5611	5612	5613
PROFILE	STANDARD	STANDARD	STANDARD
CUTTING CAPACITY (SOFT COPPER WIRE)	.020 in - .080 in 0.4 mm - 2 mm 26 - 12 AWG	.010 in - .080 in 0.3 mm - 2 mm 29 - 12 AWG	.010 in - .060 in 0.3 mm - 1.6 mm 29 - 14 AWG
HANDLE LENGTH	STANDARD	STANDARD	STANDARD
OAL	5.5 in / 140 mm	5.5 in / 140 mm	5.5 in / 140 mm

This cutter has a longer and wider head which permits an expanded cutting capacity. Able to cut confidently through heavy duty wire, our extra large oval is popular for a variety of applications and industries. Available in mid sized handles.



	SEMI-FLUSH	FLUSH
ITEM NO.	5811 7811*	5812 7812*
PROFILE	STANDARD	STANDARD
CUTTING CAPACITY (SOFT COPPER WIRE)	.020 in - .080 in 0.4 mm - 2 mm 26 - 12 AWG	.010 in - .080 in 0.3 mm - 2 mm 29 - 12 AWG
HANDLE LENGTH	STANDARD *LONG ERGONOMIC	STANDARD *LONG ERGONOMIC
OAL	5.2 in / 132 mm *6.2 in / 156 mm	5.2 in / 132 mm *6.2 in / 156 mm

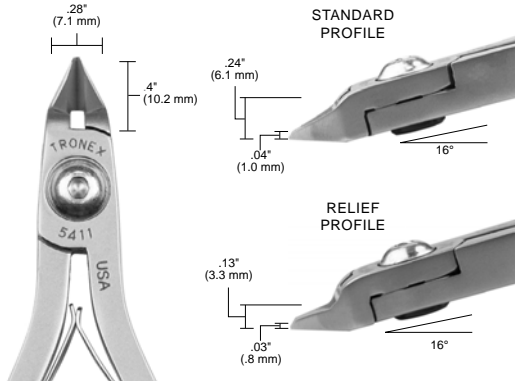
Wire harness making are popular applications for our heavy duty cutters. This cutter, forged of carbon steel, has strength in the head and joint areas needed to cut heavier gauge wire or cable. A jaw restraining device is attached to ensure spring retention.

TAPER CUTTERS

Taper Cutters

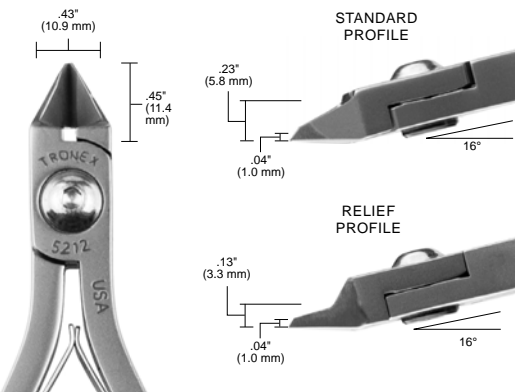
Pointed head allows for increased cutting access yet has sufficient strength to avoid tip breakage when used within its capacity. Most popular cutters.

MINI TAPER CUTTERS are used only for exceptionally fine cutting work when access to the cutting area is difficult.



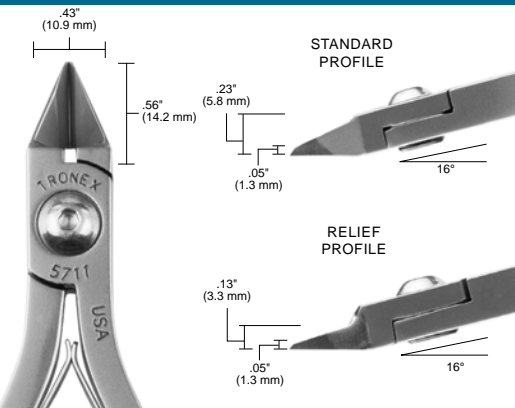
	SEMI-FLUSH	FLUSH		RAZOR FLUSH®	
ITEM NO.	5421 7421*	5412 7412*	5422 7422*	5413 7413*	5423 7423*
PROFILE	RELIEF	STANDARD	RELIEF	STANDARD	RELIEF
CUTTING CAPACITY (SOFT COPPER WIRE)	.008 in - .043 in 0.2 mm - 1.1 mm 32 - 17 AWG	.004 in - .049 in 0.1 mm - 1.25 mm 38 - 16 AWG	.004 in - .039 in 0.1 mm - 1 mm 38 - 18 AWG	.004 in - .031 in 0.1 mm - 0.8 mm 38 - 20 AWG	.004 in - .028 in 0.1 mm - 0.7 mm 38 - 21 AWG
HANDLE LENGTH	STANDARD *LONG ERGONOMIC	STANDARD *LONG ERGONOMIC		STANDARD *LONG ERGONOMIC	
OAL	4.6 in / 117 mm *5.6 in / 142 mm	4.6 in / 117 mm *5.6 in / 142 mm		4.6 in / 117 mm *5.6 in / 142 mm	

MEDIUM TAPER CUTTERS are very popular cutter models providing cutting capacity & outstanding access.



	SEMI-FLUSH		FLUSH		RAZOR FLUSH®	
ITEM NO.	5211 7211	5221 7221*	5212 7212*	5222 7222*	5213 7213*	5223 7223*
PROFILE	STANDARD	RELIEF	STANDARD	RELIEF	STANDARD	RELIEF
CUTTING CAPACITY (SOFT COPPER WIRE)	.008 in - .049 in 0.2 mm - 1.25 mm 32 - 16 AWG	.008 in - .045 in 0.2 mm - 1.15 mm 32 - 17 AWG	.006 in - .049 in 0.15 mm - 1.25 mm 35 - 16 AWG	.004 in - .041 in 0.1 mm - 1.05 mm 38 - 19 AWG	.004 in - .039 in 0.1 mm - 1 mm 38 - 18 AWG	.004 in - .035 in 0.1 mm - 0.9 mm 38 - 19 AWG
HANDLE LENGTH	STANDARD *LONG ERGONOMIC		STANDARD *LONG ERGONOMIC		STANDARD *LONG ERGONOMIC	
OAL	4.6 in / 117 mm *5.6 in / 142 mm		4.6 in / 117 mm *5.6 in / 142 mm		4.6 in / 117 mm *5.6 in / 142 mm	

LARGE TAPER CUTTERS with extra long jaw for possibly cutting multiple leads.

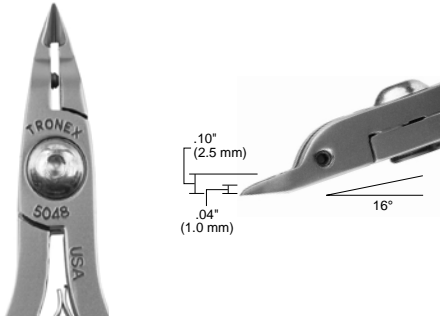


	SEMI-FLUSH	FLUSH		RAZOR FLUSH®	
ITEM NO.	5711 7711	5712 7712*	5722 7722*	5713 7713*	5723 7723*
PROFILE	STANDARD	STANDARD	RELIEF	STANDARD	RELIEF
CUTTING CAPACITY (SOFT COPPER WIRE)	.008 in - .051 in 0.2 mm - 1.3 mm 32 - 16 AWG	.006 in - .051 in 0.15 mm - 1.3 mm 35 - 16 AWG	.006 in - .047 in 0.15 mm - 1.2 mm 35 - 16 AWG	.004 in - .047 in 0.1 mm - 1.2 mm 38 - 16 AWG	.004 in - .035 in 0.1 mm - 0.9 mm 38 - 19 AWG
HANDLE LENGTH	STANDARD *LONG ERGONOMIC	STANDARD *LONG ERGONOMIC		STANDARD *LONG ERGONOMIC	
OAL	4.7 in / 120 mm *5.7 in / 145 mm	4.7 in / 120 mm *5.7 in / 145 mm		4.7 in / 120 mm *5.7 in / 145 mm	

Tip Cutters

Tip cutters are cutting tools with long, narrow jaws that have small, exceptionally sharp edges for cutting at the very tip. All Tronex tip cutters have long jaws for extended reach, feature Razor Flush® cutting edges and a set screw to prevent damage to the blades. Some Tronex tip cutters have lower profiles or have ultra fine cutting tips.

FINE TIP CUTTER



	STANDARD HANDLE
ITEM NO.	5048
CUTTING EDGE	RAZOR FLUSH®
CUTTING CAPACITY (SOFT COPPER WIRE)	.004 in - .025 in 0.1 mm - 0.65 mm 38 - 22 AWG
OAL	4.8 in 121 mm



Ultra fine tips for working with extremely fine electronics applications. Same as 5049 but with pointed tips rather than rounded tips.

MINIATURE HIGH RELIEF TIP CUTTER



	STANDARD HANDLE	LONG ERGONOMIC HANDLE
ITEM NO.	5049	7049
CUTTING EDGE	RAZOR FLUSH®	
CUTTING CAPACITY (SOFT COPPER WIRE)	.004 in - .025 in 0.1 mm - 0.65 mm 38 - 22 AWG	
OAL	4.8 in 121 mm	5.8 in 146 mm

Tip cutter with deep relief for an exceptionally low profile. Short sturdy jaw. Slightly rounded tips.

SMALL TIP CUTTER



	STANDARD HANDLE	LONG ERGONOMIC HANDLE
ITEM NO.	5070	7070
CUTTING EDGE	RAZOR FLUSH®	
CUTTING CAPACITY (SOFT COPPER WIRE)	.004 in - .031 in 0.1 mm - 0.8 mm 38 - 20 AWG	
OAL	5.1 in 129 mm	6.1 in 154 mm

Most popular tip cutter. Jaw is twice as long as jaw of standard cutters. Jaw is slim with a low, relieved profile. Razor Flush® cutting edges.

SUB-MINIATURE TIP CUTTER



	STANDARD HANDLE	LONG ERGONOMIC HANDLE
ITEM NO.	5071	7071
CUTTING EDGE	RAZOR FLUSH®	
CUTTING CAPACITY (SOFT COPPER WIRE)	.002 in - .016 in 0.05 mm - 0.4 mm 40 - 26 AWG	
OAL	4.7 in 120 mm	5.7 in 145 mm

SMT cutter. Extraordinarily small, fine cutting edges and fine tip. Often used under a microscope. Removes individual leads from fine pitch components. Razor Flush® cutting edges.

RUGGED LONG JAW TIP CUTTER



	STANDARD HANDLE	LONG ERGONOMIC HANDLE
ITEM NO.	5088	7088
CUTTING EDGE	RAZOR FLUSH®	
CUTTING CAPACITY (SOFT COPPER WIRE)	.005 in - .039 in 0.13 mm - 1.2 mm 36 - 18 AWG	
OAL	5.1 in 129 mm	6.1 in 154 mm


Same as the 5070/7070 model except wider jaw and wider tip for extra durability and greater cutting capacity. Razor Flush® cutting edges.

ANGULATED & STANDOFF CUTTERS

Angulated Cutters

Most precision hand cutting tools have cutting edges at a 15 to 20 degree angle so that there is clearance for the operator's fingers on the handles. However, a much greater angle may be preferred when access to the object being cut is very limited or when the work area is very crowded. Tronex offers angulated cutters at different angles and with different cutting edge sizes to meet a wide variety of needs.


LARGE 50° POINTED CUTTER



	STANDARD HANDLE	LONG ERGONOMIC HANDLE
ITEM NO.	5004	7004
CUTTING EDGE	FLUSH	
CUTTING CAPACITY (SOFT COPPER WIRE)	.008 in - .031 in 0.2 mm - 0.8 mm 32 - 20 AWG	
OAL	4.7 in 119 mm	5.7 in 144 mm

Large cutting edge with pointed tip. Short jaw for enhanced control.


LARGE 50° CUTTER



	STANDARD HANDLE	LONG ERGONOMIC HANDLE
ITEM NO.	5072	7072
CUTTING EDGE	FLUSH	
CUTTING CAPACITY (SOFT COPPER WIRE)	.008 in - .039 in 0.2 mm - 1 mm 32 - 18 AWG	
OAL	4.8 in 123 mm	5.8 in 148 mm

Largest cutting head. Robust and excellent in cutting several leads in a single cut. Relieved for enhanced visibility.


MINIATURE 50° CUTTER



	STANDARD HANDLE	LONG ERGONOMIC HANDLE
ITEM NO.	5075	7075
CUTTING EDGE	FLUSH	
CUTTING CAPACITY (SOFT COPPER WIRE)	.004 in - .025 in 0.1 mm - 0.65 mm 38 - 22 AWG	
OAL	4.9 in 124 mm	5.9 in 149 mm

An SMT cutter with a very small cutting head. Used for exceptionally fine cutting. Relieved for maximum accessibility.


SMALL 50° POINTED CUTTER



	STANDARD HANDLE	LONG ERGONOMIC HANDLE
ITEM NO.	5080	7080
CUTTING EDGE	FLUSH	
CUTTING CAPACITY (SOFT COPPER WIRE)	.008 in - .030 in 0.1 mm - 0.8 mm 32 - 20 AWG	
OAL	4.9 in 124 mm	5.9 in 149 mm

Angulated cutter with a very pointed tip which allows for maximum accessibility into confined areas.


SMALL 50° CUTTER



	STANDARD HANDLE	LONG ERGONOMIC HANDLE
ITEM NO.	5082	7082
CUTTING EDGE	FLUSH	
CUTTING CAPACITY (SOFT COPPER WIRE)	.008 in - .030 in 0.1 mm - 0.8 mm 32 - 20 AWG	
OAL	4.9 in 124 mm	5.9 in 149 mm

Most popular angulated cutter. Small cutting head with relief for excellent visibility. Durability combined with fine cutting.

SMALL 70° CUTTER

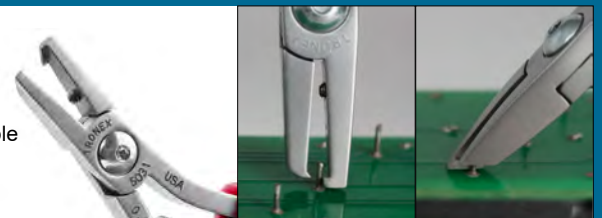


	STANDARD HANDLE	LONG ERGONOMIC HANDLE
ITEM NO.	5083	7083
CUTTING EDGE	FLUSH	
CUTTING CAPACITY (SOFT COPPER WIRE)	.008 in - .025 in 0.2 mm - 0.65 mm 32 - 22 AWG	
OAL	4.9 in 124 mm	5.9 in 149 mm

An SMT cutter. Steep 70° angle with a very fine cutting head allows special access.

Standoff Cutters

Cut to a predetermined standoff length available from .5mm to 3mm. Includes a unique anti-dulling protection. Set screw prevents cutting edge from hitting the standoff leg after a cut has been made. Cutting edge hardened by induction heat treating. Standoff Cutters are available in 45 or 90 degree angles and standard or long ergonomic handle length. The cutting capacity for soft copper wire ranges from 32 - 22 AWG. Visit TronexTools.com for more information.



PRECISION STAINLESS STEEL

Item No.	Description
00-SA-CH	General Purpose, Fine Tips, Style 00
00D-SA-CH	General Purpose with Finger Grooves, Fine Serrated Tips, Style 00D
2A-SA-CH	Slight Taper, Blunt Rounded Tips, Style 2A
3-SA-CH	NEW! General Purpose, Very Fine Tips, Style 3
3C-SA-CH	General Purpose, Shorter, Very Fine Tips, Style 3C
3CB-SA-CH	Bent Very Fine Tips, Style 3CB
5-SA-CH	Extra Taper, Very Fine Tips, Style 5
51-SA-CH	NEW! Bent Very Fine Tips, Style 51
7-SA-CH	Curved Very Fine Tips, Style 7
AA-SA-CH	General Purpose, Fine Tips, Style AA
SS-SA-CH	Long/Thin, Very Fine Tips, Style SS

NEW! LIGHTWEIGHT PLASTIC DISSIPATIVE

Item No.	Description
P2A-STD	Flat, Round Blunt Tips, Style 2A
P35-STD	Straight, Flat Tips, Style 35
P3C-STD	General Purpose, Very Fine Tips, Style 3C
P7-STD	Curved Very Fine Tips, Style 7

NEW! REPLACEABLE DISSIPATIVE TIPS

Item	Description
1304-SA-STD-CH	General Purpose, Fine Tips, Style 00, NEW! Replacement Tips: TIP-STD-4-CH
1304B-SA-STD-CH	Curved Very Fine Tips, Style 7, NEW! Replacement Tips: TIP-STD-4B-CH
1315-SA-STD-CH	Extra Taper, Very Fine Tips, Style 5, NEW! Replacement Tips: TIP-STD-15-CH
1316-SA-STD-CH	Taper, Very Fine Tips, Style 2, NEW! Replacement Tips: TIP-STD-16-CH
1317-SA-STD-CH	Slight Taper, Blunt Rounded Tips, Style 2A, NEW! Replacement Tips: TIP-STD-17-CH

MINI STAINLESS STEEL

Item	Description
M2A-SA-CH	Short, Slight Taper, Blunt Rounded Tips, Style 2A
M3C-SA-CH	Short, Slight Taper, Very Fine Tips, Style 3C
M5-SA-CH	Short, Extra Taper, Very Fine Tips, Style 5

CUTTING

Item	Description
15AC-CH	Medium Head, Pointed Tips, Style 15AC
15AGW-CH	Large Head, Pointed Tips, Style 15AGW
15AP-CH	NEW! Large Head, Parallel Cut, Pointed Tips, Style 15AP

NEW! WAFER HANDLING

Item	Description
T5508W-SA-STD-CH	Replaceable Dissipative Tips, Stainless Handles

ACCESSORIES

Item	Description
M-CASE-10	Carrying Case Only, Magnetic Closure, 10 Piece
Z-CASE-10	Carrying Case Only, Zipper Closure, 10 Piece

Tweezers

With an emphasis on quality craftsmanship, Tronex has sourced tweezers produced to exacting standards by toolmakers who have been making tweezers for decades.



Carrying Cases Available!



M-CASE-10

Z-CASE-10

STYLE	DESCRIPTION
00	General Purpose, Fine Tips
00D	General Purpose with Finger Grooves, Fine Serrated Tips
2	Taper, Very Fine Tips
2A	Slight Taper, Blunt Rounded Tips
3	General Purpose, Very Fine Tips
3C	General Purpose, Shorter, Very Fine Tips
3CB	Bent Very Fine Tips
35	Straight, Flat Tips
5	Extra Taper, Very Fine Tips
51	Bent Very Fine Tips
7	Curved Very Fine Tips
AA	General Purpose, Fine Tips
SS	Long/Thin, Very Fine Tips
AC	Cutting – Medium Head, Pointed Tips
AGW	Cutting – Large Head, Pointed Tips
AP	Cutting – Large Head, Parallel Cut

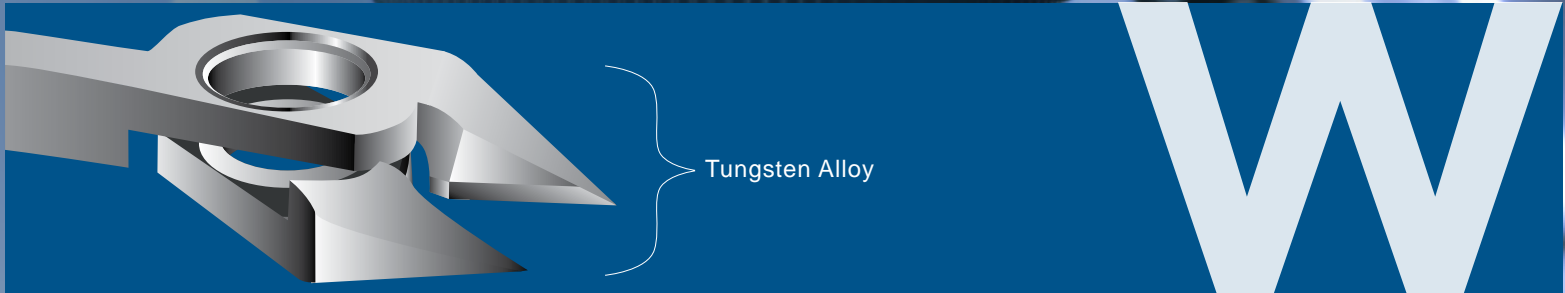


FINE HARD WIRE CUTTERS

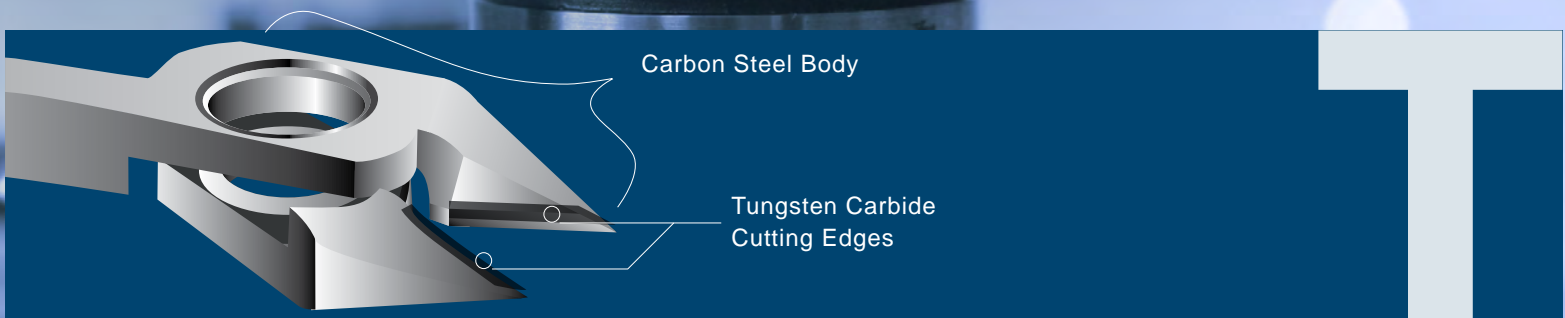
CLASS W & T CUTTERS

MEDICAL DEVICE MANUFACTURING

Tronex hard wire cutters are designed specifically for cutting very fine hard wire typically used in medical device manufacturing. These specialty cutters are often used under a microscope and cut very fine hard wire including Nitinol, Stainless Steel, Elgiloy and Tungsten. These cutters are ideal for cutting stents, catheters and braided mesh used in medical device manufacturing.



- Made entirely from a super tungsten alloy containing tungsten, cobalt, vanadium, and chromium.
- Machined and formed at the Tronex factory to high dimensional tolerances, exceptionally sharp cutting edges, and featuring Tronex's unique joint design.
- Vacuum furnace-hardened and tempered to achieve a cutting edge hardness of 66 to 68 HRC. Cutters made from carbon steel have a maximum cutting edge hardness of 62 to 63 HRC.
- Cutter heads and tips are smaller and narrower than tips on Tronex Class T cutters. Therefore, Class W cutters are effective in cutting in confined areas and into coils. Class W cutters are often used to cut medical wire under a microscope.
- Particularly fine grained cutting edges allow cutting of very thin wire with diameter of less than .005" (0.1mm). Class W cutters cut slightly more flush than Class T cutters
- Set screw stops (pre-set at the factory) prevent overlapping, help decrease shock from the cutting force, and reduce dulling.



- Body of the tool made of hardened carbon steel.
- Cutting edges are made of tungsten carbide material silver brazed into the jaw of the carbon steel body.
- Diamond grinding at the Tronex factory forms the head shape and sharpens the cutting edges to high dimensional tolerances. All Class T cutters feature the unique Tronex joint design.
- Grade of Tungsten carbide optimizes toughness and hardness. Cutting edge hardness is in the range of 79 to 81 HRC.
- Dual material design allows for higher cutting capacities than for Class W cutters. Cuts hard wire to a diameter of .025" (.65mm).
- Class T cutters have harder cutting edges than Class W cutters. Therefore Class T cutters can cut harder wire than Class W cutters. For example Class T cutters can cut fine tungsten wire, Class W cannot cut fine tungsten wire.
- Dual material design of Class T cutters makes these tools tougher and less fragile than Class W cutters. Class W cutters are likely to fracture if dropped on a concrete floor.
- Set screw stops (pre-set at the factory) prevent overlapping, help decrease shock from the cutting force, and reduce dulling.

W CUTTERS MADE ENTIRELY FROM TUNGSTEN ALLOY STEEL

50° WIDE HEAD CUTTER		50° THIN HEAD CUTTER - SLIGHTLY ROUNDED TIPS			
	STANDARD HANDLE		STANDARD HANDLE		
	ITEM NO.		5081W	ITEM NO.	5084W
	CUTTING EDGE		FLUSH	CUTTING EDGE	FLUSH
	CUTTING CAPACITY (STEEL WIRE)		.003 in - .007 in 0.08 mm - 0.18 mm 39 - 33 AWG	CUTTING CAPACITY (STEEL WIRE)	.003 in - .007 in 0.08 mm - 0.18 mm 39 - 33 AWG
	OAL		4.6 in 117 mm	OAL	4.9 in 123 mm

MINIATURE OVAL HEAD CUTTER		MINIATURE TAPER RELIEF HEAD CUTTER			
	STANDARD HANDLE		STANDARD HANDLE		
	ITEM NO.		5312W	ITEM NO.	5422W
	CUTTING EDGE		FLUSH	CUTTING EDGE	FLUSH
	CUTTING CAPACITY (STEEL WIRE)		.003 in - .010 in 0.08 mm - 0.25 mm 39 - 30 AWG	CUTTING CAPACITY (STEEL WIRE)	.003 in - .010 in 0.08 mm - 0.25 mm 39 - 30 AWG
	OAL		4.5 in 116 mm	OAL	4.6 in 117 mm

T CUTTERS MADE WITH TUNGSTEN CARBIDE INSERTS BRAZED INTO THE CUTTING EDGES

OVAL HEAD CUTTER		TAPER HEAD CUTTER			
	STANDARD HANDLE		STANDARD HANDLE		
	ITEM NO.		5112T	ITEM NO.	5212T
	CUTTING EDGE		FLUSH	CUTTING EDGE	FLUSH
	CUTTING CAPACITY (STEEL WIRE)		.008 in - .025 in 0.2 mm - 0.65 mm 32 - 22 AWG	CUTTING CAPACITY (STEEL WIRE)	.008 in - .020 in 0.2 mm - 0.51 mm 32 - 24 AWG
	OAL		4.6 in 117 mm	OAL	4.6 in 117 mm

COMPOUND CUTTER			
	LONG ERGONOMIC HANDLE	LONG ERGONOMIC HANDLE	
	ITEM NO.	7011T	7012T
	CUTTING EDGE	SEMI-FLUSH	FLUSH
	CUTTING CAPACITY (STEEL WIRE)	.012 in - .032 in 0.32 mm - 0.81 mm 28 - 20 AWG	
	OAL	6.2 in 157 mm	

TRONEX PLIERS

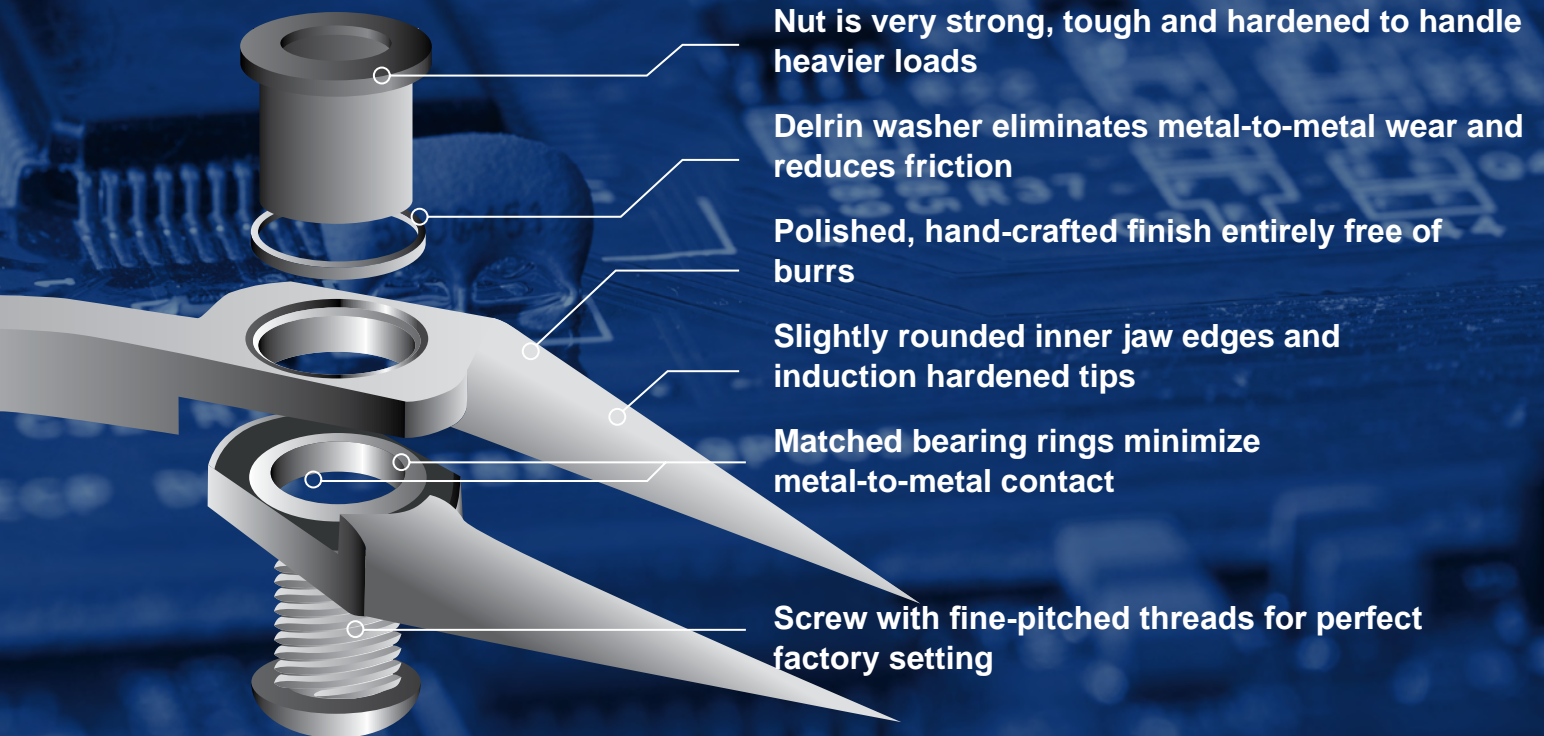
Precision Pliers

Tronex precision pliers are 100% made in the USA with US sourced carbon steel. Our pliers are precision pliers – just like our cutters, and are designed for a high level of performance and comfort. Tronex pliers offer some unique characteristics including:

- ESD Safe cushion grips with stainless steel leaf springs
- Most offer a choice of standard handle length or long, ergonomic handle length
- Polished, hand-crafted finish; entirely free of burrs
- Special design elements such as slightly rounded inner jaw edges and induction hardened tips

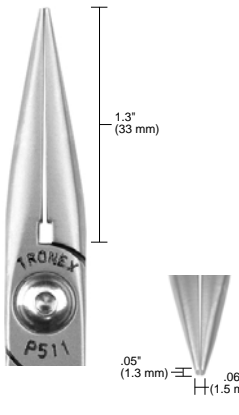
Bearing Ring Lap Joint

Tronex pliers feature an innovative bearing ring lap joint design for smooth function, strength and durability. Most pliers on the market have only a lap joint or rivet joint. Tronex pliers will function better, feel more comfortable and last longer than other pliers. This is one of the reasons why Tronex pliers are considered the best performing precision pliers in the world.

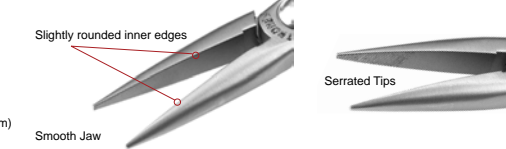


CHAIN NOSE PLIERS

CHAIN NOSE LONG, SMOOTH JAW PLIERS



	STANDARD HANDLE	LONG ERGONOMIC HANDLE
SMOOTH TIPS	P511	P711
SERRATED TIPS	P511S	P711S
OAL	5.5 in 138 mm	6.5 in 164 mm



1.3" (33 mm)

.05" (1.3 mm) .06" (1.5 mm)

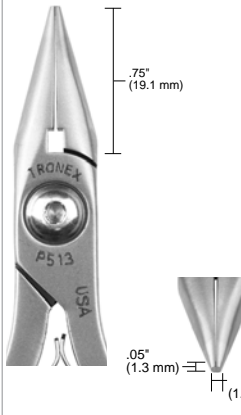
Slightly rounded inner edges

Smooth Jaw


Serrated Tips

Ultra fine tips pliers for working with extremely fine electronics applications and reaching into confined spaces. Can grip fine leads without marring them. A comfortable alternative to tweezers for certain applications.

CHAIN NOSE SHORT JAW PLIERS



	STANDARD HANDLE	LONG ERGONOMIC HANDLE
SMOOTH TIPS	P513	P713
SERRATED TIPS	P513S	P713S
OAL	4.9 in 124 mm	5.9 in 150 mm



.75" (19.1 mm)

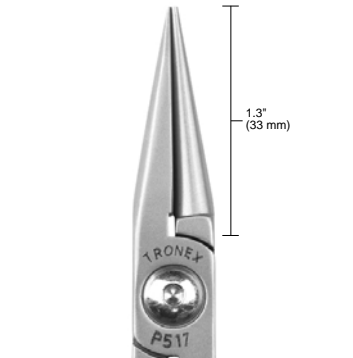
.05" (1.3 mm) .06" (1.5 mm)

Slightly rounded inner edges

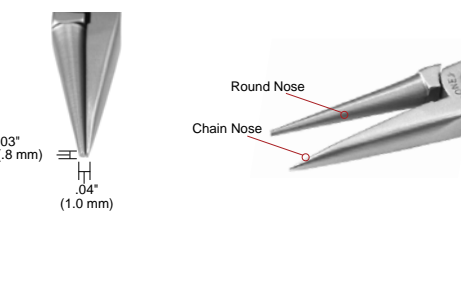
Serrated Tips

The short jaw provides increased stiffness at the tips to resist deformation when working with heavier gauge wire. Induction hardened tips (60 HRC).

HALF CHAIN NOSE & HALF ROUND NOSE PLIERS



	STANDARD HANDLE	LONG ERGONOMIC HANDLE
SMOOTH TIPS	P517	P717
OAL	5.4 in 137 mm	6.4 in 163 mm



1.3" (33 mm)

.03" (.8 mm) .04" (1.0 mm)

Round Nose

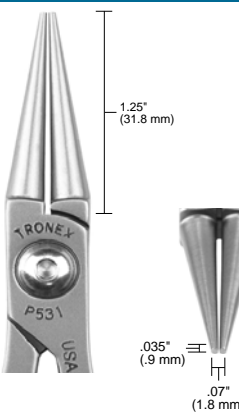
Chain Nose

	STANDARD HANDLE	LONG ERGONOMIC HANDLE
SMOOTH TIPS	P517	P717
OAL	5.4 in 137 mm	6.4 in 163 mm

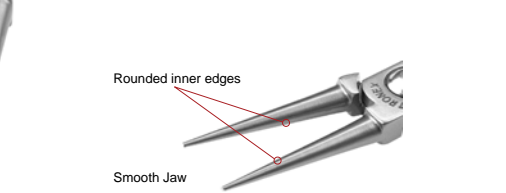
Half Chain Nose and Half Round Nose specialty pliers are used for wrapping and bending wire or leads.

ROUND NOSE PLIERS

ROUND NOSE LONG JAW PLIERS



	STANDARD HANDLE	LONG ERGONOMIC HANDLE
SMOOTH TIPS	P531	P731
OAL	5.4 in 137 mm	6.4 in 163 mm



1.25" (31.8 mm)


.035" (.9 mm) .07" (1.8 mm)

Rounded inner edges

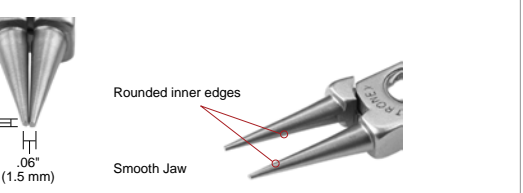
Smooth Jaw

Round nose pliers are used in electronics and in jewelry making, primarily for making loops. Long Jaws allow for broader range of loop diameters.

ROUND NOSE SHORT JAW PLIERS



	STANDARD HANDLE	LONG ERGONOMIC HANDLE
SMOOTH TIPS	P532	P732
OAL	4.9 in 124 mm	5.9 in 150 mm



.78" (19.8 mm)

.03" (0.8 mm) .06" (1.5 mm)

Rounded inner edges

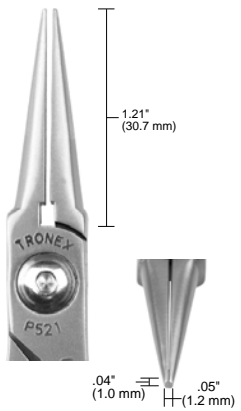
Smooth Jaw

Round nose pliers are used in electronics and in jewelry making, primarily for making loops. Shorter jaws allow for ultra fine looks. Designed for very fine wire. Induction hardened tips (60 HRC).

NEEDLE NOSE & FLAT NOSE PLIERS

NEEDLE NOSE PLIERS

NEEDLE NOSE LONG SMOOTH JAW PLIERS



1.21" (30.7 mm)

	STANDARD HANDLE	LONG ERGONOMIC HANDLE
SMOOTH TIPS	P521	P721
SERRATED TIPS	P521S	P721S
OAL	5.4 in 137 mm	6.4 in 163 mm

Smooth Jaw

Slightly rounded inner edges

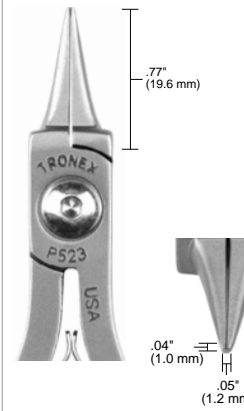
Serrated Tips

.04" (1.0 mm)

.05" (1.2 mm)

Needle nose pliers are used primarily in fine electronics work. They feature jaws that are machined in thin half cones. This thin profile increases tool access. The cone shape can be used for precision loop forming of leads or wire.

NEEDLE NOSE SHORT JAW PLIERS



.77" (19.6 mm)

	STANDARD HANDLE	LONG ERGONOMIC HANDLE
SMOOTH TIPS	P523	P723
OAL	4.9 in 124 mm	5.9 in 150 mm

Smooth Jaw

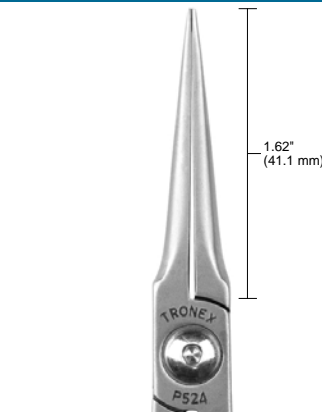
Slightly rounded inner edges

.04" (1.0 mm)

.05" (1.2 mm)

Same as our needle nose pliers, but shorter tips. Induction hardened tips (60 HRC).

NEEDLE NOSE EXTRA LONG JAW PLIERS



1.62" (41.1 mm)

	STANDARD HANDLE	LONG ERGONOMIC HANDLE
SMOOTH TIPS	P524	P724
OAL	5.8 in 147 mm	6.8 in 172 mm

Smooth Jaw

Slightly rounded inner edges

.04" (1.0 mm)

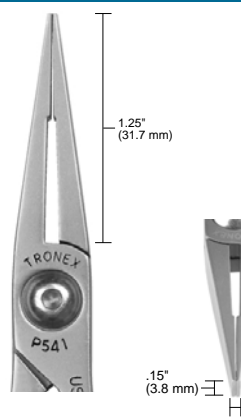
.05" (1.2 mm)

	STANDARD HANDLE	LONG ERGONOMIC HANDLE
SMOOTH TIPS	P524	P724
OAL	5.8 in 147 mm	6.8 in 172 mm

Extra long tips for access into hard to reach spots, .37" longer than our standard needle nose pliers. Originally designed for electronics use.

FLAT NOSE PLIERS

FLAT NOSE LONG JAW STEP TIP PLIERS



1.25" (31.7 mm)

	STANDARD HANDLE	LONG ERGONOMIC HANDLE
SMOOTH TIPS	P541	P741
OAL	5.4 in 137 mm	6.4 in 163 mm

Smooth Jaw

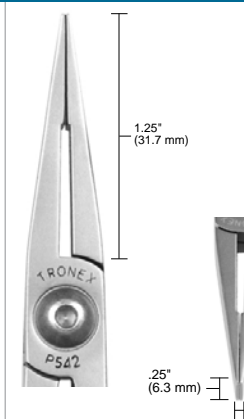
Slightly rounded inner edges

.15" (3.8 mm)

.06" (1.5 mm)

Flat nose pliers are used for gripping and bending wire.

FLAT NOSE WIDE STEP TIP PLIERS



1.25" (31.7 mm)

	STANDARD HANDLE	LONG ERGONOMIC HANDLE
SMOOTH TIPS	P542	P742
OAL	5.4 in 137 mm	6.4 in 163 mm

Smooth Jaw

Slightly rounded inner edges

.25" (6.3 mm)

.06" (1.5 mm)

Very similar to Tronex P541/P741 pliers, these pliers have slightly wider tips.

FLAT NOSE & BENT NOSE PLIERS

FLAT NOSE LONG JAW NO STEP PLIERS

	STANDARD HANDLE	LONG ERGONOMIC HANDLE
SMOOTH TIPS	P543	P743
OAL	5.4 in 137 mm	6.4 in 163 mm

Slightly rounded inner edges
Smooth Jaw

These pliers have a long, smooth jaw without the step at the tip. They also offer extended reaching capability with a long, thin nose.

FLAT NOSE SHORT JAW PLIERS

	STANDARD HANDLE	LONG ERGONOMIC HANDLE
SMOOTH TIPS	P544	P744
OAL	5 in 126 mm	6 in 151 mm

Slightly rounded inner edges
Smooth Jaw

These very popular pliers offer exceptional leverage with shorter blades. Tips have been heat treated for exceptional hardness (60 HRC).

FLAT NOSE WIDE TIP SHORT JAW PLIERS

	STANDARD HANDLE	LONG ERGONOMIC HANDLE
SMOOTH TIPS	P545	P745
OAL	5 in 126 mm	6 in 151 mm

Slightly rounded inner edges
Smooth Jaw

	STANDARD HANDLE	LONG ERGONOMIC HANDLE
SMOOTH TIPS	P545	P745
OAL	5 in 126 mm	6 in 151 mm

Same as P544/P744 pliers, but slightly wider tips. Induction hardened tips (60 HRC).

BENT NOSE PLIERS

BENT NOSE 60 DEGREE FINE TIPS PLIERS

	STANDARD HANDLE	LONG ERGONOMIC HANDLE
SMOOTH TIPS	P551	P751
OAL	5 in 126 mm	6 in 151 mm

Slightly rounded inner edges
Smooth Jaw

Bent nose pliers are used in electronics where they are often used in place of tweezers. Fine tips on Tronex bent nose pliers provide exceptional access. Bent nose pliers are also used in jewelry making.

BENT NOSE 60 DEGREE STURDY TIPS PLIERS

	STANDARD HANDLE	LONG ERGONOMIC HANDLE
SMOOTH TIPS	P552	P752
OAL	5 in 126 mm	6 in 151 mm

Slightly rounded inner edges
Smooth Jaw

These bent nose pliers offer the same popular shape as our other bent nose pliers but with heftier, sturdier tips. These tips allow for usage with heavier gauge wire but still allow for exceptional access to confined spaces. Induction hardened tip (60 HRC).

BENT NOSE 45 DEGREE VERY FINE TIPS PLIERS

	STANDARD HANDLE	LONG ERGONOMIC HANDLE
SMOOTH TIPS	P555	P755
OAL	4.9 in 124 mm	5.9 in 150 mm

Slightly rounded inner edges
Smooth Jaw

These bent nose pliers have a 45° angle rather than our standard 60° angle bent nose pliers. This tool also has finer tips than our other bent nose pliers. It is designed for working with fine wire and getting into very tight areas. Induction hardened tips (60 HRC).

ABOUT US

The **MENDA** brand name is recognized around the world as the “standard” for finger touch liquid dispensing. MENDA is famous for its high performance line of “dish type” liquid dispenser pumps and bottles, which are widely used in beauty, industrial electronics assembly, clean room and medical applications. MENDA is more than just a dispenser pump and bottle company. The MENDA product offering includes specialty tools, such as Circuitracers®, Probes, Spudgers, ESD Vacuums, Workstation Organizers, ESD Brushes, Fume Extractors, Specialty Vinyl Sealed Products, Identification Badge Holders and more!

EasyBraid is a manufacturer of supplies and equipment used in the PCB assembly industry. EasyBraid strives to deliver a complete solution to quality inspection and repair/rework needs. EasyBraid’s desoldering braid is manufactured using environmentally safe chemicals and processed in our Minnesota facility. It is made of clean, oxide-free copper and contains increased surface area (more copper) per square inch, for economical and consistent results. We also offer a wide range of products that include stencil rolls and solder tip cleaners.

TRONEX is a designer and manufacturer of high quality precision hand cutting tools and pliers, also offering tweezers and wire strippers. Tronex strives to deliver a complete solution to quality manufacturing and repair/rework needs. Located near California’s Silicon Valley, Tronex initially developed products specifically to meet the demanding needs of the region’s high tech electronics industry customers. Over time Tronex has expanded its customer base and expertise beyond the electronics industry and has become an important supplier to customers in a variety of industries all over the world.

MENDA EasyBraid and **TRONEX** have teamed up to offer a complete solution for every workstation.

CONTACT US

MENDA

Request a Sample, Demo or Virtual Workstation Evaluation!

No-charge samples of most of our products are available for testing/review purposes for qualified applications.

(909) 627-2453
Service@MENDATools.com

3651 Walnut Avenue
Chino, CA 91710 USA

