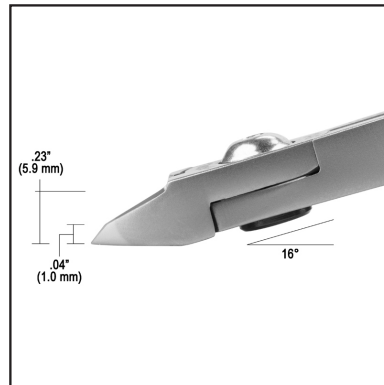
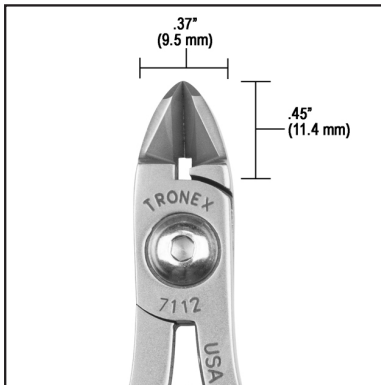




**Features:**

- **Application:** Used for general purpose cutting, strong and versatile
- **Head Shape:** Medium Oval Head
- **Material:** Carbon Steel
- **Material Hardness:** 62-63 HRC
- **Handle Grips:** Cushion Double Sheathed, ESD Safe
- **RTT Resistance:**  $<1 \times 10^{11}$  ohms tested per ANSI/ESD STM11.13 Two-Point Probe, resistance measurement for static dissipative materials

Item	Cutting Edge	Cutting Capacity (Soft Copper Wire)	Profile	Handle Length	Overall Length
7112	Flush	.006 in - .049 in 0.15 mm - 1.25 mm 35 - 16 AWG	Standard	Long Ergonomic	5.6 in 142 mm



Standard Profile

Specifications and procedures subject to change without notice.

Unless otherwise noted, tolerance is  $\pm 10\%$ .



Made in the United States of America

**MEDIUM OVAL HEAD FLUSH CUTTER, LONG HANDLE**

2860 CORDELIA RD STE 230, FAIRFIELD CA, 94534  
 PHONE: (909) 627-2453  
 WEBSITE: [TronexTools.com](http://TronexTools.com)

**DRAWING NUMBER**  
7112

**DATE**  
June 2021

**TRONEX**