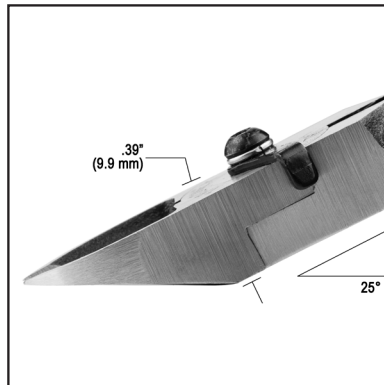
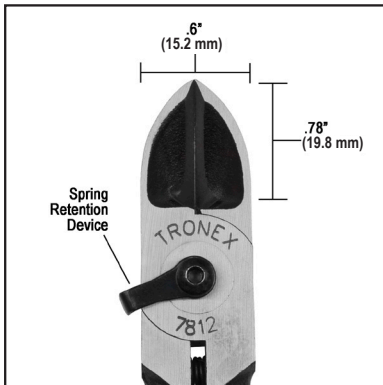




Features:

- **Application:** This cutter, forged of carbon steel, has strength in the head and joint areas needed to cut heavier gauge wire or cable
- **Head Shape:** Extra Large Oval Head
- **Material:** Carbon Steel
- **Material Hardness:** 62-63 HRC
- **Handle Grips:** Cushion Double Sheathed, ESD Safe
- **RTT Resistance:** $<1 \times 10^{11}$ ohms tested per ANSI/ESD STM11.13 Two-Point Probe, resistance measurement for static dissipative materials

Item	Cutting Edge	Cutting Capacity (Soft Copper Wire)	Profile	Handle Length	Overall Length
7812	Flush	.010 in - .080 in 0.3 mm - 2 mm 29 - 12 AWG	Standard	Long Ergonomic	6.2 in 156 mm



Standard Profile

Specifications and procedures subject to change without notice.

Unless otherwise noted, tolerance is $\pm 10\%$.



Made in the United States of America

EXTRA LARGE OVAL HEAD FLUSH HEAVY DUTY CUTTER, LONG HANDLE

2860 CORDELIA RD STE 230, FAIRFIELD CA, 94534
 PHONE: (909) 627-2453
 WEBSITE: TronexTools.com

DRAWING NUMBER
7812

DATE
October 2021

TRONEX