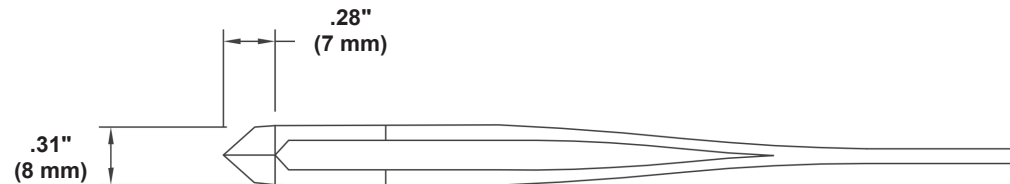
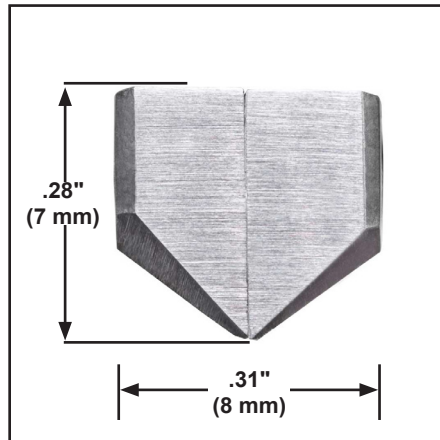
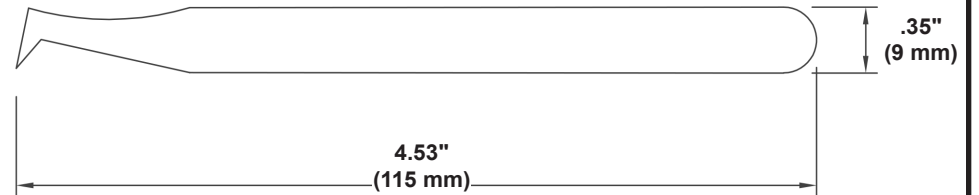




Features:

- **International Style:** 15AC
- **Material:** Hardened Polished Carbon Steel
- **Magnetic Properties:** Magnetic
- **Corrosion Resistance:** Not Anti-Acid
- **Finish:** Polished
- **Tips:** Flat head
- **Made in Switzerland**



Unless otherwise noted, tolerance is $\pm 10\%$.

CUTTING/STRIPPING TWEEZER, MEDIUM, POINTED TIPS, STYLE 15AC

Specifications and procedures subject to change without notice.

TRONEX

2860 CORDELIA RD STE 230, FAIRFIELD CA, 94534
 PHONE: (909) 627-2453
 WEBSITE: TronexTools.com

DRAWING NUMBER
15AC-CH

DATE
MAY
2020