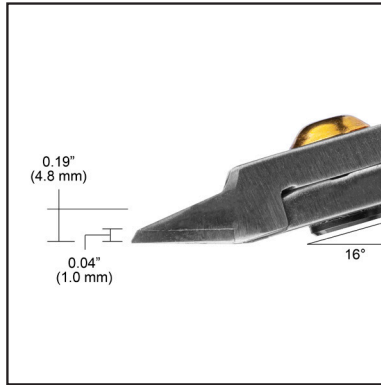
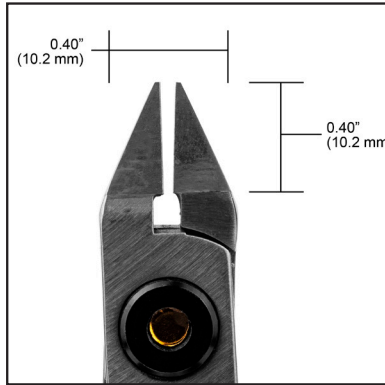




**Features:**

- **Application:** Designed with a dual material construction combining the high yield strength of carbon steel for the body and intense localized hardness of Tungsten Carbide for the cutting edges
- **Head Shape:** Taper Head
- **Material:** Carbon Steel body, Tungsten Carbide cutting edges
- **Material Hardness:** 79-81 HRC
- **Handle Grips:** Cushion Double Sheathed, ESD Safe
- **RTT Resistance:**  $<1 \times 10^{11}$  ohms tested per ANSI/ESD STM11.13 Two-Point Probe, resistance measurement for static dissipative materials

Item	Cutting Edge	Cutting Capacity (Soft Copper Wire)	Profile	Handle Length	Overall Length
5212T	Flush	.008 in - .020 in 0.2 mm - 0.51 mm 32 - 24 AWG	Standard	Standard	4.6 in 117 mm



Standard Profile

Unless otherwise noted, tolerance is  $\pm 10\%$ .



Made in the United States of America

Specifications and procedures subject to change without notice.

**HARD WIRE CUTTER TUNGSTEN CARBIDE EDGES TAPER FLUSH, STANDARD HANDLE**

**TRONEX**

2860 CORDELIA RD STE 230, FAIRFIELD CA, 94534  
 PHONE: (909) 627-2453  
 WEBSITE: [TronexTools.com](http://TronexTools.com)

**DRAWING NUMBER**  
5212T

**DATE**  
November 2021