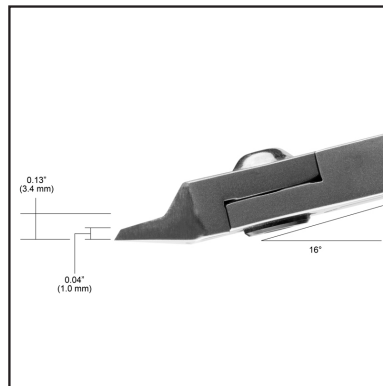
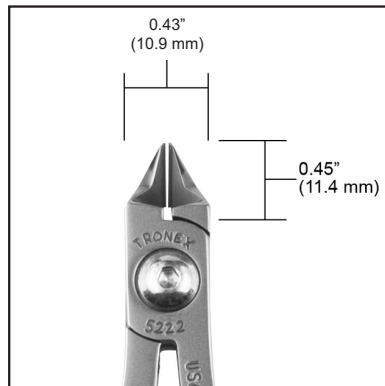




**Features:**

- **Application:** Taper Cutters have a pointed head that allows for increased cutting access yet has sufficient strength to avoid tip breakage when used within its capacity. 5222 is a popular cutter model that provides cutting capacity and outstanding access.
- **Head Shape:** Medium Relieved Taper Head
- **Material:** Carbon Steel
- **Material Hardness:** 62-63 HRC
- **Handle Grips:** Cushion Double Sheathed, ESD Safe
- **RTT Resistance:**  $<1 \times 10^{11}$  ohms tested per ANSI/ESD STM11.13 Two-Point Probe, resistance measurement for static dissipative materials

Item	Cutting Edge	Cutting Capacity (Soft Copper Wire)	Profile	Handle Length	Overall Length
5222	Flush	.004 in - .041 in 0.1 mm - 1.05 mm 38 - 19 AWG	Relief	Standard	4.6 in 117 mm



Relief Profile

Specifications and procedures subject to change without notice.

Unless otherwise noted, tolerance is  $\pm 10\%$ .



Made in the United States of America

**MEDIUM TAPER RELIEF FLUSH CUTTER, STANDARD HANDLE**

2860 CORDELIA RD STE 230, FAIRFIELD CA, 94534  
 PHONE: (909) 627-2453  
 WEBSITE: [TronexTools.com](http://TronexTools.com)

**DRAWING NUMBER**  
5222

**DATE**  
August 2021

**TRONEX**