

MENDA

Quality Workstation Tools
and Accessories



PRODUCT OFFERING

- Liquid Pump Dispensers
- Specialty Tools
- Workbench Accessories
- ESD Vacuum Cleaners
- Fume Extractors
- Desoldering Braid
 - Stencil Rolls
 - Solder Sponges
- Cutters, Pliers and Tweezers
- Custom Products and More!

LIQUID DISPENSERS

MENDA PUMP GUIDE

One-Touch Pump

- Simple one-handed finger-tip dispensing
- Liquid drains into bottle to reduce evaporation
- 🔒 Lockable travel model: Take-Along Pump



Pure-Touch Pump

- Dispensed fluid stays in the top dish and does not drain into bottle
- Prevents liquid contamination
- 🔒 Lockable travel model: Pure-Take Pump



Lasting Touch Dispensers 🇺🇸



- Push-down pump top for easy dispensing
- Wide-neck opening
- Dark bottle options for light sensitive liquids
- Long-lasting imprinted labels

| Item No. | Description |
|----------|--|
| 35601 | Brown Round HDPE, 8 oz, Alcohol Print |
| 35602 | Brown Round HDPE, 8 oz |
| 35603 | Natural White Round HDPE, 8 oz |
| 35608 | Amber Round Glass, 8 oz, Alcohol Print |

Amber Glass Dispensers 🇺🇸

- Dark glass bottle protects light-sensitive fluids
- Translucent glass construction
- 4 oz bottle capacity
- Stainless-steel push-down pump top for easy dispensing
- 🛡️ Impact-resistant safety coated bottle options available
- 🔒 Locking Pure-Take and Take-Along pump options available
- PFA stem options for tough chemical dispensing



Impact-Resistant Safety Coating (Plastisol)

| Item No. | Description |
|----------|-------------------------|
| 35112 | Pure-Touch, LDPE Stem |
| 35315 | One-Touch, LDPE Stem |
| 35740 | One-Touch, PFA Stem 🛡️ |
| 35741 | Pure-Touch, PFA Stem 🛡️ |
| 35742 | Pure-Take, PFA Stem 🛡️🔒 |
| 35770 | One-Touch, PFA Stem 🛡️ |

Natural HDPE Liquid Dispensers 🇺🇸



- Push-down pump top for easy dispensing
- Wide-neck opening
- Natural HDPE bottles - no color added
- 🔒 Locking Pure-Take and Take-Along pump models available for travel

| Item No. | Description | Item No. | Description |
|----------|------------------|----------|---------------------|
| 35304 | One-Touch, 2 oz | 35803 | Pure-Take, 4 oz 🛡️ |
| 35305 | One-Touch, 4 oz | 35701 | Take-Along, 2 oz 🛡️ |
| 35309 | One-Touch, 6 oz | 35702 | Take-Along, 4 oz 🛡️ |
| 35312 | One-Touch, 8 oz | 35703 | Take-Along, 6 oz 🛡️ |
| 35505 | Pure-Touch, 4 oz | 35704 | Take-Along, 8 oz 🛡️ |
| 35508 | Pure-Touch, 6 oz | | |
| 35510 | Pure-Touch, 8 oz | | |

Twist-Lock Dispenser

- 🔒 Locks with a twist for leak-free travel
- Push-down pump top for easy dispensing
- Durable and lightweight



| Item No. | Description |
|----------|-------------------------------|
| 35215 | White Pump, 8 oz 🛡️ |
| 35216 | White, alcohol Print, 8 oz 🛡️ |
| 35235 | Black Pump, 8 oz 🛡️ |

Clear Glass Dispensers 🇺🇸



- Clear glass allows storage of fluids not compatible with plastic
- PFA stem included with superior chemical resistivity
- Compact size; decants small amounts of chemicals
- 1 oz bottle capacity

| Item No. | Description |
|----------|--|
| 35896 | One-Touch, Clear Glass with PFA Stem, 1 oz |
| 35897 | Take-Along, Clear Glass with PFA Stem, 1 oz 🛡️ |
| 35898 | Pure-Touch, Clear Glass with PFA Stem, 1 oz |
| 35899 | Pure-Take, Clear Glass with PFA Stem, 1 oz 🛡️ |

Frosted Glass Dispensers


- Translucent frosted glass bottle
- Allows storage of fluid not compatible with plastic
- Square base reduces risk of being knocked over and rolling off surfaces
- Attractive solution for display areas and show booths



| Item No. | Description |
|----------|---------------------------------------|
| 35361 | One-Touch, Clear Frosted Glass, 4 oz |
| 35362 | One-Touch, Clear Frosted Glass, 6 oz |
| 35576 | Pure-Touch, Clear Frosted Glass, 4 oz |
| 35577 | Pure-Touch, Clear Frosted Glass, 6 oz |





Tin-Plated Steel Can Dispensers

-  Stainless-steel MENDA pump with conductive tin-plated steel can dispenses tough fluids
- Allows storage of fluid not compatible with plastic
- PFA stem option available
- Locking pump options will not leak when engaged

| Item No. | Description |
|----------|--|
| 35255 | Pure-Take, Tin Can, 4 oz  |
| 35335 | One-Touch, Tin Can, 4 oz  |

Replacement Stems

- Replacement stems for your favorite pumps
- LDPE: Fits 8 oz HDPE bottles (cut to fit any HDPE MENDA bottle)
- PFA: Fits 4 oz amber glass bottles






Stainless Steel Pump Not Included

| Item No. | Description |
|----------|---------------------------------------|
| 35005 | LDPE Replacement Stem, 3.03 in, 25/Pk |
| 35772 | PFA Replacement Stem, 2.08 in, 10/Pk |




durAstatic® Dispensers



Custom Printing Available!

-  Static dissipative durAstatic® bottles protect valuable static sensitive printed circuitry
 - No migratory additives
 - 4 oz, 6 oz, and 8 oz bottle sizes available
 - 6 oz bottles are embossed with graduated markings
 - Available with Flux Remover or NFPA Hazard Diamond print
-  Embossed with ESD Protective Symbol
 - Highly visible bottle colors
-  Add an ESD Vinyl Hang Tag for additional labeling

| Item No. | Description | Color |
|----------|--------------------------------------|--------|
| 35259 | One-Touch, Blank Diamond Print, 6 oz | Blue |
| 35271 | One-Touch, Acetone Print, 6 oz | Orange |
| 35274 | One-Touch, Acetone Print, 6 oz | Green |
| 35277 | One-Touch, Acetone Print, 6 oz | Yellow |
| 35298 | One-Touch, Acetone Print, 6 oz | Blue |
| 35288 | One-Touch, Acetone Print, 8 oz | Blue |
| 35272 | One-Touch, IPA Print, 6 oz | Orange |
| 35275 | One-Touch, IPA Print, 6 oz | Green |
| 35278 | One-Touch, IPA Print, 6 oz | Yellow |
| 35299 | One-Touch, IPA Print, 6 oz | Blue |
| 35289 | One-Touch, IPA Print, 8 oz | Blue |



| Item No. | Description | Color |
|----------|------------------|--|
| 35267 | Pure-Touch, 6 oz | Yellow |
| 35268 | Pure-Take, 6 oz | Yellow  |
| 35270 | One-Touch, 6 oz | Orange |
| 35273 | One-Touch, 6 oz | Green |
| 35276 | One-Touch, 6 oz | Yellow |
| 35282 | One-Touch, 4 oz | Blue |
| 35283 | One-Touch, 6 oz | Blue |
| 35284 | One-Touch, 8 oz | Blue |
| 35285 | Pure-Touch, 6 oz | Blue |
| 35286 | Pure-Take, 6 oz | Blue  |
| 35287 | Take-Along, 6 oz | Blue  |

| Item No. | Description | Color |
|----------|-------------------------------------|--------|
| 35594 | One-Touch, Flux Remover Print, 6 oz | Blue |
| 35595 | One-Touch, Flux Remover Print, 6 oz | Yellow |
| 35596 | One-Touch, Flux Remover Print, 6 oz | Green |
| 35597 | One-Touch, Flux Remover Print, 6 oz | Orange |

Hazard Communication Safety (HCS) Dispensers and Bottles



Custom Printing Available!

-  Static dissipative durAstatic® bottles protect valuable static sensitive printed circuitry
 - GHS Labels compliant with June 2015 OSHA Hazard Communication Safety Standards
 - Printed with Right-to-Know (RTK) labels
 - 6 oz HDPE bottle, no migratory additives
-  Add an ESD Vinyl Hang Tag for additional labeling

| Item No. | Description | Color |
|----------|--------------------------------|--------|
| 35249 | One-Touch, IPA Print, 6 oz | Yellow |
| 35252 | One-Touch, IPA Print, 6 oz | Orange |
| 35253 | One-Touch, IPA Print, 6 oz | Green |
| 35735 | One-Touch, IPA Print, 6 oz | Blue |
| 35745 | Pure-Touch, IPA Print, 6 oz | Blue |
| 35760 | One-Touch, Toluene Print, 6 oz | Blue |

| Item No. | Description | Color |
|----------|----------------------------------|--------|
| 35254 | One-Touch, Acetone Print, 6 oz | Yellow |
| 35257 | One-Touch, Acetone Print, 6 oz | Orange |
| 35258 | One-Touch, Acetone Print, 6 oz | Green |
| 35730 | One-Touch, Acetone Print, 6 oz | Blue |
| 35731 | Bottle Only, Acetone Print, 6 oz | Blue |
| 35732 | Bottle Only, Acetone Print, 6 oz | Green |
| 35733 | Bottle Only, Acetone Print, 6 oz | Yellow |
| 35734 | Bottle Only, Acetone Print, 6 oz | Orange |




| Item No. | Description | Color |
|----------|----------------------------------|--------|
| 35736 | Bottle Only, IPA Print, 6 oz | Blue |
| 35737 | Bottle Only, IPA Print, 6 oz | Green |
| 35738 | Bottle Only, IPA Print, 6 oz | Yellow |
| 35739 | Bottle Only, IPA Print, 6 oz | Orange |
| 35761 | Bottle Only, Toluene Print, 6 oz | Blue |
| 35762 | Bottle Only, Toluene Print, 6 oz | Yellow |
| 35763 | Bottle Only, Toluene Print, 6 oz | Orange |
| 35764 | Bottle Only, Toluene Print, 6 oz | Green |

LIQUID DISPENSERS

ESD Flux Dispensers



Custom Printing Available!

-  Static dissipative LDPE durAstatic® bottles protect valuable static sensitive printed circuitry
-  ESD properties embedded into the bottle and conductive cap
-  Embossed with ESD symbol
 - 2 oz bottle capacity
 - 3 different needle tip sizes: 18, 20, 26 GA
 - No migratory additives




| Item No. | Description | Color |
|----------|-----------------------|-------|
| 35563 | Flux Dispenser, 26 GA | Blue |
| 35564 | Flux Dispenser, 20 GA | Blue |
| 35565 | Flux Dispenser, 18 GA | Blue |
| 35566 | Flux Dispenser, 16 GA | Blue |

| Item No. | Description | Color |
|----------|--------------------------------------|--------|
| 35571 | Flux Dispenser, 26 GA | Yellow |
| 35572 | Flux Dispenser, 20 GA | Yellow |
| 35573 | Flux Dispenser, 18 GA | Yellow |
| 35574 | Flux Dispenser, 16 GA | Yellow |
| 35598 | Flux Dispenser, 3-Needle | Blue |
| 35599 | Flux Dispenser, 3-Needle | Yellow |
| 35610 | Flux Dispenser, 3-Needle, Flux Print | Blue |
| 35611 | Flux Dispenser, 3-Needle, Flux Print | Yellow |
| 35567 | Replacement Needles, 26 GA, 50/PK | |
| 35568 | Replacement Needles, 20 GA, 50/PK | |
| 35569 | Replacement Needles, 18 GA, 50/PK | |
| 35570 | Replacement Needles, 16 GA, 50/PK | |

durAstatic® Cone Top Bottles



Custom Printing Available!




-  Provide controlled delivery of solvents cleaners, water, or other compatible liquids at the ESD workstation
-  Long lasting dissipative properties including Cone Top embedded into the bottle
 - Embossed with ESD protective symbol
-  Available in 8 or 16 oz bottles
 - No migratory additives

| Item No. | Description | Color |
|----------|------------------------|--------|
| 35756 | Cone Top Bottle, 8 oz | Yellow |
| 35757 | Cone Top Bottle, 8 oz | Blue |
| 35758 | Cone Top Bottle, 16 oz | Yellow |
| 35759 | Cone Top Bottle, 16 oz | Blue |

durAstatic® Trigger Spray Bottles



Custom Printing Available!




-  Provide controlled delivery of solvents cleaners, water, and oils at the ESD workstation
-  Long lasting dissipative properties with insulative spray head
-  Embossed with ESD protective symbol
 - Available in 8 or 16 oz bottles
 - No migratory additives

| Item No. | Description | Color |
|----------|-----------------------------|--------|
| 35796 | Trigger Spray Bottle, 8 oz | Yellow |
| 35797 | Trigger Spray Bottle, 8 oz | Blue |
| 35798 | Trigger Spray Bottle, 16 oz | Yellow |
| 35799 | Trigger Spray Bottle, 16 oz | Blue |

durAstatic® Wash Bottles



Custom Printing Available!

-  Provide controlled delivery of solvents at the ESD workstation
-  Long lasting dissipative properties embedded into the bottle
-  Embossed with ESD protective symbol
 - Available in 8 or 16 oz bottles - printed or non-printed options
 - No migratory additives

| Item No. | Description | Color |
|----------|------------------------------------|--------|
| 35790 | Wash Bottle, 8 oz | Yellow |
| 35791 | Wash Bottle, DI Water Print, 8 oz | Yellow |
| 35792 | Wash Bottle, IPA Print, 8 oz | Yellow |
| 35793 | Wash Bottle, 16 oz | Yellow |
| 35794 | Wash Bottle, DI Water Print, 16 oz | Yellow |
| 35795 | Wash Bottle, IPA Print, 16 oz | Yellow |

Conductive ESD Brushes

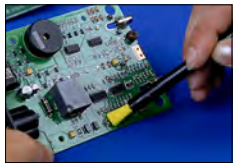
- ⚠️ ESD Brushes are ideal for removing dust, dirt and foreign object debris from printed circuit boards (PCB) and other static sensitive components
- ⚠️ Conductive carbon loaded polypropylene black handles and stainless-steel handles remove charges to ground when held by grounded personnel
- ⚠️ Bristles are a mix of conductive synthetic yarn and various natural fibers



| Item No. | Description |
|----------|--|
| 35690 | Round, Polypropylene Handle, Firm Bristles, 1/4 in |
| 35691 | Long, Polypropylene Handle, Firm Bristles, 1-3/16 in |
| 35692 | Long, Polypropylene Handle, Firm Bristles, 2-3/8 in |
| 35693 | Flat, Polypropylene Handle, Firm Bristles, 2 in |
| 35694 | Flat, Polypropylene Handle, Semi-Fine Bristles, 1/2 in |
| 35695 | Curved, Polypropylene Handle, Firm Bristles, 3 in x 1-1/2 in |
| 35696 | Curved Handle, Polypropylene Handle, Firm Bristles, 1/2 in |
| 35699 | Double-Sided, Steel Handle, Firm Bristles, 1/2 in |
| 36086 | Flat, Polypropylene Handle, Firm Bristles, 3/4 in |
| 36087 | Flat, Polypropylene Handle, Firm Bristles, 1 in |
| 36089 | Round, Steel Handle, Firm Bristles, 1/8 in |
| 36092 | Flat, Polypropylene Handle, Soft Bristles, 2 in |
| 36098 | Round, Polypropylene Handle, Soft Bristles, 1/4 in |

Dissipative ESD Brushes

- ⚠️ ESD Brushes are ideal for removing dust, dirt and foreign object debris from printed circuit boards (PCB) and other static sensitive components
- ⚠️ Conductive carbon loaded polypropylene or stainless-steel handle
- ⚠️ Permanently static dissipative bristles made of highly visible yellow nylon 6.12 filament
 - Handle hot stamped with ESD protective symbol
 - Highly resilient, durable and abrasion resistant



| Item No. | Description |
|----------|---|
| 35686 | Flat, Polypropylene Handle, Hard Bristles, 1 in |
| 35687 | Flat, Polypropylene Handle, Hard Bristles, 2 in |
| 35688 | Long, Polypropylene Handle, Hard Bristles, 1-3/16 in |
| 35689 | Curved Handle, Polypropylene Handle, Hard Bristles, 3 in x 1-1/2 in |
| 35697 | Round, Polypropylene Handle, Medium Bristles, 1/4 in |
| 35698 | Double-Sided, Steel Handle, Hard Bristles, 1/2 in |
| 36093 | Flat, Polypropylene Handle, Hard Bristles, 1/2 in |
| 36094 | Flat, Polypropylene Handle, Hard Bristles, 3/4 in |
| 36095 | Flat, Polypropylene Handle, 1-1/2 in |
| 36096 | Round, Steel Handle, 1/8 in |
| 36097 | Long, Polypropylene Handle, 2-3/8 in x 6 in |



ESD Protective Thermal Insulated Drinking Cup

Replacement for static generating cups or bottles on the workstation

- ⚠️ ESD Protective - Low charging
- ⚠️ Electrostatic charges removed to ground when picked up by a grounded operator or placed on a grounded surface
 - Thermal Insulated Drinking Cup - Perfect for hot or cold drinks
 - Hand wash only

Custom Printing Available!

| Item No. | Description |
|----------|--------------------------------------|
| 35890 | Drinking Cup, Stainless Steel, 16 oz |

Reztore® ESD Lotion

- ⚠️ Special dissipative ESD formulation for the electronic manufacturing environment
 - Silicone free and non-contaminating
 - Moisturizing and contains vitamin A, vitamin D, and aloe vera
 - Available in a light peach scent and unscented

| Item No. | Description |
|----------|---------------------------------------|
| 35659 | Lotion, Clean, Unscented, 8 oz, 12/PK |
| 35660 | Lotion, Peach Scented, 8 oz, 12/PK |
| 35661 | Lotion, Peach Scented, 32 oz |
| 35667 | Lotion, Clean, Unscented, 32 oz |



Wire Harness Threader

- Used to thread wires through tied harness assemblies
- 300 series stainless steel construction
- Bright orange PVC cover for anti-slip grip

| Item No. | Description |
|----------|---------------------------------|
| 35250 | Wire Threader For Cable Harness |



Sleeve Cutter

- Adjustable stop: Allows cutting of sleeving to specified lengths
- Ruler on side: Helps to gauge cut length

| Item No. | Description |
|----------|----------------------------|
| 35175 | Sleeve Cutter |
| 35177 | Replacement Blades, 100/PK |



WORKBENCH TOOLS & ACCESSORIES

Screw-O-Saurus Pliers



- Multi-purpose screw remover for round, truss and pan head screws
- Vertical and horizontal serrations grasp screw head with no slip
- Removes rusted, stripped or stuck screws
- Wire cutter with spring loaded handle
- Cushioned grip



| Item No. | Description |
|----------|-----------------------|
| 35996 | Screw-O-Saurus Pliers |

TRONEX Wire Strippers

- Automatically strips wires with adjustable cutting length
- Built-in side cutter for trimming
- Easy blade replacement



| Item No. | Description |
|----------|---------------------------------------|
| STRP30 | Automatic Wire Stripper |
| STRP30B | NEW! STRP30 Replacement Blades |
| STRP5 | Automatic Pistol Grip Wire Stripper |
| STRP5B | NEW! STRP5 Replacement Blades |



Extract-O-Saurus Pin Extractor



- ⚠ Low charging
- Remove plastic stops, pins, and end plugs from integrated circuit shipping tubes
- Spring loaded to open
- Place the nipper over the end of the end plug or pin, snap shut and pull out the stopper

| Item No. | Description |
|----------|--------------------------------|
| 35180 | Extract-O-Saurus Pin Extractor |

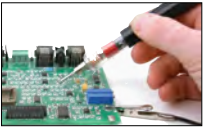
Small Nut Starter

- 4-way small nut starter tool
- Holds nut sizes Regular No. 2 through Small No. 6
- Helps to hold and install small mounting hardware
- Material: LDPE



| Item No. | Description |
|----------|-------------------------|
| 35120 | Small Nut Starter, 4 in |

Circuitracer™ Continuity Testers



- Allow operators to test for continuity, shorts, grounds or the presence of voltage
- Illuminated lamp confirms electrical circuit continuity
- Powered by 2 AAA batteries
- Use on the assembly line or in the field

| Item No. | Description |
|----------|---|
| 35100 | 3-in-1, Continuity/Voltage Tester, 1-10 Ohms, 0-60 volts, 60-600 volts w/ Lamp* |
| 35121 | Replacement Lamp, 3 Volt TL3 Base |
| 35130 | Continuity only w/ Lamp, 0-10 Ohms |
| 35135 | Audible Continuity Tester, 0-50 Ohms |

*Batteries Not Included

Modular Cable Cover

- Manage your cables and protect large cables from wear
- Prevent trip hazards
- Durable woven material
- Zip two covers together for wider cable sets



| Item No. | Description |
|----------|----------------------------|
| 35657 | Modular Cable Cover, 54 in |

Non-Marring Probes & Spudgers

TOP SELLER! 35622 NYLON PROBE

- ⚠ Can be used in ESD protected areas
- Nylon and wood materials will not mar delicate surfaces
- Ideal for opening plastic cases such as MP3 players, cell phones, laptops and more
- Temperature resistant

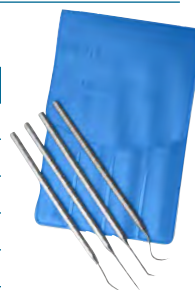


| Item No. | Description |
|----------|--|
| 35616 | Birchwood Probe, "Orangestick", 7in 100/Pk |
| 35618 | Nylon Probe, Point- Screwdriver, 7 in |
| 35619 | Nylon Probe, Fork-Blade, 7 in |
| 35621 | Nylon Probe, Spudger, 5-1/2 in |
| 35622 | Nylon Probe, Point-Blade, 6 in |

Stainless Steel Probes

- ⚠ ESD Protective: Any charge can be grounded when placed on ESD protected work surface
- Non-magnetic, conductive 300 series stainless steel
- Ergonomic hex handle

| Item No. | Description |
|----------|--------------------------------|
| 35122 | Steel Probe, Straight 5-1/2 in |
| 35123 | Steel Probe, Hook 5-1/2 in |
| 35617 | Steel Probe, Angle 5-1/2 in |
| 35623 | Steel Probe, Curved 5-1/2 in |
| 35630 | Steel Probe Kit, Four Tools |



Low-Charging Cable Straps

- ⚠ Low-charging hook and loop material meets ANSI/ESD S20.20*
- D-Ring fastening is ideal for bundling trays and IC tubes
- Adjustable, releasable and reusable
- Operating Temperature: 300°F max
- Melting Temperature: 459°F




*Straps should be tested regularly to make sure they retain their ESD properties

| Item No. | Description |
|----------|--|
| 35653 | Low-Charging Cable Strap, 3/4 in x 18 in |
| 35654 | Low-Charging Cable Strap, 3/4 in x 20 in |
| 35655 | Low-Charging Cable Strap, 3/4 in x 24 in |
| 35656 | Low-Charging Cable Strap, 3/4 in x 30 in |

Static Dissipative Vinyl Tool Roll-Up Pouch



Tools Not Included



-  Durable, blue dissipative vinyl construction
- For organizing and issuing tools to operators
- Store up to 18 tools
- Unrolled Dimensions: 20" x 12.5"

| Item No. | Description |
|----------|---------------------------------------|
| 35981 | Static Dissipative Tool Roll-Up Pouch |

ESD durAstatic® Tool Box



Tools Not Included


-  Static dissipative durAstatic® material protects valuable static sensitive components
-  Embedded ESD properties - no surface coating
- Size: 14.5" x 7.5" x 5"
- Washable polypropylene material
- Includes inner lift-out tray

| Item No. | Description |
|----------|---|
| 35870 | Tool Box, Dissipative, Yellow durAstatic® |

Workstation Organizers



Tools Not Included

-  Made from an extruded conductive polypropylene Plastek™ material
- Standardize any ESD workstation
- Chemical and moisture resistant
- Economical alternative to injection molded products

| Item No. | Description |
|----------|--|
| 35873 | Assembly Workstation Organizer, Box Only |
| 35874 | Workstation Organizer, 6 Cells, Box Only |
| 35878 | Workstation Organizer, Mini, Box Only |

Custom Configurations Available!




35874



35878

C-Type & D-Sub Connector Covers

-  Conductive and ideal for clean applications
- Free of carbon black particulate
- Noncorrosive - tested to Federal Test Method 101C using Kovar test plates
- Composite material provides a snug, secure fit



Circular Connector Covers
Mil-Spec M5501/31A
(Formerly 4270 Series)



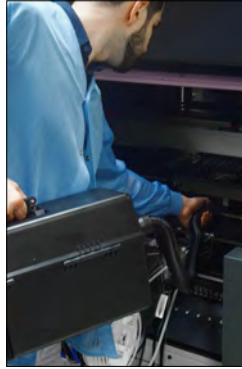
D-Sub Connector Covers
Mil-Spec M5501/32A
(Formerly 4272 Series)

| Item No. | Description |
|----------|-------------------------|
| 35780 | D-Sub, 32A-15P, 1000/CS |
| 35781 | D-Sub, 32A-15S, 1000/CS |
| 35782 | D-Sub, 32A-25P, 1000/CS |
| 35783 | D-Sub, 32A-25S, 1000/CS |
| 35784 | D-Sub, 32A-37P, 1000/CS |
| 35785 | D-Sub, 32A-37S, 1000/CS |
| 35786 | D-Sub, 32A-50P, 1000/CS |
| 35787 | D-Sub, 32A-50S, 1000/CS |
| 35788 | D-Sub, 32A-9P, 1000/CS |
| 35789 | D-Sub, 32A-9S, 1000/CS |


| Item No. | Description | Item No. | Description |
|----------|-----------------------------|----------|----------------------------|
| 34205 | Circular, 31A-605, 1000/CS | 34220 | Circular, 31A-1463, 500/CS |
| 34206 | Circular, 31A-530, 1000/CS | 34221 | Circular, 31A-1390, 500/CS |
| 34207 | Circular, 31A-720, 1000/CS | 34222 | Circular, 31A-1540, 500/CS |
| 34208 | Circular, 31A-655, 1000/CS | 34223 | Circular, 31A-1715, 500/CS |
| 34209 | Circular, 31A-850, 1000/CS | 34224 | Circular, 31A-1645, 500/CS |
| 34210 | Circular, 31A-785, 1000/CS | 34225 | Circular, 31A-1965, 250/CS |
| 34211 | Circular, 31A-973, 1000/CS | 34226 | Circular, 31A-1890, 250/CS |
| 34212 | Circular, 31A-893, 1000/CS | 34227 | Circular, 31A-2215, 250/CS |
| 34213 | Circular, 31A-1093, 1000/CS | 34228 | Circular, 31A-2140, 250/CS |
| 34214 | Circular, 31A-1028, 1000/CS | 34229 | Circular, 31A-250, 1000/CS |
| 34215 | Circular, 31A-1125, 1000/CS | 34230 | Circular, 31A-313, 1000/CS |
| 34216 | Circular, 31A-1231, 500/CS | 34231 | Circular, 31A-375, 1000/CS |
| 34217 | Circular, 31A-1150, 500/CS | 34232 | Circular, 31A-480, 1000/CS |
| 34218 | Circular, 31A-1340, 500/CS | 34233 | Circular, 31A-413, 1000/CS |
| 34219 | Circular, 31A-1270, 500/CS | 34234 | Circular, 31A-500, 1000/CS |

VACUUMS & FUME EXTRACTORS

ESD Service Vacuum



Portable & Lightweight for High-Efficiency Clean Up


-  ESD-safe self-contained unit designed for high-efficiency cleanup
- Ideal for removing toner and dust or cleaning data processing equipment
- Portable, quick setup
- Detachable power cord for easy storage
- Suction: 51"/H2O
- Weight: 11 lbs
- Dimensions: 17.8" x 7.8" x 9.3"

| Item No. | Description |
|----------|--|
| 35867 | ESD Service Vacuum, 120VAC, Complete System |
| 35868 | ESD Service Vacuum, 220VAC, Complete System* |
| 35822 | Filter, Type 2, For Toner And Dust |
| 35823 | Filter, Type 1, Fine Particles |
| 35824 | Carrying Strap |
| 35825 | Hose Assembly |
| 35826 | Crevice Nozzle Attachment |
| 35827 | Crevice Brush Attachment |
| 35828 | Bent Wand Assembly |
| 35829 | Needle Nose Nozzle Attachment |
| 35830 | Dusting Brush Attachment |
| 35869 | Power Cord, 8 ft, US Plug |

*Power Cord Not Included

ESD Blow Vac





-  Dissipative housing and attachments
- Dual function blower and vacuum
- Durable compact design
- Advanced 5-Stage filtration system with particle retention down to 0.3 micron
- UL Listed
- Dimensions: 12.5" x 5" x 7.5"
- Weight: 4.8 lbs
- Suction: 80 W.G.

| Item No. | Description |
|----------|---|
| 35840 | Blow Vac, Complete System, 120VAC |
| 35841 | Blow Vac, Complete System With Adjustable Air Flow, 120VAC |
| 35843 | Blow Vac, Complete System With Adjustable Air Flow, 230VAC* |
| 35834 | Stretch Hose, 4 ft |
| 35835 | Mini Attachment Set (7 pieces) |
| 35836 | Two-Part Blower Assembly |
| 35837 | Micromotor Filter, HEPA |
| 35838 | Micromotor Filter, Standard |
| 35839 | Filter Bag, 10/PK |

*Power Cord Not Included


HEPA Vac

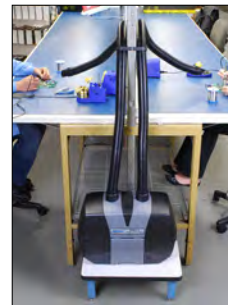


-  ESD protected vacuum for cleaning debris from surface mount, pick and place, board routers, handlers and other equipment in your ESD protective areas
-  Complete system includes ESD protected utensils: hose, gooseneck, crevice tool, crevice attachment brush, round brush
- 99.97% efficient at 0.3 micron HEPA filtration
- Great for field service applications
- Lead-free RoHS compliant
- Suction: 56"/H2O
- Weight: 4 Pounds
- Size: 12" x 5.25" x 7"
- Energy Consumption: 600 Watt

| Item No. | Description |
|----------|--|
| 35852 | High Performance HEPA Vac, Complete System 120VAC |
| 35857 | High Performance HEPA Vac, Complete System With Case & Filter, 120 VAC |
| 35855 | Replacement Filter |

Series II Fume Extractor, 120VAC

-  ESD-safe housing
- Two-arm filtration system that combines powerful fan performance with efficient filtration
- Portable and compact design
- For extraction of fumes, particles and vapors
- Audible alarm informs operators when filters need replacing
- Easy access on/off remote switch
- Connects to 50mm (2") or 63mm (2.5") hoses or exhaust arms
- Construction: Plastic
- Main filter efficiency: 95% at 0.3 micron
- Dimensions: 20" x 15-5/16" x 10"
- Weight: 20 lbs (9kg)
- CFM: 90
- Noise level: < 55 dbA
- Maximum operators: 2



Placed Under or Next to the Bench-Top

| Item No. | Description |
|----------|--|
| 35470 | Series II Fume Extractor, Complete System, Plastic, 120V |
| 35471 | Pre-Filters, 5/PK |
| 35472 | Main Filter, "HEPA" |
| 35473 | Deep Bed, Gas Filter |
| 35474 | Main Filter, "Non-HEPA" |
| 35475 | 2-1/2 ft Arm With 6 ft Hose & Bracket |
| 35476 | Arm With Bracket & Clamps |
| 35477 | Flexible Exhaust Arm, 2-1/2 ft |
| 35478 | Flexible Exhaust Arm, 5 ft |
| 35479 | Table Bracket & Clamps |
| 35480 | Connect Hose, 6 ft Long, 2 in Dia. |
| 35481 | Connect Hose, 12 ft Long, 2-1/2 in Dia. |
| 35482 | Remote Power Switch |

ESD Bottle Hang Tags



- ⚠ Made of custom dissipative vinyl
- For additional ESD labeling
- 2-1/4" x 2-1/4" (Insert Size) inside pouch prevents the label from getting wet
- Includes inner anti-print, non-ESD vinyl liner
- Can fit a folded 8.5" x 11" paper

| Item No. | Description |
|----------|--|
| 35393 | ESD Bottle Hang Tag, Pre-Punched Hole, 10/Pk |
| 35394 | ESD Bottle Hang Tag, w/o Hole, 10/Pk |

ESD Vinyl Tool Pouch with Zipper



- ⚠ 9" x 6" Dissipative tool pouch
- Recloseable zipper
- Ideal for use by engineers, production workers, field service engineers, etc.

| Item No. | Description |
|----------|------------------------------------|
| 34458 | ESD Pouch with Zipper, 9 in x 6 in |

ESD Shop Travelers



- ⚠ Dissipative vinyl
- 1 x 10⁴ to < 1 x 10¹¹ ohms, per ANSI/ESD STM11.11
- Ideal for use by electronic manufacturers who work with ESD sensitive components
- Designed to hold standard "A" size 8-1/2" x 11" documents
- Includes reinforced metal hang hole
- Outer Dimensions: 10" x 12"

| Item No. | Description |
|----------|---------------------------------------|
| 34451 | Solid Light Blue Backing, 10/Pk |
| 34453 | Light Blue Backing with Zipper, 10/Pk |
| 34454 | Red Header with Zipper, 10/Pk |
| 34455 | Blue Header with Zipper, 10/Pk |
| 34456 | Green Header with Zipper, 10/Pk |
| 34457 | Yellow Header with Zipper, 10/Pk |

ESD Badge Holders

- ⚠ Made with a custom dissipative material exclusively for Desco Industries
- Highly visible with yellow header and ESD Protective Symbol
- Horizontal and vertical orientations available



| Item No. | Description |
|----------|---|
| 35009 | Clip-On, Vertical, 2-1/8 in x 3-3/8 in (IS) |
| 35010 | Clip-On, Vertical, 2-3/8 in x 3 in (IS) |
| 35011 | Clip-On, Horizontal, 3-5/8 in x 1-7/8 in (IS) |
| 35012 | Clip-On, Horizontal, 3-7/8 in x 2-1/8 in (IS) |
| 35013 | Clip-On, Horizontal, 4 in x 2-5/8 in (IS) |
| 35014 | Proximity, Vertical, 2-1/8 in x 3-3/8 in (IS) |
| 35015 | Proximity, Horizontal, 3-5/8 in x 2-3/8 in (IS) |
| 35016 | Zipper, Vertical, 2-3/8 in x 3-3/8 in (IS) |
| 35017 | Zipper, Horizontal, 3-3/8 in x 2-3/8 in (IS) |

Custom Sizes Available

ESD Arm Badge Holder

- ⚠ Made with a custom dissipative material exclusively for Desco Industries
- Ideal for active personnel
- Adjustable black elastic band
- Reduce risk of entanglement



| Item No. | Description |
|----------|--|
| 35193 | Arm Badge, 2-3/8 in x 3-3/8 in (IS), Clear |

ESD Dissipative Strap Clips

- ⚠ Dissipative vinyl strap clips
- Rust-resistant nickel-plated steel clip
- ESD protective symbol print
- Strap clip with Safety Pin option



| Item No. | Description |
|----------|--|
| 34431 | ESD Dissipative Strap Clip, 2-7/8 in |
| 34432 | ESD Dissipative Strap Clip, 3-1/2 in |
| 34433 | ESD Dissipative Strap Clip with Safety Pin, 2-7/8 in |

ESD Breakaway Vinyl Lanyard

- ⚠ Dissipative breakaway lanyard for short term use
- Lanyard: 1/8" wide
- Soft, frosty clear vinyl presents a low profile that doesn't compete with clothing
- Breakaway snap closure



| Item No. | Description |
|----------|--|
| 35067 | Breakaway Lanyard Strap, ESD Safe, 27 in |
| 35108 | NEW! Breakaway Lanyard Strap, ESD Safe, 37 in |



DESOLDERING BRAID


EasyBraid Desoldering Braid

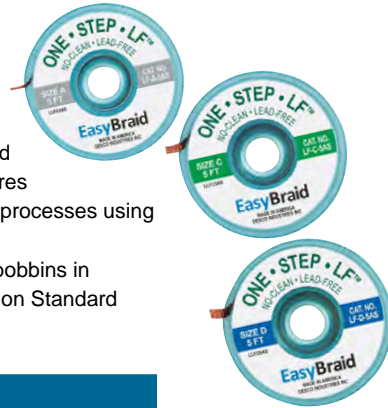
- Used in the rework and repair of printed circuit boards, computers, cell phones, or other electronics
- Easily remove solder from components or pads on a circuit board
- Concentrated fine copper braiding uses less length of wick for each desoldering application
- Made of clean, oxide-free copper wire and tight weave enables quick “on and off” desoldering

Part Numbering (Example)

| | Q | A | 10AS |
|------------------------|--------------|------------------|------|
| Type | Width | Length | |
| Q - Quick Braid | A - 0.025 in | 5 ft only on AS | |
| OS - One Step | B - 0.050 in | 10 ft only on AS | |
| S - Sea Braid Unfluxed | C - 0.075 in | 25 ft | |
| LF - Lead Free | D - 0.100 in | 50 ft | |
| | E - 0.125 in | 100 ft | |

Lead Free


- Formulated with a flux designed for higher activation temperatures
- To be used in conjunction with processes using RMA type no-clean fluxes
-  Available on static dissipative bobbins in compliance with ESD Association Standard

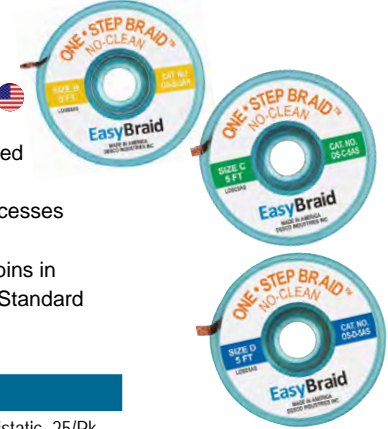


| Item No. | Description |
|----------|---|
| LF-A-5AS | Lead Free, 0.025 in x 5 ft, Antistatic, 25/Pk |
| LF-B-5AS | Lead Free, 0.050 in x 5 ft, Antistatic, 25/Pk |
| LF-C-5AS | Lead Free, 0.075 in x 5 ft, Antistatic, 25/Pk |
| LF-D-5AS | Lead Free, 0.100 in x 5 ft, Antistatic, 25/Pk |
| LF-E-5AS | Lead Free, 0.125 in x 5 ft, Antistatic, 25/Pk |

Available in 10 ft, 25 ft
Complete product listing available at MENDATools.com

One Step No Clean


- Flux residue on board does not need to be cleaned
- To be used in conjunction with processes using RMA type no-clean fluxes
-  Available on static dissipative bobbins in compliance with ESD Association Standard

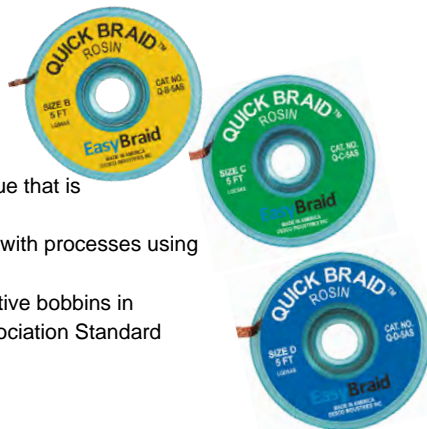


| Item No. | Description |
|----------|--|
| OS-A-5AS | One Step, 0.025 in x 5 ft, Antistatic, 25/Pk |
| OS-B-5AS | One Step, 0.050 in x 5 ft, Antistatic, 25/Pk |
| OS-C-5AS | One Step, 0.075 in x 5 ft, Antistatic, 25/Pk |
| OS-D-5AS | One Step, 0.100 in x 5 ft, Antistatic, 25/Pk |
| OS-E-5AS | One Step, 0.125 in x 5 ft, Antistatic, 25/Pk |

Available in 10 ft, 25 ft, 100 ft
Complete product listing available at MENDATools.com

Quick Braid


- Designed to leave a residue that is environmentally safe
- To be used in conjunction with processes using R/RA type rosin fluxes
-  Available on static dissipative bobbins in compliance with ESD Association Standard

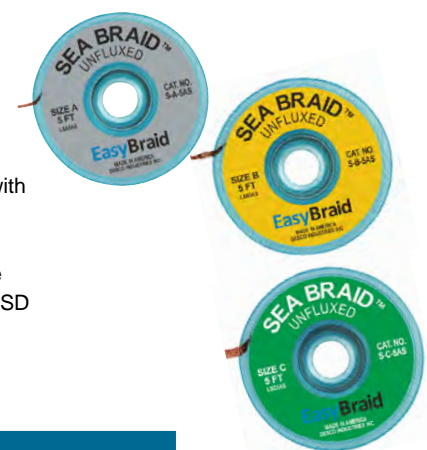


| Item No. | Description |
|----------|---|
| Q-A-5AS | Quick Braid, 0.025 in x 5 ft, Antistatic, 25/Pk |
| Q-B-5AS | Quick Braid, 0.050 in x 5 ft, Antistatic, 25/Pk |
| Q-C-5AS | Quick Braid, 0.075 in x 5 ft, Antistatic, 25/Pk |
| Q-D-5AS | Quick Braid, 0.100 in x 5 ft, Antistatic, 25/Pk |
| Q-E-5AS | Quick Braid, 0.125 in x 5 ft, Antistatic, 25/Pk |

Available in 10 ft, 25 ft, 100 ft
Complete product listing available at MENDATools.com

Sea Braid

- Can be used in conjunction with any flux to fit your process
- Coated to prevent oxidation
-  Available on static dissipative bobbins in compliance with ESD Association Standard



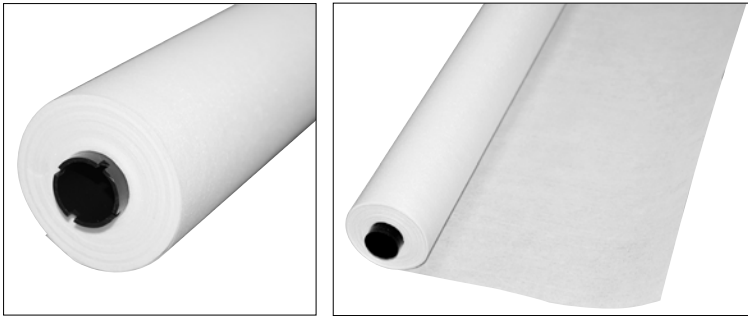
| Item No. | Description |
|----------|---|
| S-A-5AS | Sea Braid, 0.025 in x 5 ft, Antistatic, 25/Pk |
| S-B-5AS | Sea Braid, 0.050 in x 5 ft, Antistatic, 25/Pk |
| S-C-5AS | Sea Braid, 0.075 in x 5 ft, Antistatic, 25/Pk |
| S-D-5AS | Sea Braid, 0.100 in x 5 ft, Antistatic, 25/Pk |
| S-E-5AS | Sea Braid, 0.125 in x 5 ft, Antistatic, 25/Pk |

Available in 10 ft, 25 ft, 100 ft
Complete product listing available at MENDATools.com

STENCIL ROLLS & SOLDER TIP CLEANERS

EasyBraid Stencil Rolls

- Used in SMT (surface mount technology) screen printing lines to keep stencil apertures clear of paste residue during the automatic screen printing process
- Prevents smearing, bridging, solder balls, and other problems associated with the stencil printing of solder paste
- Manufactured from a blend of polyester and cellulose fibers
- More paper per roll resulting in less down time, less changeover time, and less inventory required
- Exceptionally low lint levels
- Solvent resistant material results in increased absorption per square inch



Custom Stencil Rolls Available!

| Item No. | Machine Type | Core Length | Paper Width | Core ID | Core Type | Paper Length |
|-------------|--------------|-------------|-------------|----------|-----------|--------------|
| EB41D2112 | DEK | 20.82 in | 12 in | 0.75 in | Plastic | 39 ft |
| EB41D2116 | DEK | 20.82 in | 15.75 in | 0.75 in | Plastic | 39 ft |
| EB41D2120 | DEK | 20.82 in | 20.25 in | 0.75 in | Plastic | 39 ft |
| EB41D2424 | DEK | 24.37 in | 24.12 in | 0.75 in | Plastic | 39 ft |
| EB41E1616 | EKRA | 15.75 in | 15.75 in | 0.50 in | Paper | 33 ft |
| EB41E2020 | EKRA | 19.75 in | 19.75 in | 0.50 in | Paper | 33 ft |
| EB41E2424 | EKRA | 23.5 in | 23.50 in | 0.50 in | Paper | 33 ft |
| EB41M1812 | MPM | 18 in | 12 in | 0.765 in | Paper | 55 ft |
| EB41M1814 | MPM | 18 in | 14 in | 0.765 in | Paper | 55 ft |
| EB41M1818-1 | MPM | 18 in | 17.50 in | 1.0 in | Paper | 47 ft |
| EB41M1855 | MPM | 18 in | 17.50 in | 0.765 in | Paper | 55 ft |
| EB41M2222 | MPM | 22 in | 21.62 in | 0.765 in | Paper | 55 ft |
| EB41M2424 | MPM | 24 in | 23.62 in | 0.765 in | Paper | 55 ft |
| EB41Y1717 | YAMAHA | 17 in | 17 in | 1 in | Paper | 45 ft |

EasyBraid Stencil Wipes

- Used in the rework and repair cleaning process of SMT screen printing, printed circuit boards, computers, cell phones, or other electronics
- Manufactured from a blend of polyester and cellulose fibers
- Excellent in both wet and dry applications
- Exceptionally low lint levels
- Available in three sizes 4"x4", 9"x9", 12"x12"



| Item No. | Description |
|-----------|--------------------------------------|
| EB41W44 | Stencil Wipes, 4 in x 4 in, 1200/Pk |
| EB41W99 | Stencil Wipes, 9 in x 9 in, 300/Pk |
| EB41W1212 | Stencil Wipes, 12 in x 12 in, 150/Pk |

EasyBraid Replacement Brass Pad

- Removes oxides and excess solder from soldering iron tips to help maintain and prolong tip life
- Soft, coiled brass reduces potential contaminants to the tip
- Compatible with many different soldering workstands
- Lead Free and RoHS Compliant

| Item No. | Description |
|----------|-----------------------|
| EB-BP10 | Replacement Brass Pad |



EasyBraid Solder Sponges

- Soldering iron tips cleaned quickly and efficiently
- Solder sponge or soaker removes oxides and excess solder from soldering iron tips
- Manufactured with natural materials, compressed cellulose
- Available in standard packs of 10



| Item No. | Dimensions | Style | Pack Quantity |
|------------|-----------------|------------|---------------|
| S1525-O-T | 1.5 in x 2.5 in | Hole | 10 pieces |
| S2026-S-T | 2.0 in x 2.6 in | Slits | 10 pieces |
| S2235-O-T | 2.2 in x 3.5 in | Hole | 10 pieces |
| S2432-O-T | 2.4 in x 3.2 in | Hole | 10 pieces |
| S2626-M-T | 2.6 in x 2.6 in | Multi-Hole | 10 pieces |
| S2626-O-T | 2.6 in x 2.6 in | Hole | 10 pieces |
| S2626-P-T | 2.6 in x 2.6 in | Plain | 10 pieces |
| S2626-S-T | 2.6 in x 2.6 in | Slits | 10 piece |
| S2745-S-T | 2.7 in x 4.5 in | Slits | 10 piece |
| S3017-O-T | 3.0 in x 1.7 in | Hole | 10 piece |
| S3020-P-T | 3.0 in x 2.0 in | Plain | 10 piece |
| S3030R-O-T | 3.0 in x 3.0 in | Hole | 10 piece |
| S3219-O-T | 3.2 in x 1.9 in | Hole | 10 piece |
| S4017-O-T | 4.0 in x 1.7 in | Hole | 10 piece |
| S8517-P-T | 8.5 in x 17 in | Sheet | 10 piece |

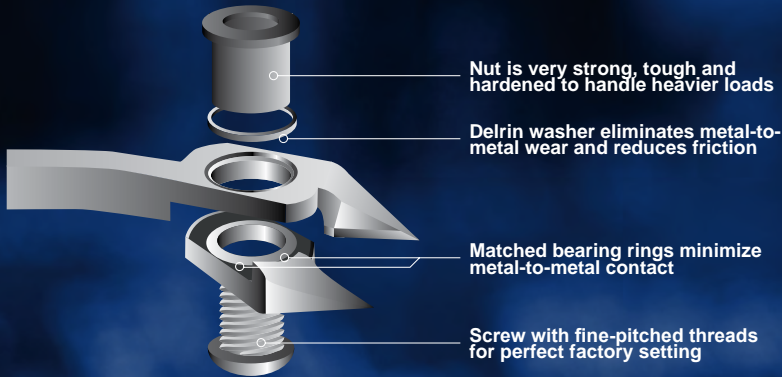
CUTTER FEATURES & OPTIONS

TRONEX CUTTERS

Precision Cutters

Tronex cutters feature a unique, innovative joint designed for smooth function, strength, durability and comfort. No one else makes a joint like Tronex.

- Cuts hundreds of thousands of times before dulling
- Cuts in confined areas
- Cuts wire and leads that are thinner than a human hair
- Cuts extremely flush with no burrs
- Made from high quality US carbon steel
- Stainless steel leaf springs
- ESD Safe Cushion Grips
- Induction hardened cutting edges

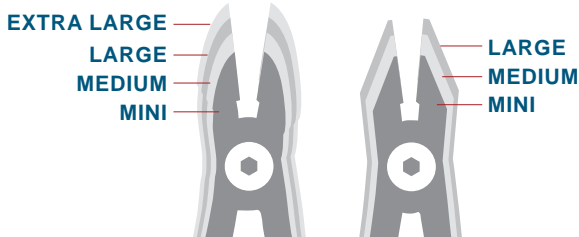


SELECTING A CUTTER

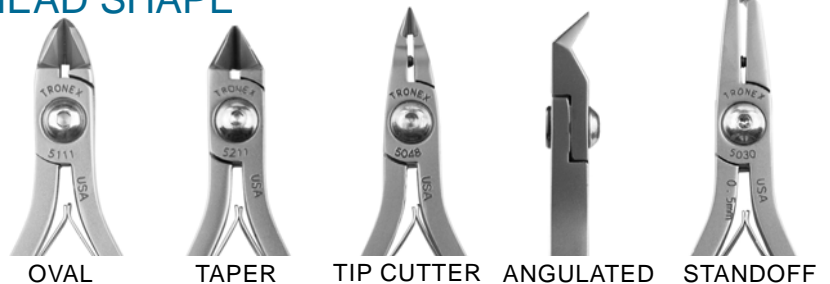
Selecting the right cutter for your specific application is very important. Several things should be considered including:

1. Access to what is being cut (head shape)
2. The material and gauge wire being cut (head size)
3. What kind of a cut is needed (edge finish)
4. What feels most comfortable (grips style and size)

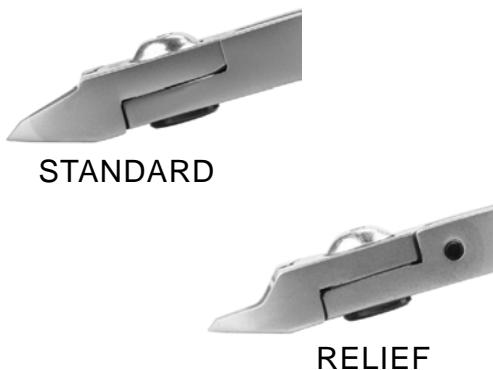
HEAD SIZE



HEAD SHAPE



PROFILE



Cutters with a relieved head have a low-profile allowing additional access into restricted areas. See photos for the difference between a standard cutter and a cutter with a relieved head.

EDGE FINISH



Semi-Flush: Feature a small edge bevel on the cutter and are typically used in an industrial setting to cut thicker wire and leads. Will leave a "pinch" in the middle of the end of material being cut. These cutting edges will be the most durable, the most cost effective, and most resistant to dulling, extending the life of the tool.



Flush: Feature a very thin edge bevel on the cutter that leaves only an exceptionally small "pinch" in the middle of the end of the material being cut. Used in a wide range of electronics manufacturing applications where users are looking for a balance between longevity, precision, and cost.

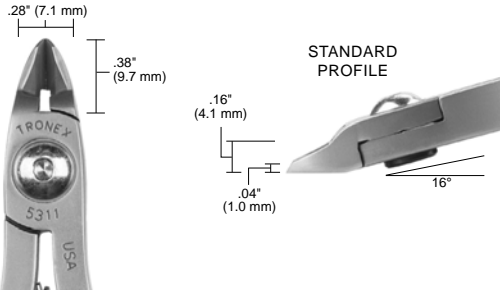


Razor Flush®: Feature no bevel on the cutters resulting in exceptionally sharp edges which produce cuts leaving virtually no raised surface or "pinch". The cutter operates like two razor blades coming together. Typically used when the highest level of precision is required working with small and/or very fine components. Although more frequent sharpening is required with Razor Flush® cutters, each cutter has a fine set screw stop built into the jaw of the cutter to protect the edges.

Oval Head Cutters

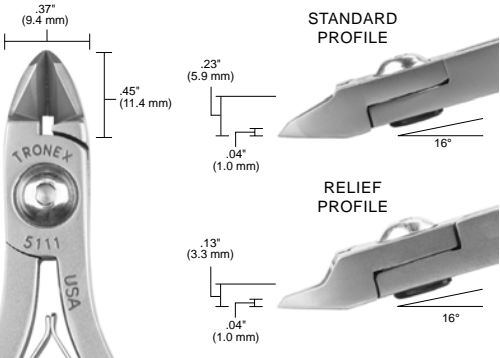
Oval head cutters are excellent general purpose cutters. With additional material in the head, oval head cutters are strong and durable. They are the best option when access is not an issue. Tronex offers a wide variety of oval head sizes and features.

MINI OVAL CUTTERS used for fine cutting work, such as with SMT, or work under a microscope.



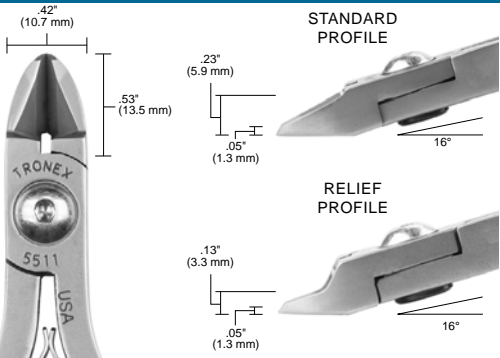
| | SEMI-FLUSH | FLUSH | RAZOR FLUSH® |
|-------------------------------------|--|--|--|
| ITEM NO. | 5311 7311* | 5312 7312* | 5313 7313* |
| PROFILE | STANDARD | STANDARD | STANDARD |
| CUTTING CAPACITY (SOFT COPPER WIRE) | .008 in - .049 in 0.2 mm - 1.25 mm 32 - 16 AWG | .004 in - .049 in 0.1 mm - 1.25 mm 38 - 16 AWG | .004 in - .031 in 0.1 mm - .8 mm 38 - 20 AWG |
| HANDLE LENGTH | STANDARD *LONG ERGONOMIC | STANDARD *LONG ERGONOMIC | STANDARD *LONG ERGONOMIC |
| OAL | 4.5 in / 115 mm *5.5 in / 140 mm | 4.5 in / 115 mm *5.5 in / 140 mm | 4.5 in / 115 mm *5.5 in / 140 mm |

MEDIUM OVAL CUTTERS are extremely popular. Used for general purpose cutting, strong and versatile.



| | SEMI-FLUSH | FLUSH | | RAZOR FLUSH® | |
|-------------------------------------|--|---|---|--|--|
| ITEM NO. | 5111 7111* | 5112 7112* | 5122 7122* | 5113 7113* | 5123 7123* |
| PROFILE | STANDARD | STANDARD | RELIEF | STANDARD | RELIEF |
| CUTTING CAPACITY (SOFT COPPER WIRE) | .008 in - .049 in 0.2 mm - 1.25 mm 32 - 16 AWG | .006 in - .049 in 0.15 mm - 1.25 mm 35 - 16 AWG | .004 in - .047 in 0.1 mm - 1.2 mm 38 - 16 AWG | .004 in - .039 in 0.10 mm - 1 mm 38 - 18 AWG | .004 in - .035 in 0.1 mm - .9 mm 38 - 19 AWG |
| HANDLE LENGTH | STANDARD *LONG ERGONOMIC | STANDARD *LONG ERGONOMIC | | STANDARD *LONG ERGONOMIC | |
| OAL | 4.6 in / 117 mm *5.6 in / 142 mm | 4.6 in / 117 mm *5.6 in / 142 mm | | 4.6 in / 117 mm *5.6 in / 142 mm | |

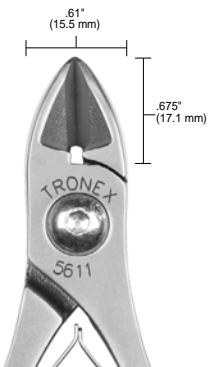
LARGE OVAL CUTTERS have more head material for greater cutting capacity. General purpose.



| | SEMI-FLUSH | FLUSH | | RAZOR FLUSH® | |
|-------------------------------------|---|--|--|---|---|
| ITEM NO. | 5511 7511* | 5512 7512* | 5522 7522* | 5513 7513* | 5523 7523* |
| PROFILE | STANDARD | STANDARD | RELIEF | STANDARD | RELIEF |
| CUTTING CAPACITY (SOFT COPPER WIRE) | .008 in - .059 in 0.2 mm - 1.5 mm 32 - 15 AWG | .006 in - .059 in 0.15 mm - 1.5 mm 35 - 15 AWG | .006 in - .055 in 0.15 mm - 1.4 mm 35 - 15 AWG | .004 in - .051 in 0.1 mm - 1.3 mm 38 - 16 AWG | .004 in - .047 in 0.1 mm - 1.2 mm 38 - 16 AWG |
| HANDLE LENGTH | STANDARD *LONG ERGONOMIC | STANDARD *LONG ERGONOMIC | | STANDARD *LONG ERGONOMIC | |
| OAL | 4.7 in / 119 mm *5.7 in / 144 mm | 4.7 in / 119 mm *5.7 in / 144 mm | | 4.7 in / 119 mm *5.7 in / 144 mm | |

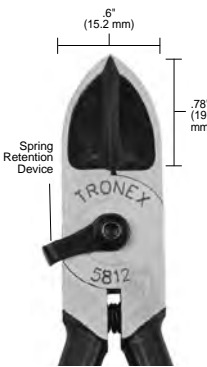
EXTRA LARGE OVAL CUTTERS

HEAVY DUTY CUTTERS



| | SEMI-FLUSH | FLUSH | RAZOR FLUSH® |
|-------------------------------------|---|---|---|
| ITEM NO. | 5611 | 5612 | 5613 |
| PROFILE | STANDARD | STANDARD | STANDARD |
| CUTTING CAPACITY (SOFT COPPER WIRE) | .020 in - .080 in 0.4 mm - 2 mm 26 - 12 AWG | .010 in - .080 in 0.3 mm - 2 mm 29 - 12 AWG | .010 in - .060 in 0.3 mm - 1.6 mm 29 - 14 AWG |
| HANDLE LENGTH | STANDARD | STANDARD | STANDARD |
| OAL | 5.5 in / 140 mm | 5.5 in / 140 mm | 5.5 in / 140 mm |

This cutter has a longer and wider head which permits an expanded cutting capacity. Able to cut confidently through heavy duty wire, our extra large oval is popular for a variety of applications and industries. Available in mid sized handles.



| | SEMI-FLUSH | FLUSH |
|-------------------------------------|---|---|
| ITEM NO. | 5811 7811* | 5812 7812* |
| PROFILE | STANDARD | STANDARD |
| CUTTING CAPACITY (SOFT COPPER WIRE) | .020 in - .080 in 0.4 mm - 2 mm 26 - 12 AWG | .010 in - .080 in 0.3 mm - 2 mm 29 - 12 AWG |
| HANDLE LENGTH | STANDARD *LONG ERGONOMIC | STANDARD *LONG ERGONOMIC |
| OAL | 5.2 in / 132 mm *6.2 in / 156 mm | 5.2 in / 132 mm *6.2 in / 156 mm |

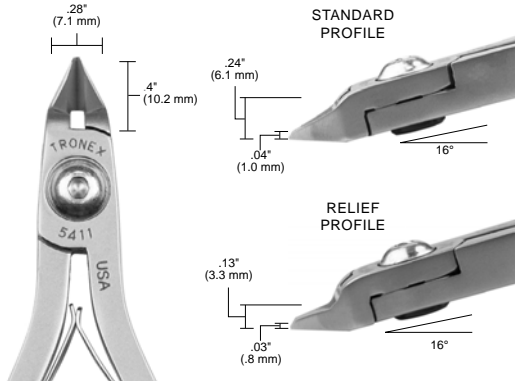
Wire harness making are popular applications for our heavy duty cutters. This cutter, forged of carbon steel, has strength in the head and joint areas needed to cut heavier gauge wire or cable. A jaw restraining device is attached to ensure spring retention.

TAPER CUTTERS

Taper Cutters

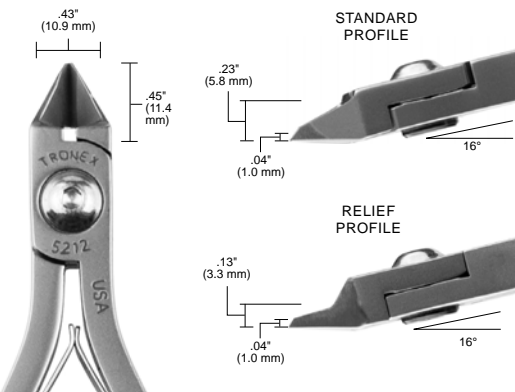
Pointed head allows for increased cutting access yet has sufficient strength to avoid tip breakage when used within its capacity. Most popular cutters.

MINI TAPER CUTTERS are used only for exceptionally fine cutting work when access to the cutting area is difficult.



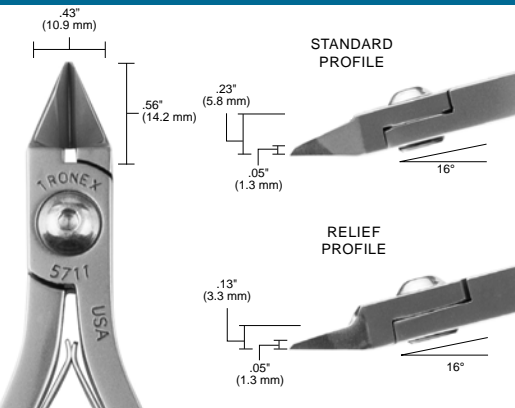
| | SEMI-FLUSH | FLUSH | | RAZOR FLUSH® | |
|-------------------------------------|---|--|---|---|---|
| ITEM NO. | 5421 7421* | 5412 7412* | 5422 7422* | 5413 7413* | 5423 7423* |
| PROFILE | RELIEF | STANDARD | RELIEF | STANDARD | RELIEF |
| CUTTING CAPACITY (SOFT COPPER WIRE) | .008 in - .043 in 0.2 mm - 1.1 mm 32 - 17 AWG | .004 in - .049 in 0.1 mm - 1.25 mm 38 - 16 AWG | .004 in - .039 in 0.1 mm - 1 mm 38 - 18 AWG | .004 in - .031 in 0.1 mm - 0.8 mm 38 - 20 AWG | .004 in - .028 in 0.1 mm - 0.7 mm 38 - 21 AWG |
| HANDLE LENGTH | STANDARD *LONG ERGONOMIC | STANDARD *LONG ERGONOMIC | | STANDARD *LONG ERGONOMIC | |
| OAL | 4.6 in / 117 mm *5.6 in / 142 mm | 4.6 in / 117 mm *5.6 in / 142 mm | | 4.6 in / 117 mm *5.6 in / 142 mm | |

MEDIUM TAPER CUTTERS are very popular cutter models providing cutting capacity & outstanding access.



| | SEMI-FLUSH | | FLUSH | | RAZOR FLUSH® | |
|-------------------------------------|--|--|---|--|---|---|
| ITEM NO. | 5211 7211 | 5221 7221* | 5212 7212* | 5222 7222* | 5213 7213* | 5223 7223* |
| PROFILE | STANDARD | RELIEF | STANDARD | RELIEF | STANDARD | RELIEF |
| CUTTING CAPACITY (SOFT COPPER WIRE) | .008 in - .049 in 0.2 mm - 1.25 mm 32 - 16 AWG | .008 in - .045 in 0.2 mm - 1.15 mm 32 - 17 AWG | .006 in - .049 in 0.15 mm - 1.25 mm 35 - 16 AWG | .004 in - .041 in 0.1 mm - 1.05 mm 38 - 19 AWG | .004 in - .039 in 0.1 mm - 1 mm 38 - 18 AWG | .004 in - .035 in 0.1 mm - 0.9 mm 38 - 19 AWG |
| HANDLE LENGTH | STANDARD *LONG ERGONOMIC | | STANDARD *LONG ERGONOMIC | | STANDARD *LONG ERGONOMIC | |
| OAL | 4.6 in / 117 mm *5.6 in / 142 mm | | 4.6 in / 117 mm *5.6 in / 142 mm | | 4.6 in / 117 mm *5.6 in / 142 mm | |

LARGE TAPER CUTTERS with extra long jaw for possibly cutting multiple leads.

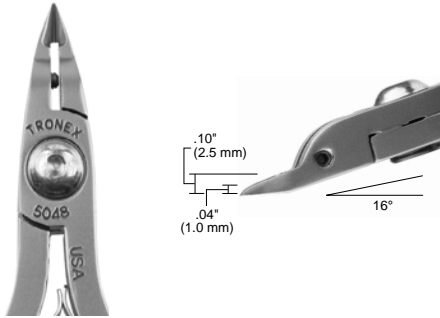


| | SEMI-FLUSH | FLUSH | | RAZOR FLUSH® | |
|-------------------------------------|---|--|--|---|---|
| ITEM NO. | 5711 7711 | 5712 7712* | 5722 7722* | 5713 7713* | 5723 7723* |
| PROFILE | STANDARD | STANDARD | RELIEF | STANDARD | RELIEF |
| CUTTING CAPACITY (SOFT COPPER WIRE) | .008 in - .051 in 0.2 mm - 1.3 mm 32 - 16 AWG | .006 in - .051 in 0.15 mm - 1.3 mm 35 - 16 AWG | .006 in - .047 in 0.15 mm - 1.2 mm 35 - 16 AWG | .004 in - .047 in 0.1 mm - 1.2 mm 38 - 16 AWG | .004 in - .035 in 0.1 mm - 0.9 mm 38 - 19 AWG |
| HANDLE LENGTH | STANDARD *LONG ERGONOMIC | STANDARD *LONG ERGONOMIC | | STANDARD *LONG ERGONOMIC | |
| OAL | 4.7 in / 120 mm *5.7 in / 145 mm | 4.7 in / 120 mm *5.7 in / 145 mm | | 4.7 in / 120 mm *5.7 in / 145 mm | |

Tip Cutters

Tip cutters are cutting tools with long, narrow jaws that have small, exceptionally sharp edges for cutting at the very tip. All Tronex tip cutters have long jaws for extended reach, feature Razor Flush® cutting edges and a set screw to prevent damage to the blades. Some Tronex tip cutters have lower profiles or have ultra fine cutting tips.

FINE TIP CUTTER



| | STANDARD HANDLE |
|-------------------------------------|--|
| ITEM NO. | 5048 |
| CUTTING EDGE | RAZOR FLUSH® |
| CUTTING CAPACITY (SOFT COPPER WIRE) | .004 in - .025 in 0.1 mm - 0.65 mm 38 - 22 AWG |
| OAL | 4.8 in 121 mm |



Ultra fine tips for working with extremely fine electronics applications. Same as 5049 but with pointed tips rather than rounded tips.

MINIATURE HIGH RELIEF TIP CUTTER



| | STANDARD HANDLE | LONG ERGONOMIC HANDLE |
|-------------------------------------|--|-----------------------|
| ITEM NO. | 5049 | 7049 |
| CUTTING EDGE | RAZOR FLUSH® | |
| CUTTING CAPACITY (SOFT COPPER WIRE) | .004 in - .025 in 0.1 mm - 0.65 mm 38 - 22 AWG | |
| OAL | 4.8 in 121 mm | 5.8 in 146 mm |

Tip cutter with deep relief for an exceptionally low profile. Short sturdy jaw. Slightly rounded tips.

SMALL TIP CUTTER



| | STANDARD HANDLE | LONG ERGONOMIC HANDLE |
|-------------------------------------|---|-----------------------|
| ITEM NO. | 5070 | 7070 |
| CUTTING EDGE | RAZOR FLUSH® | |
| CUTTING CAPACITY (SOFT COPPER WIRE) | .004 in - .031 in 0.1 mm - 0.8 mm 38 - 20 AWG | |
| OAL | 5.1 in 129 mm | 6.1 in 154 mm |

Most popular tip cutter. Jaw is twice as long as jaw of standard cutters. Jaw is slim with a low, relieved profile. Razor Flush® cutting edges.

SUB-MINIATURE TIP CUTTER



| | STANDARD HANDLE | LONG ERGONOMIC HANDLE |
|-------------------------------------|--|-----------------------|
| ITEM NO. | 5071 | 7071 |
| CUTTING EDGE | RAZOR FLUSH® | |
| CUTTING CAPACITY (SOFT COPPER WIRE) | .002 in - .016 in 0.05 mm - 0.4 mm 40 - 26 AWG | |
| OAL | 4.7 in 120 mm | 5.7 in 145 mm |

SMT cutter. Extraordinarily small, fine cutting edges and fine tip. Often used under a microscope. Removes individual leads from fine pitch components. Razor Flush® cutting edges.

RUGGED LONG JAW TIP CUTTER



| | STANDARD HANDLE | LONG ERGONOMIC HANDLE |
|-------------------------------------|--|-----------------------|
| ITEM NO. | 5088 | 7088 |
| CUTTING EDGE | RAZOR FLUSH® | |
| CUTTING CAPACITY (SOFT COPPER WIRE) | .005 in - .039 in 0.13 mm - 1.2 mm 36 - 18 AWG | |
| OAL | 5.1 in 129 mm | 6.1 in 154 mm |


Same as the 5070/7070 model except wider jaw and wider tip for extra durability and greater cutting capacity. Razor Flush® cutting edges.

ANGULATED & STANDOFF CUTTERS

Angulated Cutters

Most precision hand cutting tools have cutting edges at a 15 to 20 degree angle so that there is clearance for the operator's fingers on the handles. However, a much greater angle may be preferred when access to the object being cut is very limited or when the work area is very crowded. Tronex offers angulated cutters at different angles and with different cutting edge sizes to meet a wide variety of needs.


LARGE 50° POINTED CUTTER



| | STANDARD HANDLE | LONG ERGONOMIC HANDLE |
|-------------------------------------|---|-----------------------|
| ITEM NO. | 5004 | 7004 |
| CUTTING EDGE | FLUSH | |
| CUTTING CAPACITY (SOFT COPPER WIRE) | .008 in - .031 in 0.2 mm - 0.8 mm 32 - 20 AWG | |
| OAL | 4.7 in 119 mm | 5.7 in 144 mm |

Large cutting edge with pointed tip. Short jaw for enhanced control.


LARGE 50° CUTTER



| | STANDARD HANDLE | LONG ERGONOMIC HANDLE |
|-------------------------------------|---|-----------------------|
| ITEM NO. | 5072 | 7072 |
| CUTTING EDGE | FLUSH | |
| CUTTING CAPACITY (SOFT COPPER WIRE) | .008 in - .039 in 0.2 mm - 1 mm 32 - 18 AWG | |
| OAL | 4.8 in 123 mm | 5.8 in 148 mm |

Largest cutting head. Robust and excellent in cutting several leads in a single cut. Relieved for enhanced visibility.


MINIATURE 50° CUTTER



| | STANDARD HANDLE | LONG ERGONOMIC HANDLE |
|-------------------------------------|--|-----------------------|
| ITEM NO. | 5075 | 7075 |
| CUTTING EDGE | FLUSH | |
| CUTTING CAPACITY (SOFT COPPER WIRE) | .004 in - .025 in 0.1 mm - 0.65 mm 38 - 22 AWG | |
| OAL | 4.9 in 124 mm | 5.9 in 149 mm |

An SMT cutter with a very small cutting head. Used for exceptionally fine cutting. Relieved for maximum accessibility.


SMALL 50° POINTED CUTTER



| | STANDARD HANDLE | LONG ERGONOMIC HANDLE |
|-------------------------------------|---|-----------------------|
| ITEM NO. | 5080 | 7080 |
| CUTTING EDGE | FLUSH | |
| CUTTING CAPACITY (SOFT COPPER WIRE) | .008 in - .030 in 0.1 mm - 0.8 mm 32 - 20 AWG | |
| OAL | 4.9 in 124 mm | 5.9 in 149 mm |

Angulated cutter with a very pointed tip which allows for maximum accessibility into confined areas.


SMALL 50° CUTTER



| | STANDARD HANDLE | LONG ERGONOMIC HANDLE |
|-------------------------------------|---|-----------------------|
| ITEM NO. | 5082 | 7082 |
| CUTTING EDGE | FLUSH | |
| CUTTING CAPACITY (SOFT COPPER WIRE) | .008 in - .030 in 0.1 mm - 0.8 mm 32 - 20 AWG | |
| OAL | 4.9 in 124 mm | 5.9 in 149 mm |

Most popular angulated cutter. Small cutting head with relief for excellent visibility. Durability combined with fine cutting.

SMALL 70° CUTTER

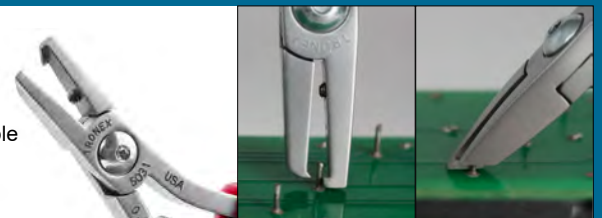


| | STANDARD HANDLE | LONG ERGONOMIC HANDLE |
|-------------------------------------|--|-----------------------|
| ITEM NO. | 5083 | 7083 |
| CUTTING EDGE | FLUSH | |
| CUTTING CAPACITY (SOFT COPPER WIRE) | .008 in - .025 in 0.2 mm - 0.65 mm 32 - 22 AWG | |
| OAL | 4.9 in 124 mm | 5.9 in 149 mm |

An SMT cutter. Steep 70° angle with a very fine cutting head allows special access.

Standoff Cutters

Cut to a predetermined standoff length available from .5mm to 3mm. Includes a unique anti-dulling protection. Set screw prevents cutting edge from hitting the standoff leg after a cut has been made. Cutting edge hardened by induction heat treating. Standoff Cutters are available in 45 or 90 degree angles and standard or long ergonomic handle length. The cutting capacity for soft copper wire ranges from 32 - 22 AWG. Visit TronexTools.com for more information.



PRECISION STAINLESS STEEL

| Item No. | Description |
|-----------|--|
| 00-SA-CH | General Purpose, Fine Tips, Style 00 |
| 00D-SA-CH | General Purpose with Finger Grooves, Fine Serrated Tips, Style 00D |
| 2A-SA-CH | Slight Taper, Blunt Rounded Tips, Style 2A |
| 3-SA-CH | NEW! General Purpose, Very Fine Tips, Style 3 |
| 3C-SA-CH | General Purpose, Shorter, Very Fine Tips, Style 3C |
| 3CB-SA-CH | Bent Very Fine Tips, Style 3CB |
| 5-SA-CH | Extra Taper, Very Fine Tips, Style 5 |
| 51-SA-CH | NEW! Bent Very Fine Tips, Style 51 |
| 7-SA-CH | Curved Very Fine Tips, Style 7 |
| AA-SA-CH | General Purpose, Fine Tips, Style AA |
| SS-SA-CH | Long/Thin, Very Fine Tips, Style SS |

NEW! LIGHTWEIGHT PLASTIC DISSIPATIVE

| Item No. | Description |
|----------|---|
| P2A-STD | Flat, Round Blunt Tips, Style 2A |
| P35-STD | Straight, Flat Tips, Style 35 |
| P3C-STD | General Purpose, Very Fine Tips, Style 3C |
| P7-STD | Curved Very Fine Tips, Style 7 |

NEW! REPLACEABLE DISSIPATIVE TIPS

| Item | Description |
|-----------------|---|
| 1304-SA-STD-CH | General Purpose, Fine Tips, Style 00, NEW! Replacement Tips: TIP-STD-4-CH |
| 1304B-SA-STD-CH | Curved Very Fine Tips, Style 7, NEW! Replacement Tips: TIP-STD-4B-CH |
| 1315-SA-STD-CH | Extra Taper, Very Fine Tips, Style 5, NEW! Replacement Tips: TIP-STD-15-CH |
| 1316-SA-STD-CH | Taper, Very Fine Tips, Style 2, NEW! Replacement Tips: TIP-STD-16-CH |
| 1317-SA-STD-CH | Slight Taper, Blunt Rounded Tips, Style 2A, NEW! Replacement Tips: TIP-STD-17-CH |

MINI STAINLESS STEEL

| Item | Description |
|-----------|---|
| M2A-SA-CH | Short, Slight Taper, Blunt Rounded Tips, Style 2A |
| M3C-SA-CH | Short, Slight Taper, Very Fine Tips, Style 3C |
| M5-SA-CH | Short, Extra Taper, Very Fine Tips, Style 5 |

CUTTING

| Item | Description |
|----------|--|
| 15AC-CH | Medium Head, Pointed Tips, Style 15AC |
| 15AGW-CH | Large Head, Pointed Tips, Style 15AGW |
| 15AP-CH | NEW! Large Head, Parallel Cut, Pointed Tips, Style 15AP |

NEW! WAFER HANDLING

| Item | Description |
|------------------|---|
| T5508W-SA-STD-CH | Replaceable Dissipative Tips, Stainless Handles |

ACCESSORIES

| Item | Description |
|-----------|--|
| M-CASE-10 | Carrying Case Only, Magnetic Closure, 10 Piece |
| Z-CASE-10 | Carrying Case Only, Zipper Closure, 10 Piece |

Tweezers

With an emphasis on quality craftsmanship, Tronex has sourced tweezers produced to exacting standards by toolmakers who have been making tweezers for decades.



Carrying Cases Available!



M-CASE-10

Z-CASE-10

| STYLE | DESCRIPTION |
|-------|---|
| 00 | General Purpose, Fine Tips |
| 00D | General Purpose with Finger Grooves, Fine Serrated Tips |
| 2 | Taper, Very Fine Tips |
| 2A | Slight Taper, Blunt Rounded Tips |
| 3 | General Purpose, Very Fine Tips |
| 3C | General Purpose, Shorter, Very Fine Tips |
| 3CB | Bent Very Fine Tips |
| 35 | Straight, Flat Tips |
| 5 | Extra Taper, Very Fine Tips |
| 51 | Bent Very Fine Tips |
| 7 | Curved Very Fine Tips |
| AA | General Purpose, Fine Tips |
| SS | Long/Thin, Very Fine Tips |
| AC | Cutting – Medium Head, Pointed Tips |
| AGW | Cutting – Large Head, Pointed Tips |
| AP | Cutting – Large Head, Parallel Cut |

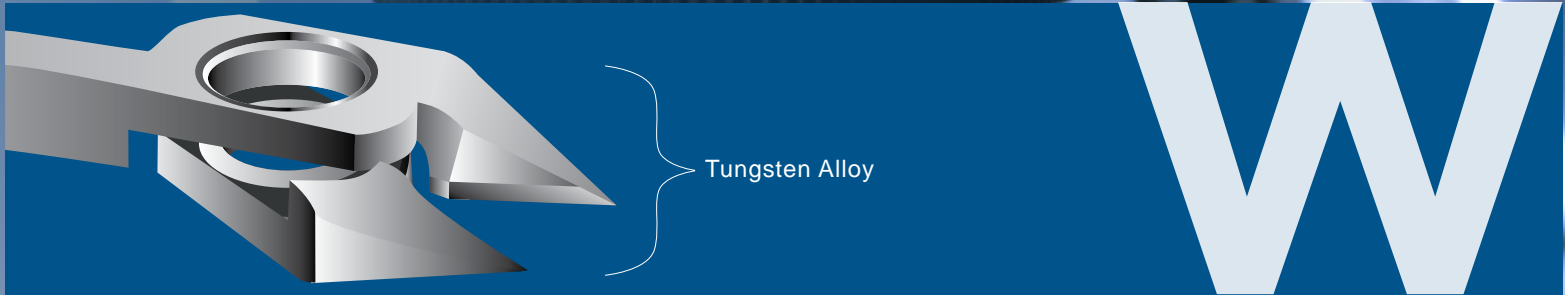


FINE HARD WIRE CUTTERS

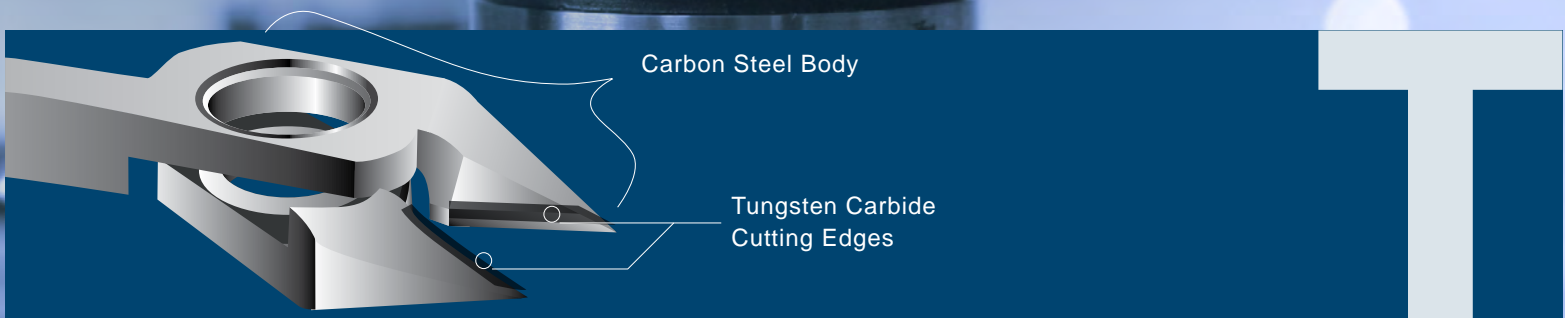
CLASS W & T CUTTERS

MEDICAL DEVICE MANUFACTURING

Tronex hard wire cutters are designed specifically for cutting very fine hard wire typically used in medical device manufacturing. These specialty cutters are often used under a microscope and cut very fine hard wire including Nitinol, Stainless Steel, Elgiloy and Tungsten. These cutters are ideal for cutting stents, catheters and braided mesh used in medical device manufacturing.


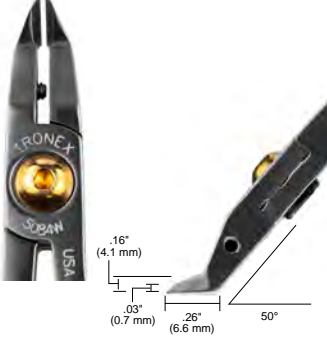




- Made entirely from a super tungsten alloy containing tungsten, cobalt, vanadium, and chromium.
- Machined and formed at the Tronex factory to high dimensional tolerances, exceptionally sharp cutting edges, and featuring Tronex's unique joint design.
- Vacuum furnace-hardened and tempered to achieve a cutting edge hardness of 66 to 68 HRC. Cutters made from carbon steel have a maximum cutting edge hardness of 62 to 63 HRC.
- Cutter heads and tips are smaller and narrower than tips on Tronex Class T cutters. Therefore, Class W cutters are effective in cutting in confined areas and into coils. Class W cutters are often used to cut medical wire under a microscope.
- Particularly fine grained cutting edges allow cutting of very thin wire with diameter of less than .005" (0.1mm). Class W cutters cut slightly more flush than Class T cutters
- Set screw stops (pre-set at the factory) prevent overlapping, help decrease shock from the cutting force, and reduce dulling.





- Body of the tool made of hardened carbon steel.
- Cutting edges are made of tungsten carbide material silver brazed into the jaw of the carbon steel body.
- Diamond grinding at the Tronex factory forms the head shape and sharpens the cutting edges to high dimensional tolerances. All Class T cutters feature the unique Tronex joint design.
- Grade of Tungsten carbide optimizes toughness and hardness. Cutting edge hardness is in the range of 79 to 81 HRC.
- Dual material design allows for higher cutting capacities than for Class W cutters. Cuts hard wire to a diameter of .025" (.65mm).
- Class T cutters have harder cutting edges than Class W cutters. Therefore Class T cutters can cut harder wire than Class W cutters. For example Class T cutters can cut fine tungsten wire, Class W cannot cut fine tungsten wire.
- Dual material design of Class T cutters makes these tools tougher and less fragile than Class W cutters. Class W cutters are likely to fracture if dropped on a concrete floor.
- Set screw stops (pre-set at the factory) prevent overlapping, help decrease shock from the cutting force, and reduce dulling.


W CUTTERS MADE ENTIRELY FROM TUNGSTEN ALLOY STEEL

| 50° WIDE HEAD CUTTER | | 50° THIN HEAD CUTTER - SLIGHTLY ROUNDED TIPS | | | |
|---|-------------------------------|---|---|-------------------------------|---|
|  <p>Dimensions: 13" (3.2 mm) tip length, 0.3" (0.7 mm) tip width, 0.34" (8.6 mm) handle width, 50° angle.</p> | STANDARD HANDLE |  <p>Dimensions: 16" (4.1 mm) tip length, 0.3" (0.7 mm) tip width, 0.26" (6.6 mm) handle width, 50° angle.</p> | STANDARD HANDLE | | |
| | ITEM NO. | | 5081W | ITEM NO. | 5084W |
| | CUTTING EDGE | | FLUSH | CUTTING EDGE | FLUSH |
| | CUTTING CAPACITY (STEEL WIRE) | | .003 in - .007 in 0.08 mm - 0.18 mm 39 - 33 AWG | CUTTING CAPACITY (STEEL WIRE) | .003 in - .007 in 0.08 mm - 0.18 mm 39 - 33 AWG |
| | OAL | | 4.6 in 117 mm | OAL | 4.9 in 123 mm |

| MINIATURE OVAL HEAD CUTTER | | MINIATURE TAPER RELIEF HEAD CUTTER | | | |
|---|-------------------------------|---|---|-------------------------------|---|
|  <p>Dimensions: 16" (4.1 mm) tip length, 0.4" (1.0 mm) tip width, 16° angle.</p> | STANDARD HANDLE |  <p>Dimensions: 13" (3.3 mm) tip length, 0.3" (0.8 mm) tip width, 16° angle.</p> | STANDARD HANDLE | | |
| | ITEM NO. | | 5312W | ITEM NO. | 5422W |
| | CUTTING EDGE | | FLUSH | CUTTING EDGE | FLUSH |
| | CUTTING CAPACITY (STEEL WIRE) | | .003 in - .010 in 0.08 mm - 0.25 mm 39 - 30 AWG | CUTTING CAPACITY (STEEL WIRE) | .003 in - .010 in 0.08 mm - 0.25 mm 39 - 30 AWG |
| | OAL | | 4.5 in 116 mm | OAL | 4.6 in 117 mm |

T CUTTERS MADE WITH TUNGSTEN CARBIDE INSERTS BRAZED INTO THE CUTTING EDGES

| OVAL HEAD CUTTER | | TAPER HEAD CUTTER | | | |
|--|-------------------------------|--|--|-------------------------------|--|
|  <p>Dimensions: 23" (5.8 mm) tip length, 0.4" (1.0 mm) tip width, 16° angle. Tungsten Carbide Inserts.</p> | STANDARD HANDLE |  <p>Dimensions: 19" (4.8 mm) tip length, 0.4" (1.0 mm) tip width, 16° angle. Tungsten Carbide Inserts.</p> | STANDARD HANDLE | | |
| | ITEM NO. | | 5112T | ITEM NO. | 5212T |
| | CUTTING EDGE | | FLUSH | CUTTING EDGE | FLUSH |
| | CUTTING CAPACITY (STEEL WIRE) | | .008 in - .025 in 0.2 mm - 0.65 mm 32 - 22 AWG | CUTTING CAPACITY (STEEL WIRE) | .008 in - .020 in 0.2 mm - 0.51 mm 32 - 24 AWG |
| | OAL | | 4.6 in 117 mm | OAL | 4.6 in 117 mm |

| COMPOUND CUTTER | | | |
|--|-------------------------------|---|-------|
|  <p>Dimensions: 7" (17.8 mm) handle length, 5" (12.7 mm) handle width. Tungsten Carbide Inserts.</p> | LONG ERGONOMIC HANDLE | LONG ERGONOMIC HANDLE | |
| | ITEM NO. | 7011T | 7012T |
| | CUTTING EDGE | SEMI-FLUSH | FLUSH |
| | CUTTING CAPACITY (STEEL WIRE) | .012 in - .032 in 0.32 mm - 0.81 mm 28 - 20 AWG | |
| | OAL | 6.2 in 157 mm | |

TRONEX PLIERS

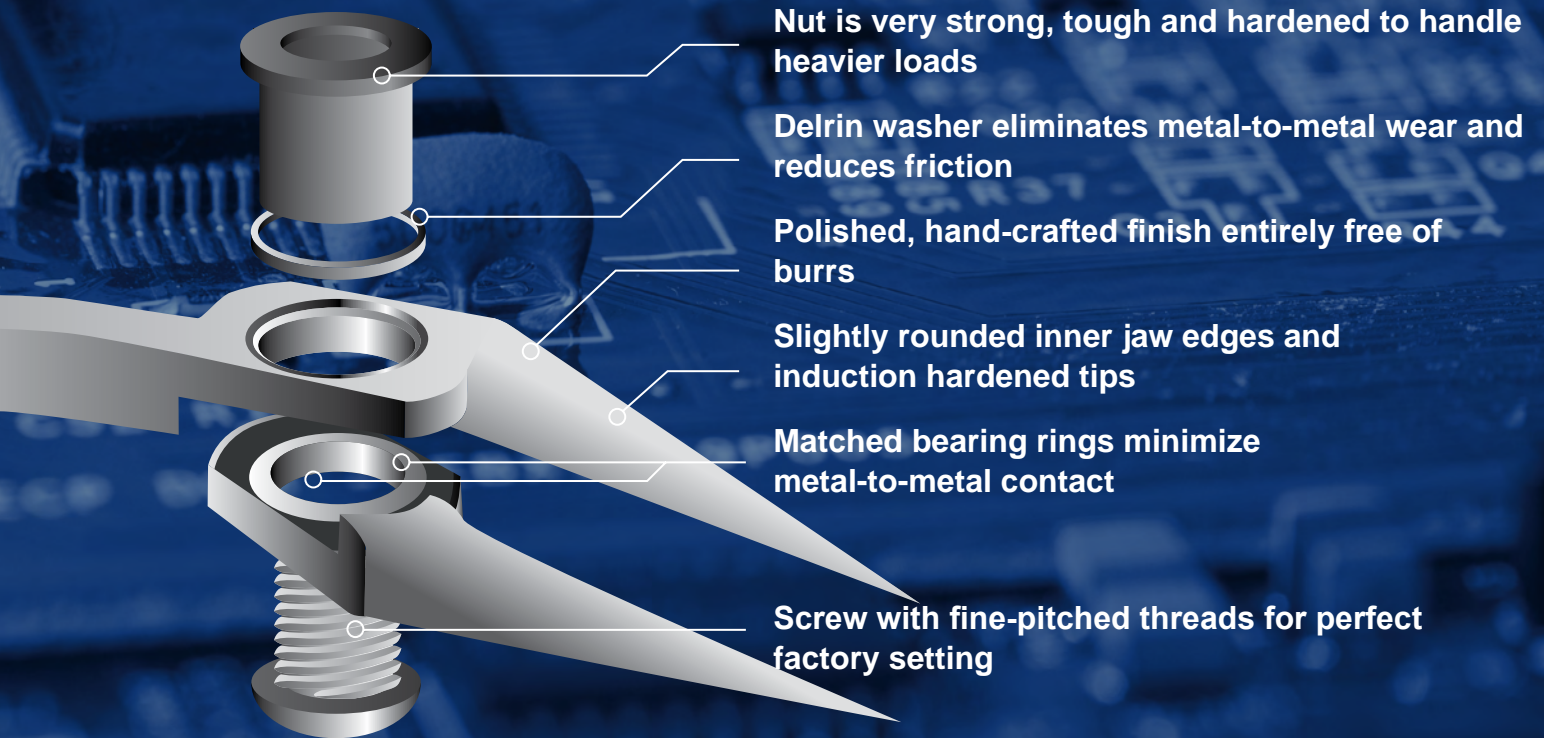
Precision Pliers

Tronex precision pliers are 100% made in the USA with US sourced carbon steel. Our pliers are precision pliers – just like our cutters, and are designed for a high level of performance and comfort. Tronex pliers offer some unique characteristics including:

- ESD Safe cushion grips with stainless steel leaf springs
- Most offer a choice of standard handle length or long, ergonomic handle length
- Polished, hand-crafted finish; entirely free of burrs
- Special design elements such as slightly rounded inner jaw edges and induction hardened tips

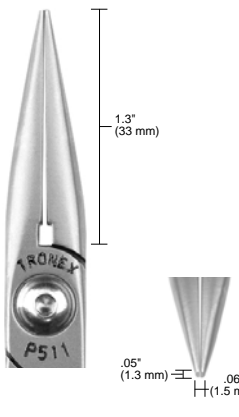
Bearing Ring Lap Joint

Tronex pliers feature an innovative bearing ring lap joint design for smooth function, strength and durability. Most pliers on the market have only a lap joint or rivet joint. Tronex pliers will function better, feel more comfortable and last longer than other pliers. This is one of the reasons why Tronex pliers are considered the best performing precision pliers in the world.

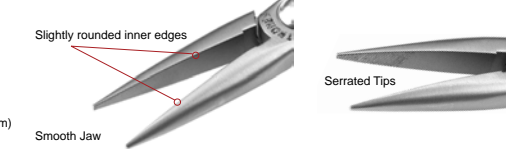


CHAIN NOSE PLIERS

CHAIN NOSE LONG, SMOOTH JAW PLIERS



| | STANDARD HANDLE | LONG ERGONOMIC HANDLE |
|---------------|------------------|-----------------------|
| SMOOTH TIPS | P511 | P711 |
| SERRATED TIPS | P511S | P711S |
| OAL | 5.5 in 138 mm | 6.5 in 164 mm |



1.3" (33 mm)

.05" (1.3 mm) .06" (1.5 mm)

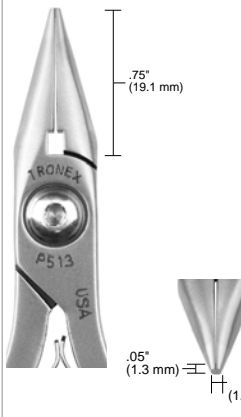
Slightly rounded inner edges

Smooth Jaw


Serrated Tips

Ultra fine tips pliers for working with extremely fine electronics applications and reaching into confined spaces. Can grip fine leads without marring them. A comfortable alternative to tweezers for certain applications.

CHAIN NOSE SHORT JAW PLIERS



| | STANDARD HANDLE | LONG ERGONOMIC HANDLE |
|---------------|------------------|-----------------------|
| SMOOTH TIPS | P513 | P713 |
| SERRATED TIPS | P513S | P713S |
| OAL | 4.9 in 124 mm | 5.9 in 150 mm |



.75" (19.1 mm)


.05" (1.3 mm) .06" (1.5 mm)

Slightly rounded inner edges

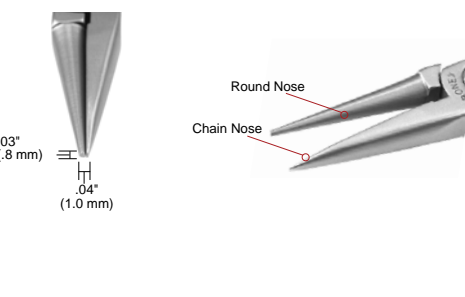
Serrated Tips

The short jaw provides increased stiffness at the tips to resist deformation when working with heavier gauge wire. Induction hardened tips (60 HRC).

HALF CHAIN NOSE & HALF ROUND NOSE PLIERS



| | STANDARD HANDLE | LONG ERGONOMIC HANDLE |
|-------------|------------------|-----------------------|
| SMOOTH TIPS | P517 | P717 |
| OAL | 5.4 in 137 mm | 6.4 in 163 mm |



1.3" (33 mm)

.03" (.8 mm) .04" (1.0 mm)

Round Nose

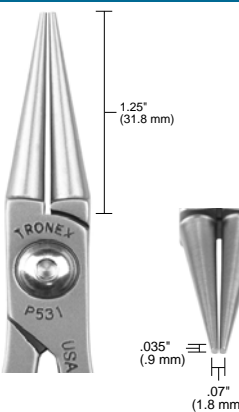
Chain Nose

| | STANDARD HANDLE | LONG ERGONOMIC HANDLE |
|-------------|------------------|-----------------------|
| SMOOTH TIPS | P517 | P717 |
| OAL | 5.4 in 137 mm | 6.4 in 163 mm |

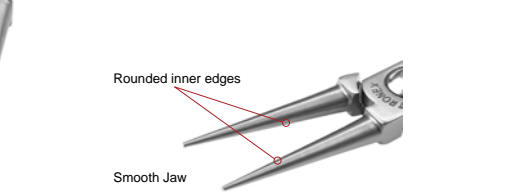
Half Chain Nose and Half Round Nose specialty pliers are used for wrapping and bending wire or leads.

ROUND NOSE PLIERS

ROUND NOSE LONG JAW PLIERS



| | STANDARD HANDLE | LONG ERGONOMIC HANDLE |
|-------------|------------------|-----------------------|
| SMOOTH TIPS | P531 | P731 |
| OAL | 5.4 in 137 mm | 6.4 in 163 mm |



1.25" (31.8 mm)


.035" (.9 mm) .07" (1.8 mm)

Rounded inner edges

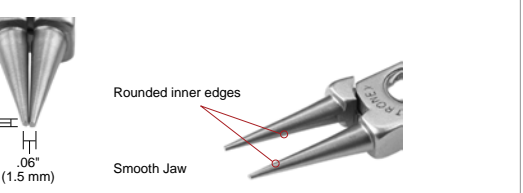
Smooth Jaw

Round nose pliers are used in electronics and in jewelry making, primarily for making loops. Long Jaws allow for broader range of loop diameters.

ROUND NOSE SHORT JAW PLIERS



| | STANDARD HANDLE | LONG ERGONOMIC HANDLE |
|-------------|------------------|-----------------------|
| SMOOTH TIPS | P532 | P732 |
| OAL | 4.9 in 124 mm | 5.9 in 150 mm |



.78" (19.8 mm)

.03" (0.8 mm) .06" (1.5 mm)

Rounded inner edges

Smooth Jaw

Round nose pliers are used in electronics and in jewelry making, primarily for making loops. Shorter jaws allow for ultra fine looks. Designed for very fine wire. Induction hardened tips (60 HRC).

NEEDLE NOSE & FLAT NOSE PLIERS

NEEDLE NOSE PLIERS

NEEDLE NOSE LONG SMOOTH JAW PLIERS

1.21" (30.7 mm)

| | STANDARD HANDLE | LONG ERGONOMIC HANDLE |
|---------------|------------------|-----------------------|
| SMOOTH TIPS | P521 | P721 |
| SERRATED TIPS | P521S | P721S |
| OAL | 5.4 in 137 mm | 6.4 in 163 mm |

Smooth Jaw

Slightly rounded inner edges

Serrated Tips

.04" (1.0 mm)

.05" (1.2 mm)

Needle nose pliers are used primarily in fine electronics work. They feature jaws that are machined in thin half cones. This thin profile increases tool access. The cone shape can be used for precision loop forming of leads or wire.

NEEDLE NOSE SHORT JAW PLIERS

.77" (19.6 mm)

| | STANDARD HANDLE | LONG ERGONOMIC HANDLE |
|-------------|------------------|-----------------------|
| SMOOTH TIPS | P523 | P723 |
| OAL | 4.9 in 124 mm | 5.9 in 150 mm |

Smooth Jaw

Slightly rounded inner edges

.04" (1.0 mm)

.05" (1.2 mm)

Same as our needle nose pliers, but shorter tips. Induction hardened tips (60 HRC).

NEEDLE NOSE EXTRA LONG JAW PLIERS

1.62" (41.1 mm)

| | STANDARD HANDLE | LONG ERGONOMIC HANDLE |
|-------------|------------------|-----------------------|
| SMOOTH TIPS | P524 | P724 |
| OAL | 5.8 in 147 mm | 6.8 in 172 mm |

Smooth Jaw

Slightly rounded inner edges

.04" (1.0 mm)

.05" (1.2 mm)

Extra long tips for access into hard to reach spots, .37" longer than our standard needle nose pliers. Originally designed for electronics use.

FLAT NOSE PLIERS

FLAT NOSE LONG JAW STEP TIP PLIERS

1.25" (31.7 mm)

| | STANDARD HANDLE | LONG ERGONOMIC HANDLE |
|-------------|------------------|-----------------------|
| SMOOTH TIPS | P541 | P741 |
| OAL | 5.4 in 137 mm | 6.4 in 163 mm |

Smooth Jaw

Slightly rounded inner edges

.15" (3.8 mm)

.06" (1.5 mm)

Flat nose pliers are used for gripping and bending wire.

FLAT NOSE WIDE STEP TIP PLIERS

1.25" (31.7 mm)

| | STANDARD HANDLE | LONG ERGONOMIC HANDLE |
|-------------|------------------|-----------------------|
| SMOOTH TIPS | P542 | P742 |
| OAL | 5.4 in 137 mm | 6.4 in 163 mm |

Smooth Jaw

Slightly rounded inner edges

.25" (6.3 mm)

.06" (1.5 mm)

Very similar to Tronex P541/P741 pliers, these pliers have slightly wider tips.

FLAT NOSE & BENT NOSE PLIERS

FLAT NOSE LONG JAW NO STEP PLIERS

| | STANDARD HANDLE | LONG ERGONOMIC HANDLE |
|-------------|------------------|-----------------------|
| SMOOTH TIPS | P543 | P743 |
| OAL | 5.4 in 137 mm | 6.4 in 163 mm |

Slightly rounded inner edges
Smooth Jaw

These pliers have a long, smooth jaw without the step at the tip. They also offer extended reaching capability with a long, thin nose.

FLAT NOSE SHORT JAW PLIERS

| | STANDARD HANDLE | LONG ERGONOMIC HANDLE |
|-------------|-----------------|-----------------------|
| SMOOTH TIPS | P544 | P744 |
| OAL | 5 in 126 mm | 6 in 151 mm |

Slightly rounded inner edges
Smooth Jaw

These very popular pliers offer exceptional leverage with shorter blades. Tips have been heat treated for exceptional hardness (60 HRC).

FLAT NOSE WIDE TIP SHORT JAW PLIERS

Slightly rounded inner edges
Smooth Jaw

| | STANDARD HANDLE | LONG ERGONOMIC HANDLE |
|-------------|-----------------|-----------------------|
| SMOOTH TIPS | P545 | P745 |
| OAL | 5 in 126 mm | 6 in 151 mm |

Same as P544/P744 pliers, but slightly wider tips. Induction hardened tips (60 HRC).

BENT NOSE PLIERS

BENT NOSE 60 DEGREE FINE TIPS PLIERS

| | STANDARD HANDLE | LONG ERGONOMIC HANDLE |
|-------------|-----------------|-----------------------|
| SMOOTH TIPS | P551 | P751 |
| OAL | 5 in 126 mm | 6 in 151 mm |

Slightly rounded inner edges
Smooth Jaw

60°

Bent nose pliers are used in electronics where they are often used in place of tweezers. Fine tips on Tronex bent nose pliers provide exceptional access. Bent nose pliers are also used in jewelry making.

BENT NOSE 60 DEGREE STURDY TIPS PLIERS

| | STANDARD HANDLE | LONG ERGONOMIC HANDLE |
|-------------|-----------------|-----------------------|
| SMOOTH TIPS | P552 | P752 |
| OAL | 5 in 126 mm | 6 in 151 mm |

Slightly rounded inner edges
Smooth Jaw

60°

These bent nose pliers offer the same popular shape as our other bent nose pliers but with heftier, sturdier tips. These tips allow for usage with heavier gauge wire but still allow for exceptional access to confined spaces. Induction hardened tip (60 HRC).

BENT NOSE 45 DEGREE VERY FINE TIPS PLIERS

| | STANDARD HANDLE | LONG ERGONOMIC HANDLE |
|-------------|------------------|-----------------------|
| SMOOTH TIPS | P555 | P755 |
| OAL | 4.9 in 124 mm | 5.9 in 150 mm |

Slightly rounded inner edges
Smooth Jaw

45°

These bent nose pliers have a 45° angle rather than our standard 60° angle bent nose pliers. This tool also has finer tips than our other bent nose pliers. It is designed for working with fine wire and getting into very tight areas. Induction hardened tips (60 HRC).

ABOUT US

The **MENDA** brand name is recognized around the world as the “standard” for finger touch liquid dispensing. MENDA is famous for its high performance line of “dish type” liquid dispenser pumps and bottles, which are widely used in beauty, industrial electronics assembly, clean room and medical applications. MENDA is more than just a dispenser pump and bottle company. The MENDA product offering includes specialty tools, such as Circuitracers®, Probes, Spudgers, ESD Vacuums, Workstation Organizers, ESD Brushes, Fume Extractors, Specialty Vinyl Sealed Products, Identification Badge Holders and more!

EasyBraid is a manufacturer of supplies and equipment used in the PCB assembly industry. EasyBraid strives to deliver a complete solution to quality inspection and repair/rework needs. EasyBraid’s desoldering braid is manufactured using environmentally safe chemicals and processed in our Minnesota facility. It is made of clean, oxide-free copper and contains increased surface area (more copper) per square inch, for economical and consistent results. We also offer a wide range of products that include stencil rolls and solder tip cleaners.

TRONEX is a designer and manufacturer of high quality precision hand cutting tools and pliers, also offering tweezers and wire strippers. Tronex strives to deliver a complete solution to quality manufacturing and repair/rework needs. Located near California’s Silicon Valley, Tronex initially developed products specifically to meet the demanding needs of the region’s high tech electronics industry customers. Over time Tronex has expanded its customer base and expertise beyond the electronics industry and has become an important supplier to customers in a variety of industries all over the world.

MENDA EasyBraid and **TRONEX** have teamed up to offer a complete solution for every workstation.

CONTACT US

MENDA

Request a Sample, Demo or Virtual Workstation Evaluation!

No-charge samples of most of our products are available for testing/review purposes for qualified applications.

(909) 627-2453
Service@MENDATools.com

3651 Walnut Avenue
Chino, CA 91710 USA

