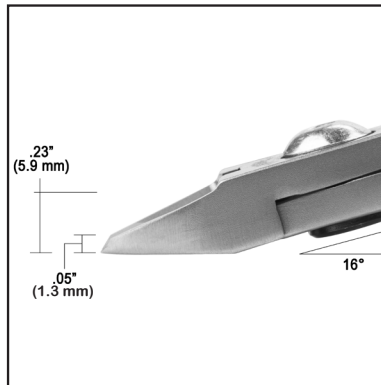
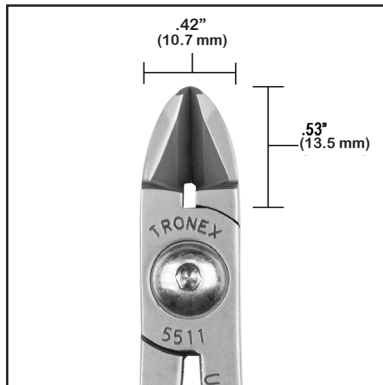




**Features:**

- **Application:** Used for general purpose cutting and have more head material for greater cutting capacity.
- **Head Shape:** Large Oval Head
- **Material:** Carbon Steel
- **Material Hardness:** 62-63 HRC
- **Handle Grips:** Cushion Double Sheathed, ESD Safe
- **RTT Resistance:**  $<1 \times 10^{11}$  ohms tested per ANSI/ESD STM11.13 Two-Point Probe, resistance measurement for static dissipative materials

Item	Cutting Edge	Cutting Capacity (Soft Copper Wire)	Profile	Handle Length	Overall Length
5511	Semi-Flush	.008 in - .059 in 0.2 mm - 1.5 mm 32 - 15 AWG	Standard	Standard	4.7 in 119 mm



Standard Profile

Unless otherwise noted, tolerance is  $\pm 10\%$ .



Made in the United States of America

Specifications and procedures subject to change without notice.

**LARGE OVAL HEAD SEMI-FLUSH CUTTER, STANDARD HANDLE**

2860 CORDELIA RD STE 230, FAIRFIELD, CA 94534  
 PHONE: (909) 627-2453  
 WEBSITE: [TronexTools.com](http://TronexTools.com)

**DRAWING NUMBER**  
5511

**DATE**  
October 2021

**TRONEX**