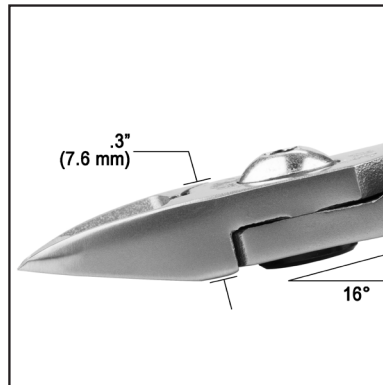
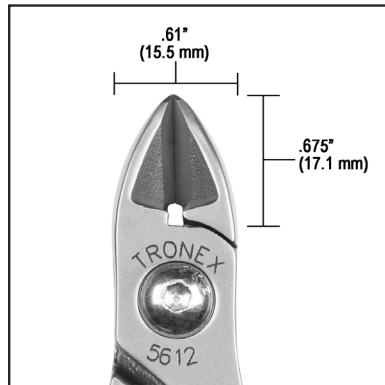




Features:

- **Application:** Has a longer and wider head which permits an expanded cutting capacity and is able to cut confidently through heavy duty wire.
- **Head Shape:** Extra Large Oval Head
- **Material:** Carbon Steel
- **Material Hardness:** 62-63 HRC
- **Handle Grips:** Cushion Double Sheathed, ESD Safe
- **RTT Resistance:** $<1 \times 10^{11}$ ohms tested per ANSI/ESD STM11.13 Two-Point Probe, resistance measurement for static dissipative materials

Item	Cutting Edge	Cutting Capacity (Soft Copper Wire)	Profile	Handle Length	Overall Length
5612	Flush	.010 in - .080 in 0.3 mm - 2 mm 29 - 12 AWG	Standard	Standard	5.5 in 140 mm



Standard Profile

Unless otherwise noted, tolerance is $\pm 10\%$.



Made in the United States of America

Specifications and procedures subject to change without notice.

EXTRA LARGE OVAL HEAD FLUSH CUTTER, STANDARD HANDLE

TRONEX

2860 CORDELIA RD STE 230, FAIRFIELD CA, 94534
 PHONE: (909) 627-2453
 WEBSITE: TronexTools.com

DRAWING NUMBER
5612

DATE
October 2021