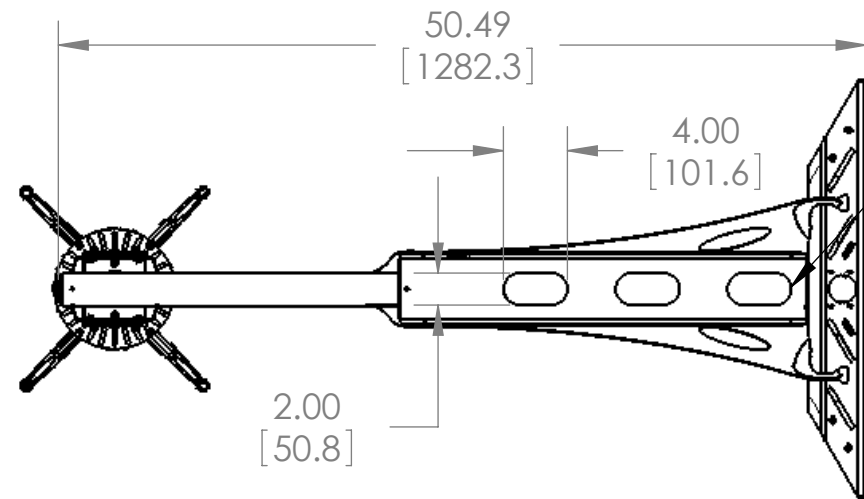


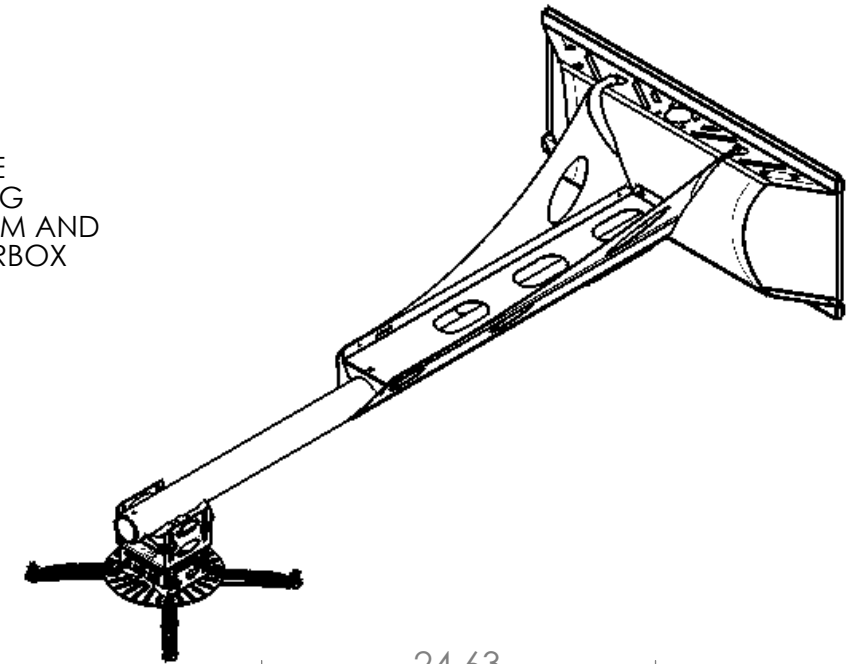
THE INFORMATION CONTAINED IN THIS DRAWING IS THE SOLE PROPERTY OF PREMIER MOUNTS DIVISION OF <PMPI> ANY REPRODUCTION IN PART OR WHOLE WITHOUT THE WRITTEN PERMISSION OF PREMIER MOUNTS DIVISION OF <PMPI> IS PROHIBITED.



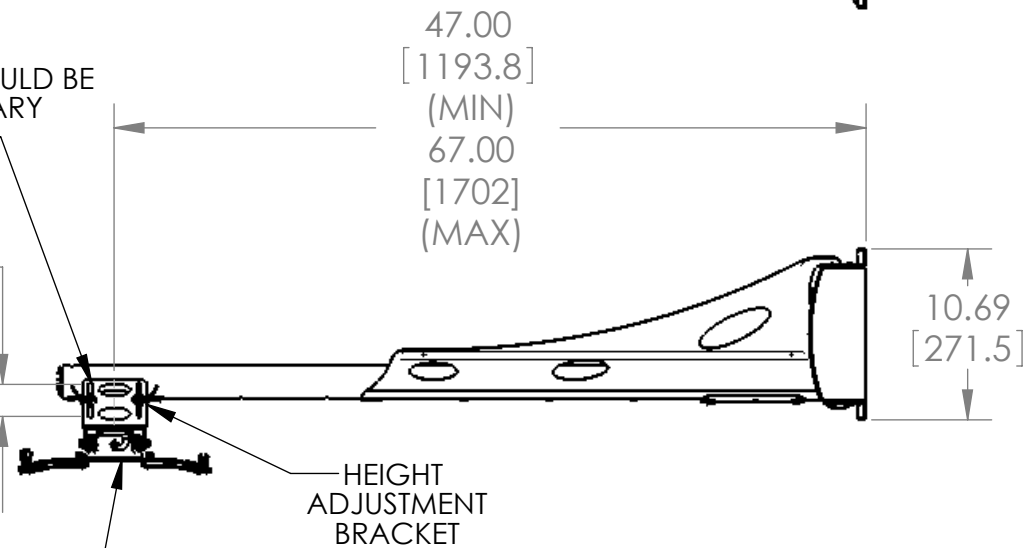
205 Westwood Ave, Long Branch, NJ 07740  
 Phone: 866-94 BOARDS (26273) / (732)-222-1511  
 Fax: (732)-222-7088 | E-mail: sales@touchboards.com



CABLE ROUTING THROUGH ARM AND INTO GEARBOX

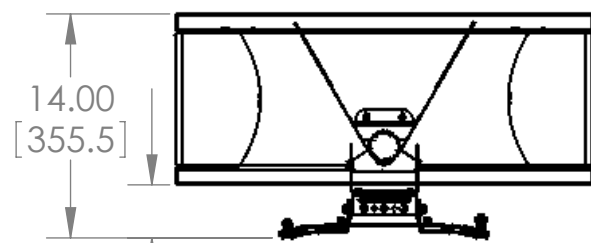
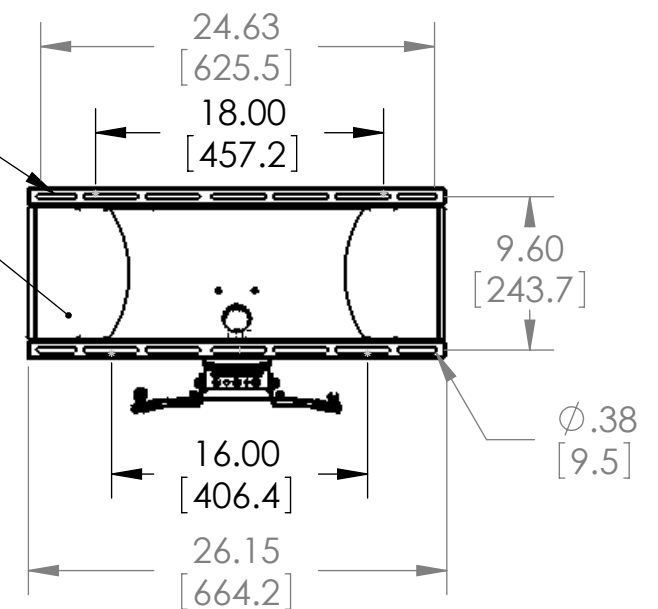


(OPTION) BRACKET SHOWN COULD BE INSTALLED TO THE SECONDARY MOUNT POSITION



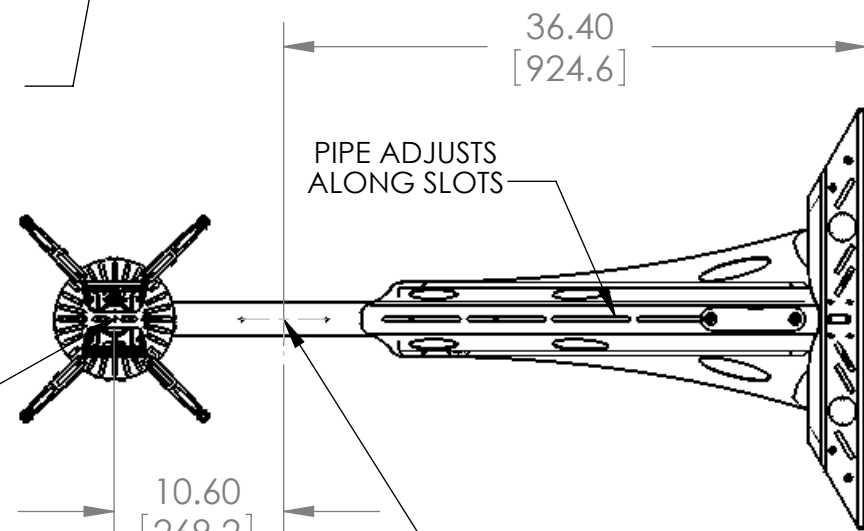
LATERAL SHIFT POSITION SLOTS

A/V EQUIPMENT SECURITY BOX



3.31 [84]

PDS-PLUS UNIVERSAL MOUNT  
 PITCH +/- 16.5°  
 ROLL +/- 7.5°  
 YAH 41°



PRIMARY MOUNT POSITION

SECONDARY MOUNT POSITION

MOUNTS.COM

DIMENSIONS ARE IN INCH AND [MM]



3130 East Miraloma Avenue  
 Anaheim, CA 92806  
 P. 800.368.9700 - F. 800.832.4888

ITEM DESCRIPTION:

UNI-EPDS  
 UNI-EPDSB

SIZE B DWG. NO.

SCALE: 1:1

SHEET 1 OF 1