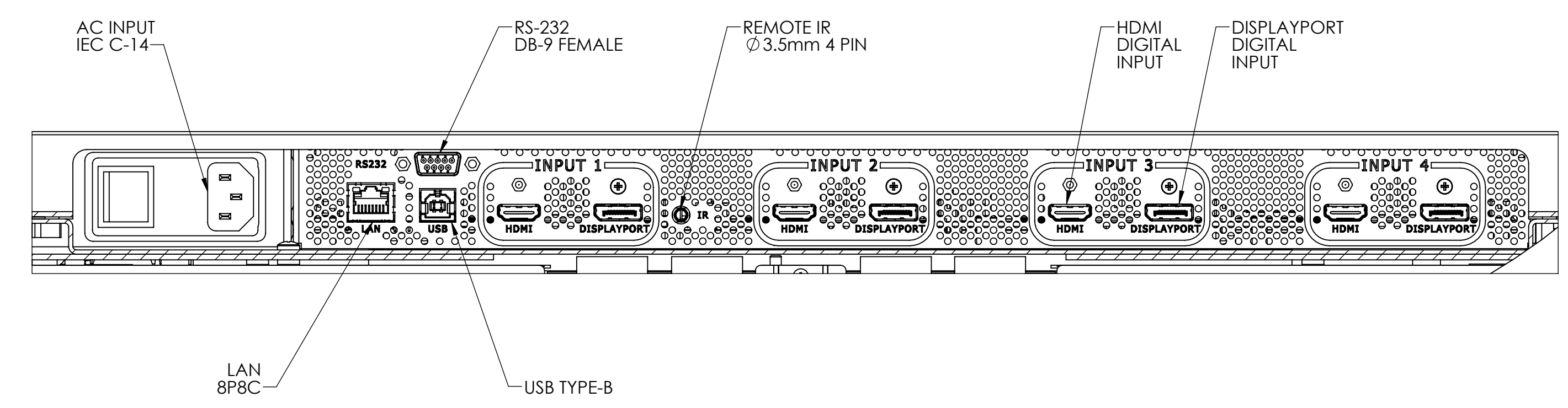
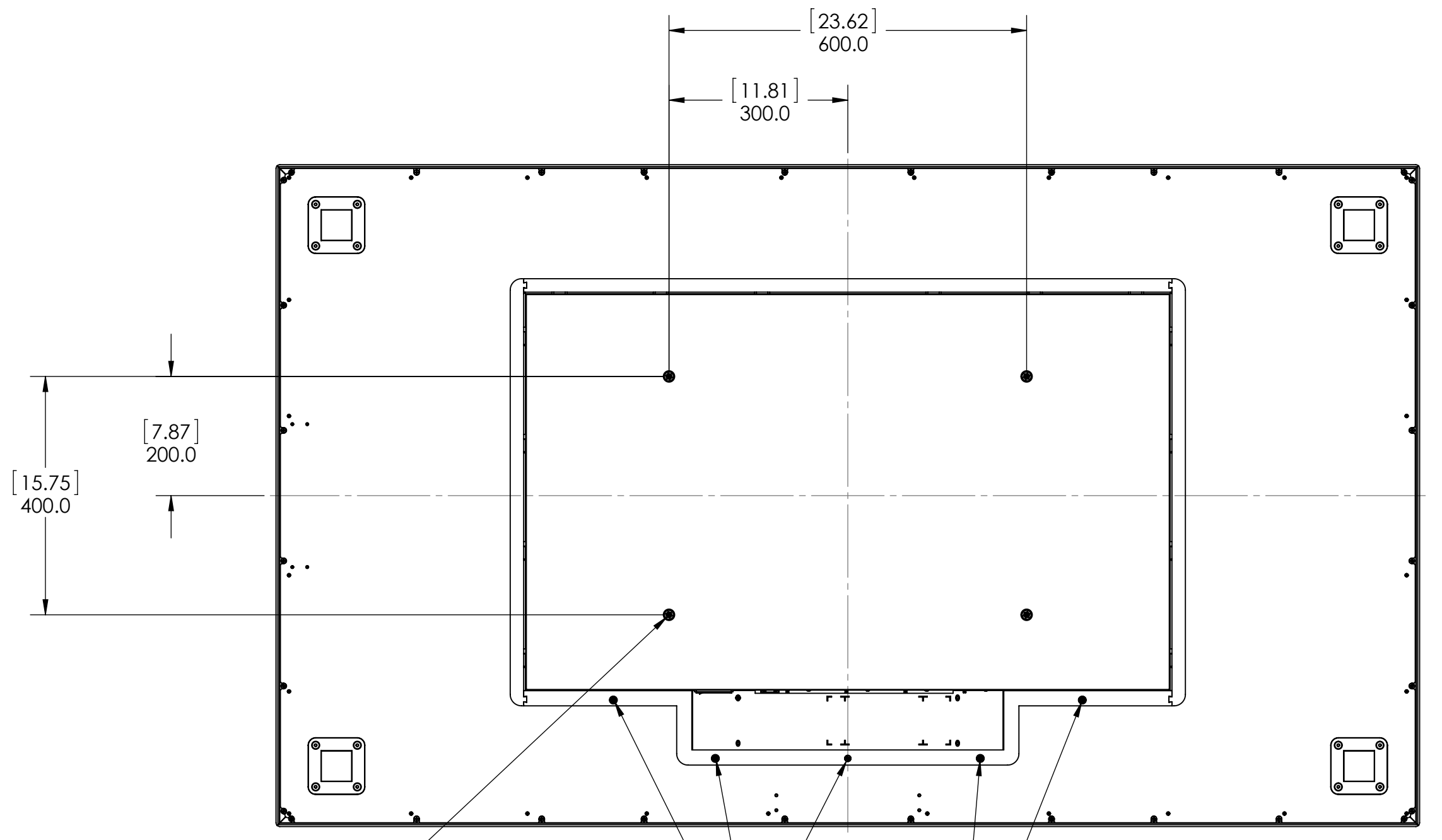
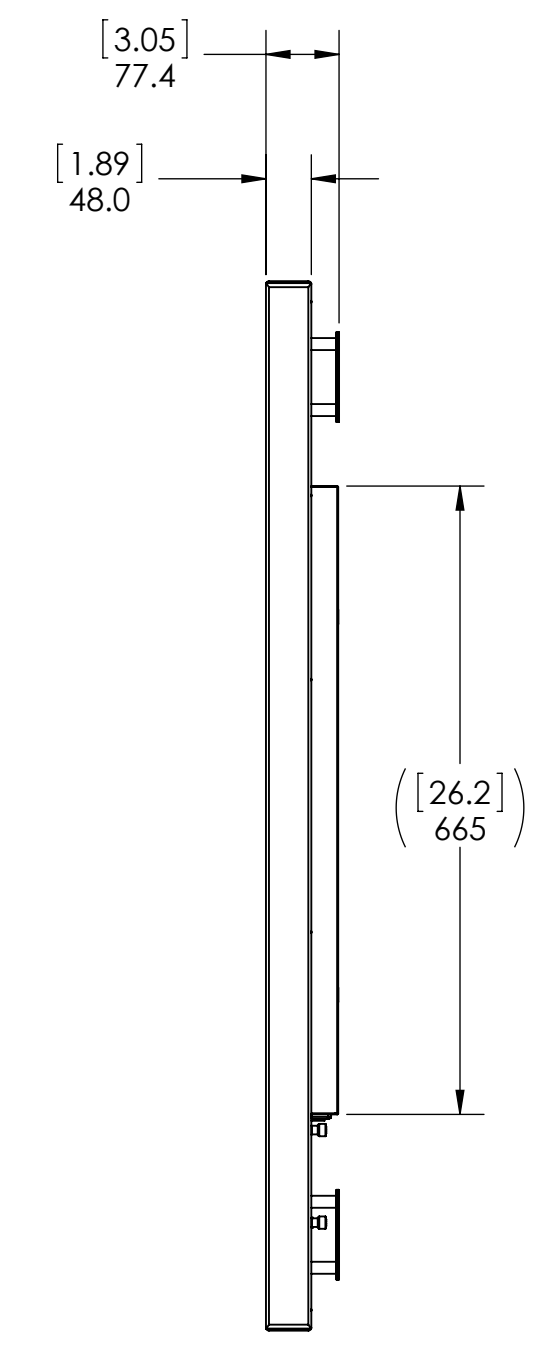
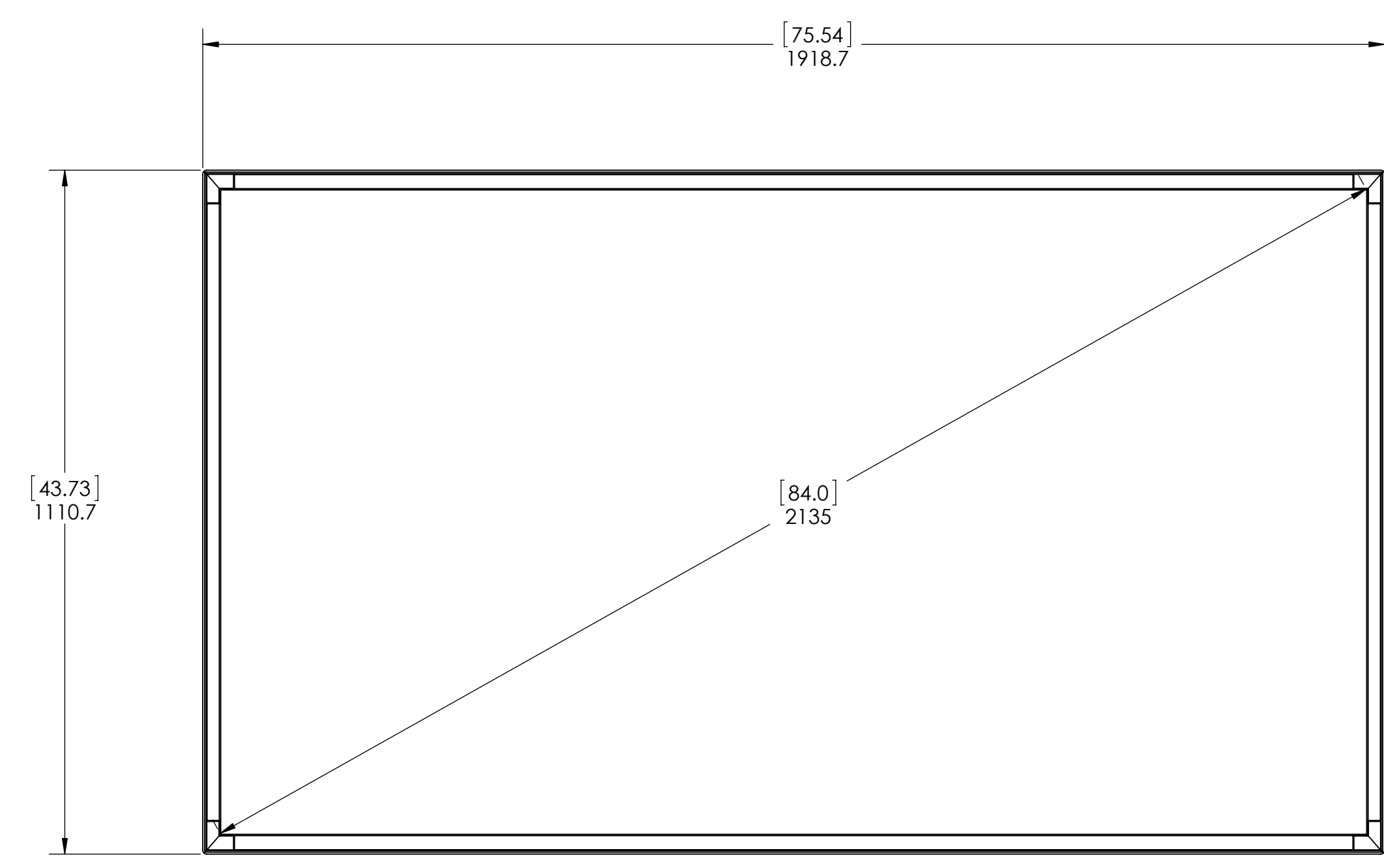
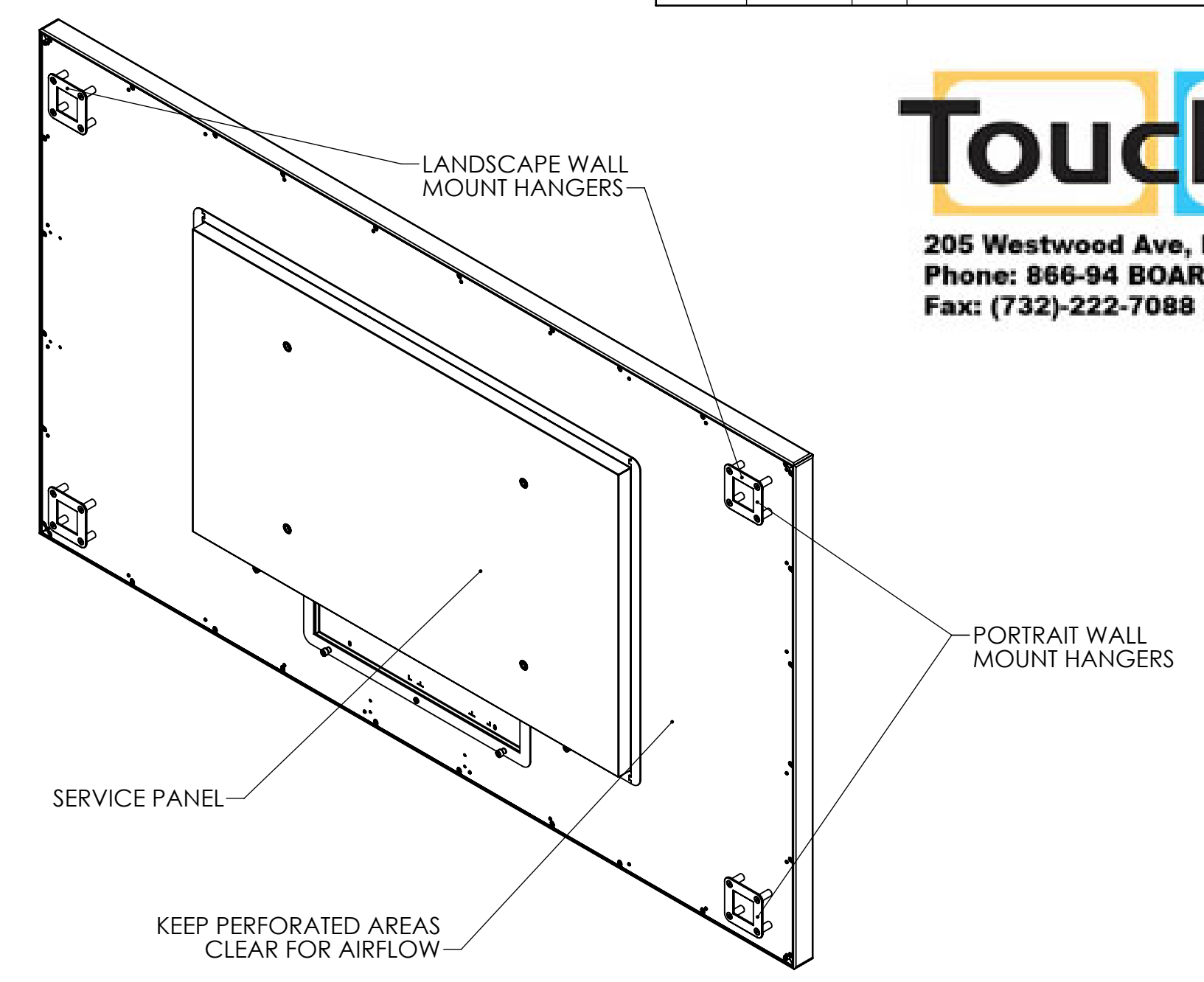
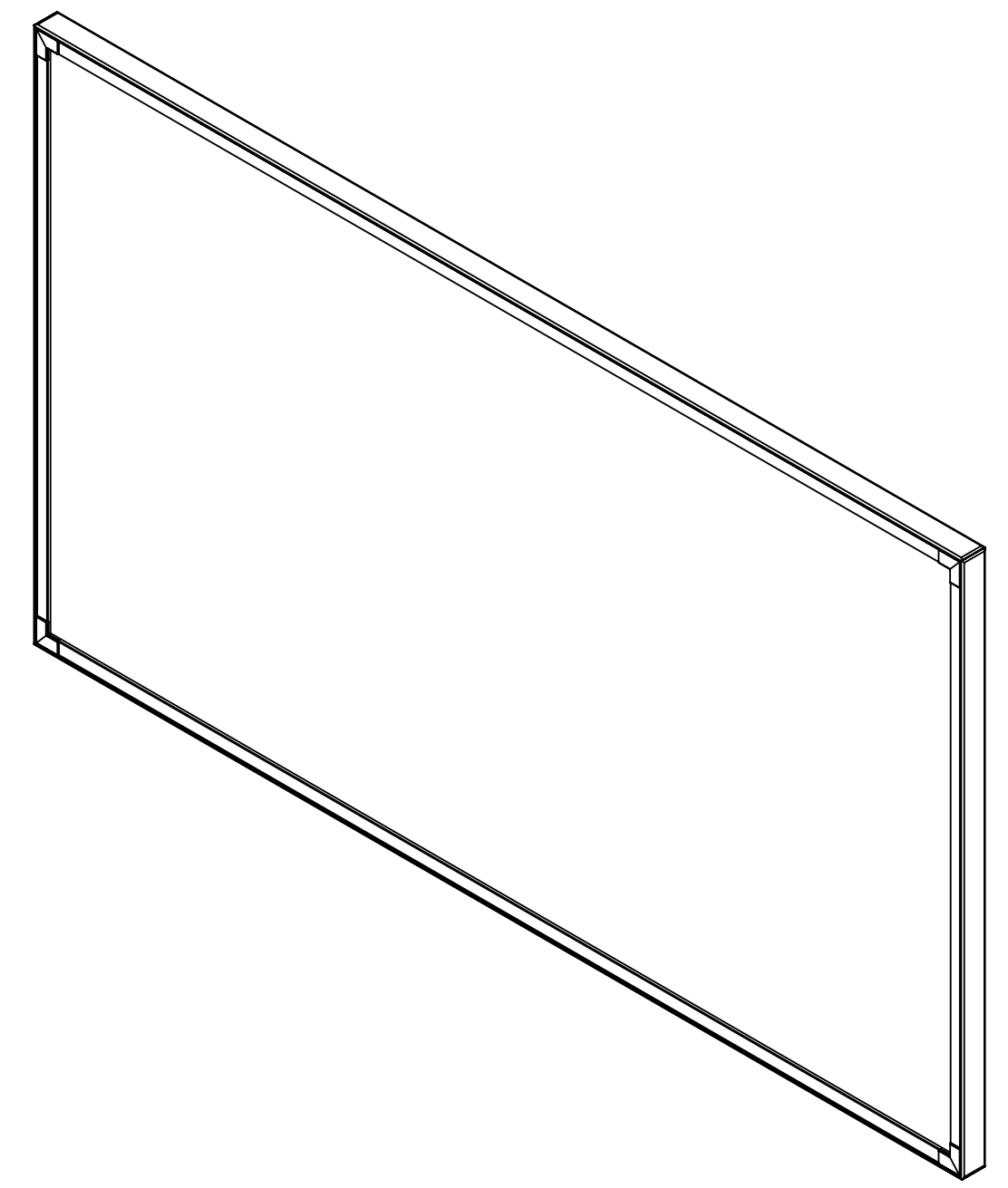
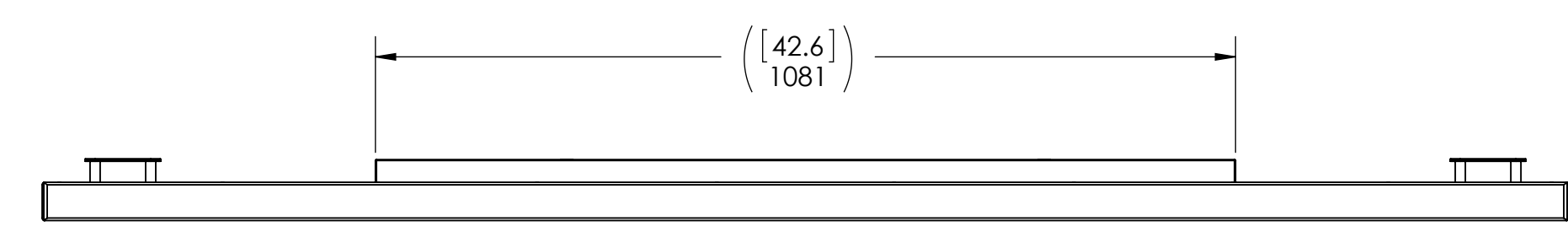
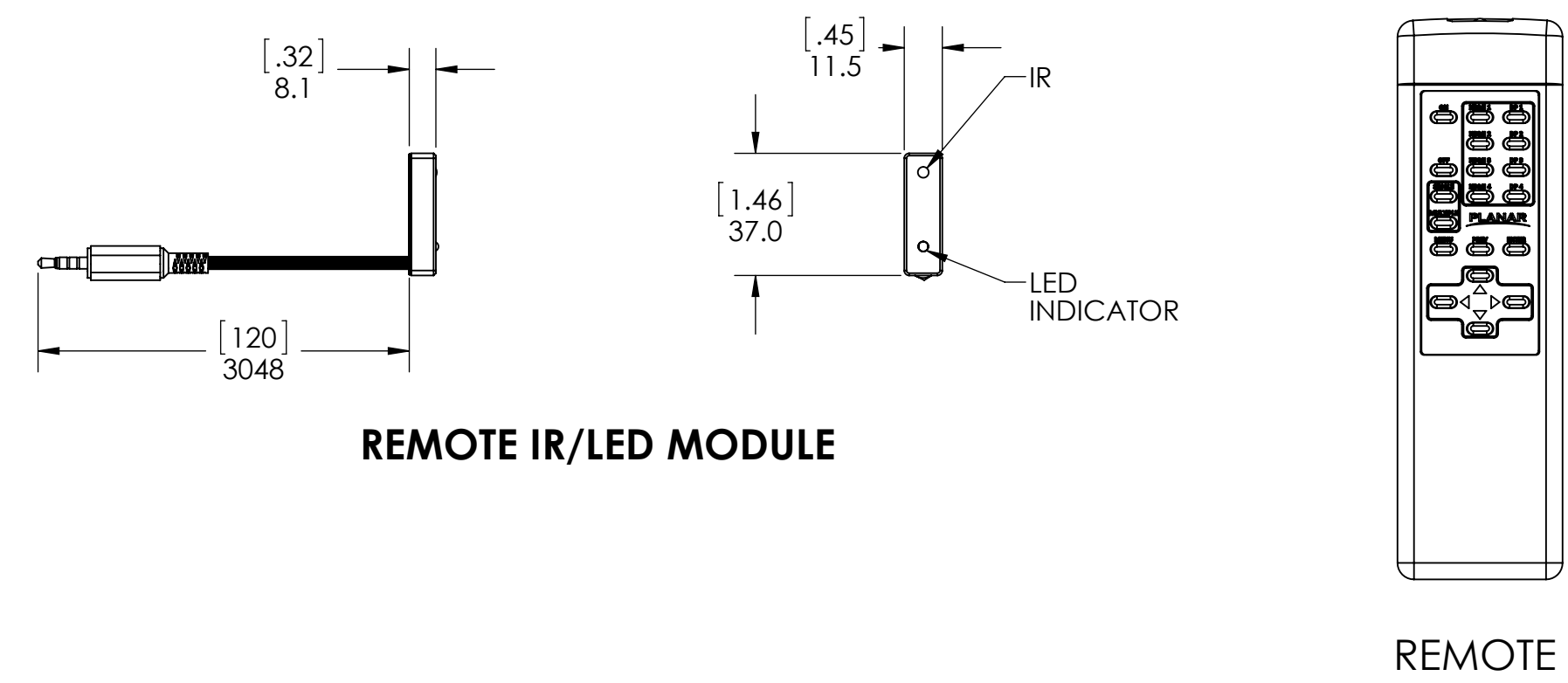


REVISION HISTORY					
ECO	ZONE	REV.	DESCRIPTION	DATE	APPR'D

**Touchboards**  
 205 Westwood Ave, Long Branch, NJ 07740  
 Phone: 866-94 BOARDS (26273) / (732)-222-1511  
 Fax: (732)-222-7088 | E-mail: sales@touchboards.com



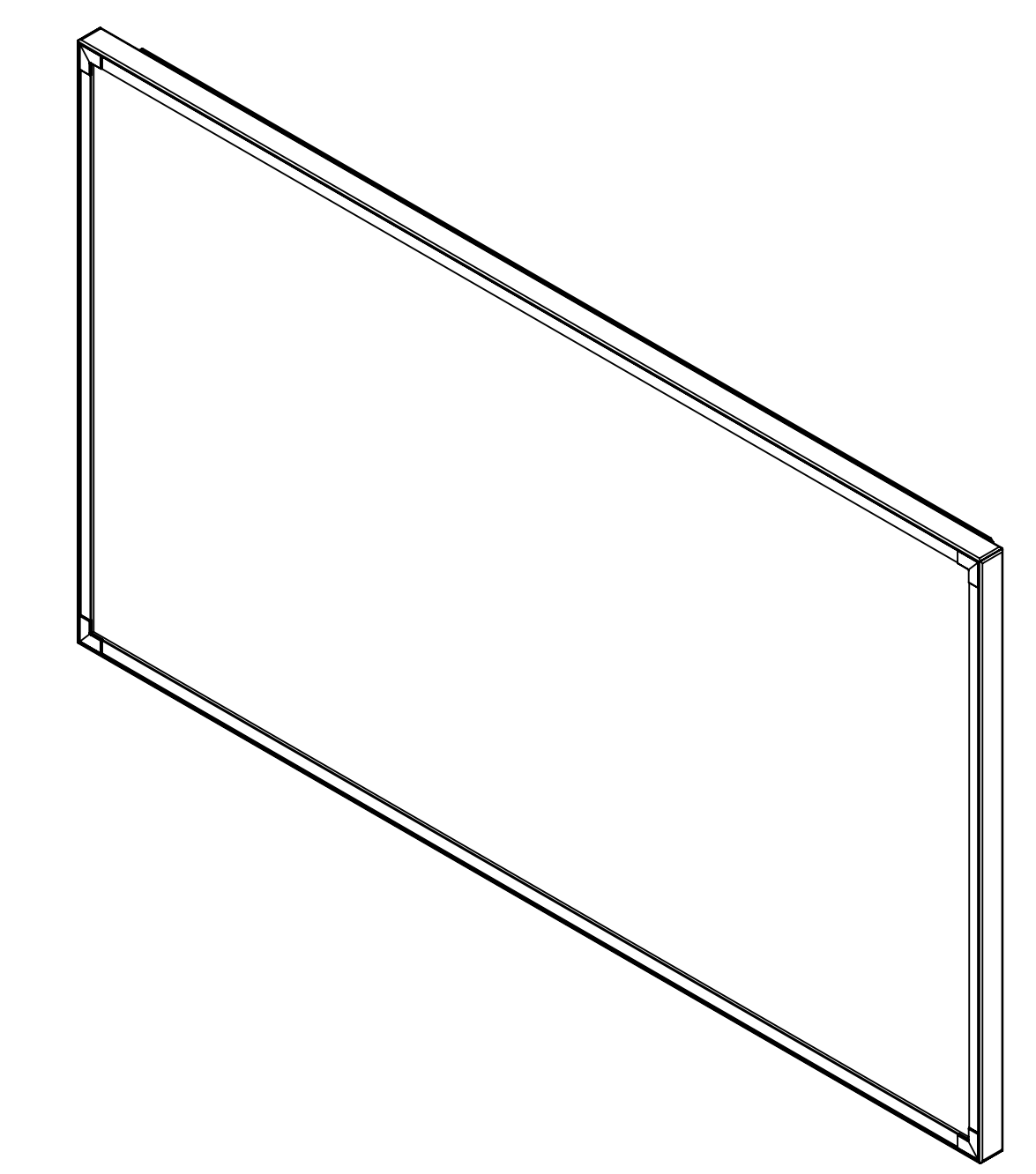
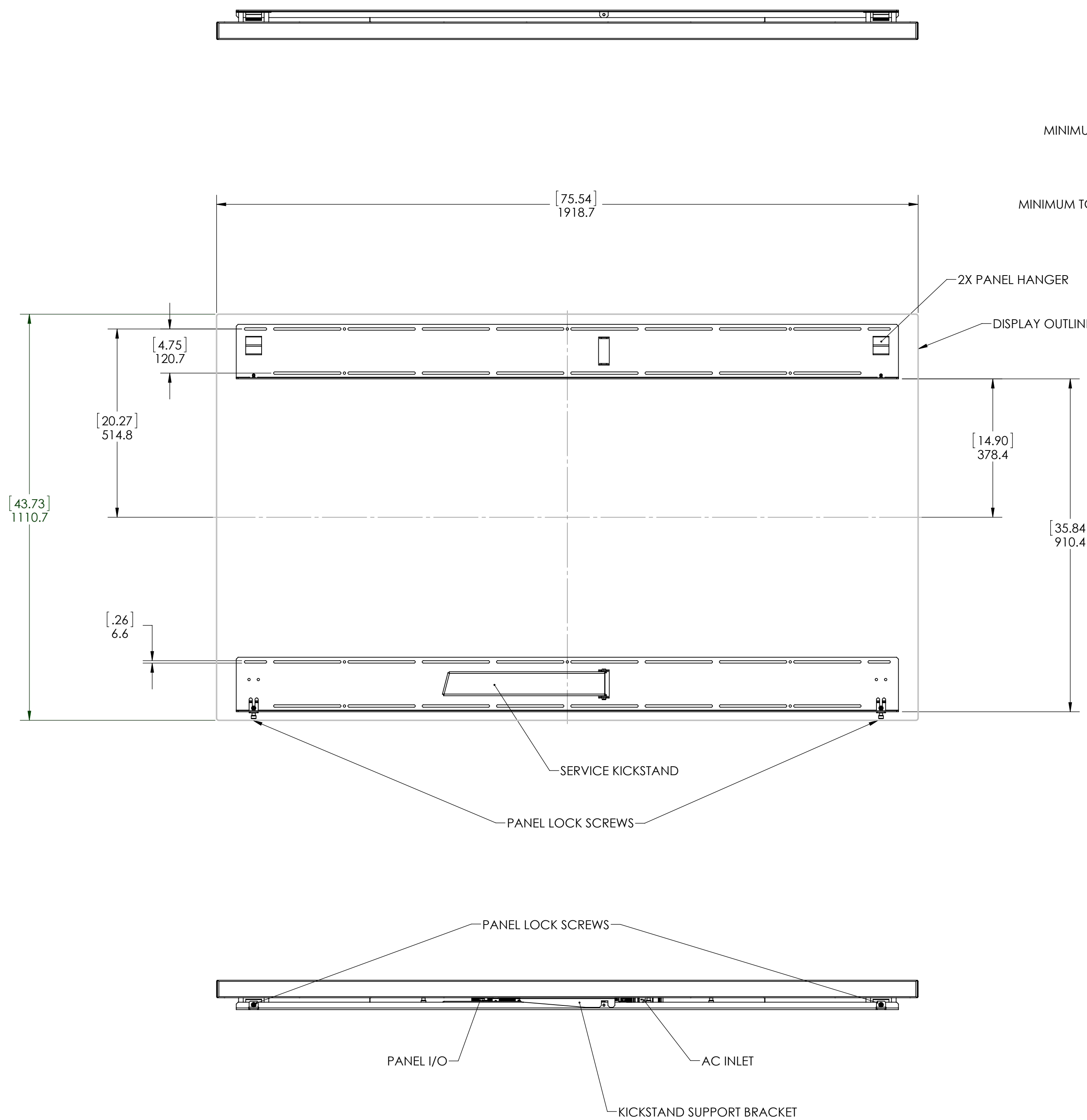
DETAIL A  
 SCALE 1 : 1.5  
 I/O PANEL

1. SPECIFICATIONS SUBJECT TO CHANGE WITHOUT NOTICE.  
 NOTES: UNLESS OTHERWISE SPECIFIED.

UNLESS OTHERWISE SPECIFIED DIMENSIONS ARE IN MILLIMETERS (INCHES)		ENGR BY EJS 07NOV12		PLANAR SYSTEMS, INC. 1195 NW COMPTON DRIVE BEAVERTON, OR 97008 USA
TOLERANCES:		DRAWN BY EJS 07NOV12		
X= ±1	XX= ±.25	CHECKED BY	TITLE <b>84" ULTRARES PANEL OUTLINE</b>	
.X= ±.5	∠= ±1°	USED ON	SIZE <b>D</b>	REV <b>A</b>
DIMENSIONING AND TOLERANCING PER ASME Y14.5M-1994		MATERIAL	SCALE 1:8	SHEET 1 OF 6
THIRD ANGLE PROJECTION		FINISH	DO NOT SCALE	

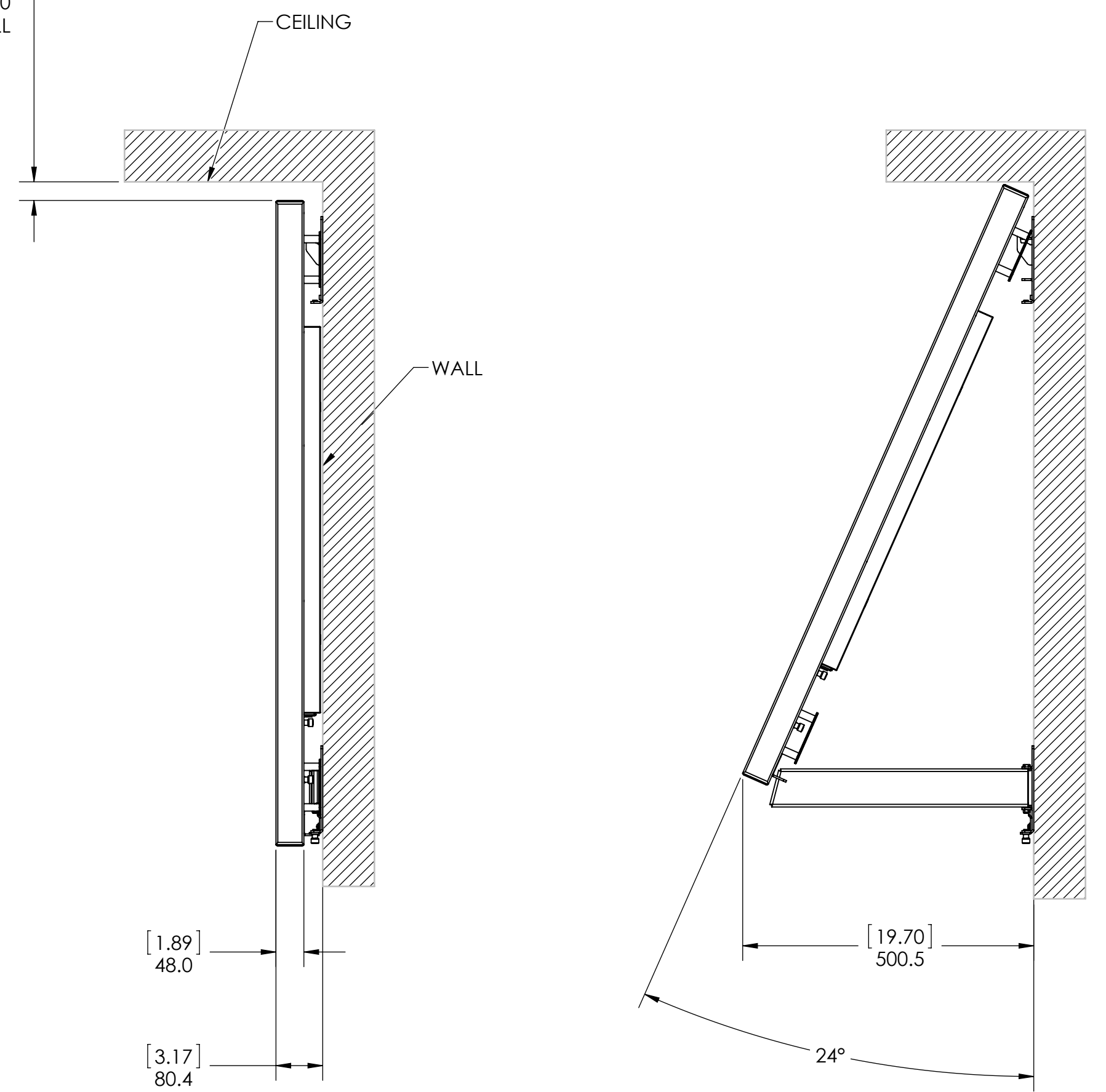
THIS DRAWING CONTAINS INFORMATION PROPRIETARY TO PLANAR SYSTEMS, INC. ANY REPRODUCTION IN PART OR WHOLE WITHOUT THE WRITTEN PERMISSION OF PLANAR SYSTEMS IS PROHIBITED. THIS DRAWING IS SUPPLIED FOR INFORMATION, IDENTIFICATION, ENGINEERING, EVALUATION, AND/OR INSPECTION PURPOSES ONLY AND MAY NOT BE USED AS BASIS FOR THE MANUFACTURING OF PRODUCTS OR THE FURNISHING OF SERVICES TO PLANAR SYSTEMS OR TO ANY THIRD PARTY UNLESS AUTHORIZED IN WRITING BY PLANAR SYSTEMS.

REVISION HISTORY					
ECO	ZONE	REV.	DESCRIPTION	DATE	APPR'D



[1.26]  
32.0  
MINIMUM STANDARD  
INSTALL

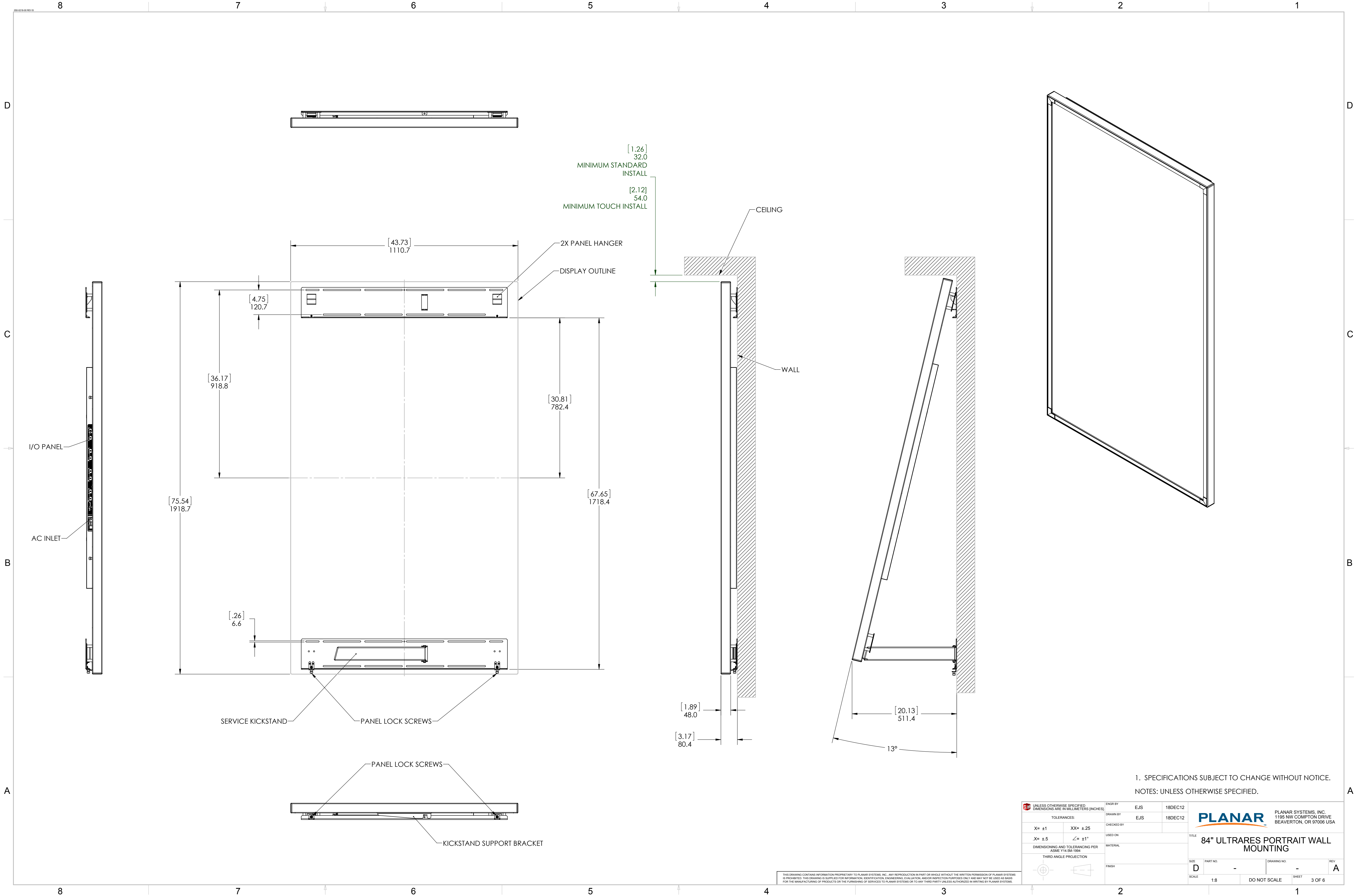
[2.12]  
54.0  
MINIMUM TOUCH INSTALL



1. SPECIFICATIONS SUBJECT TO CHANGE WITHOUT NOTICE.  
NOTES: UNLESS OTHERWISE SPECIFIED.

UNLESS OTHERWISE SPECIFIED DIMENSIONS ARE IN MILLIMETERS (INCHES)		ENGR BY EJS	18DEC12	 PLANAR SYSTEMS, INC. 1195 NW COMPTON DRIVE BEAVERTON, OR 97006 USA
TOLERANCES:		DRAWN BY EJS	18DEC12	
X= ±1	XX= ±.25	CHECKED BY		TITLE <b>84" ULTRARES LANDSCAPE WALL MOUNTING</b>
.X= ±.5	∠= ±1°	USED ON		SIZE D
DIMENSIONING AND TOLERANCING PER ASME Y14.5M-1994		MATERIAL		PART NO. -
THIRD ANGLE PROJECTION		FINISH		DRAWING NO. -
				REV A
SCALE 1:8	DO NOT SCALE	SHEET 2 OF 6		

THIS DRAWING CONTAINS INFORMATION PROPRIETARY TO PLANAR SYSTEMS, INC. ANY REPRODUCTION IN PART OR WHOLE WITHOUT THE WRITTEN PERMISSION OF PLANAR SYSTEMS, INC. IS PROHIBITED. THIS DRAWING IS SUPPLIED FOR INFORMATION, IDENTIFICATION, ENGINEERING, EVALUATION, AND/OR INSPECTION PURPOSES ONLY AND MAY NOT BE USED AS BASIS FOR THE MANUFACTURING OF PRODUCTS OR THE FURNISHING OF SERVICES TO PLANAR SYSTEMS OR TO ANY THIRD PARTY UNLESS AUTHORIZED IN WRITING BY PLANAR SYSTEMS.



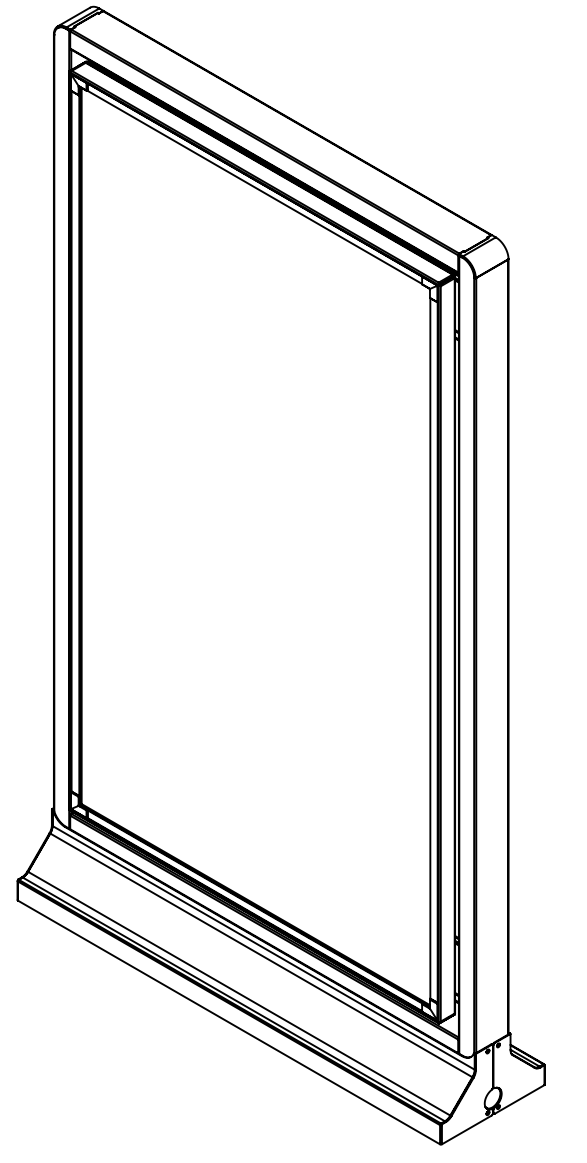
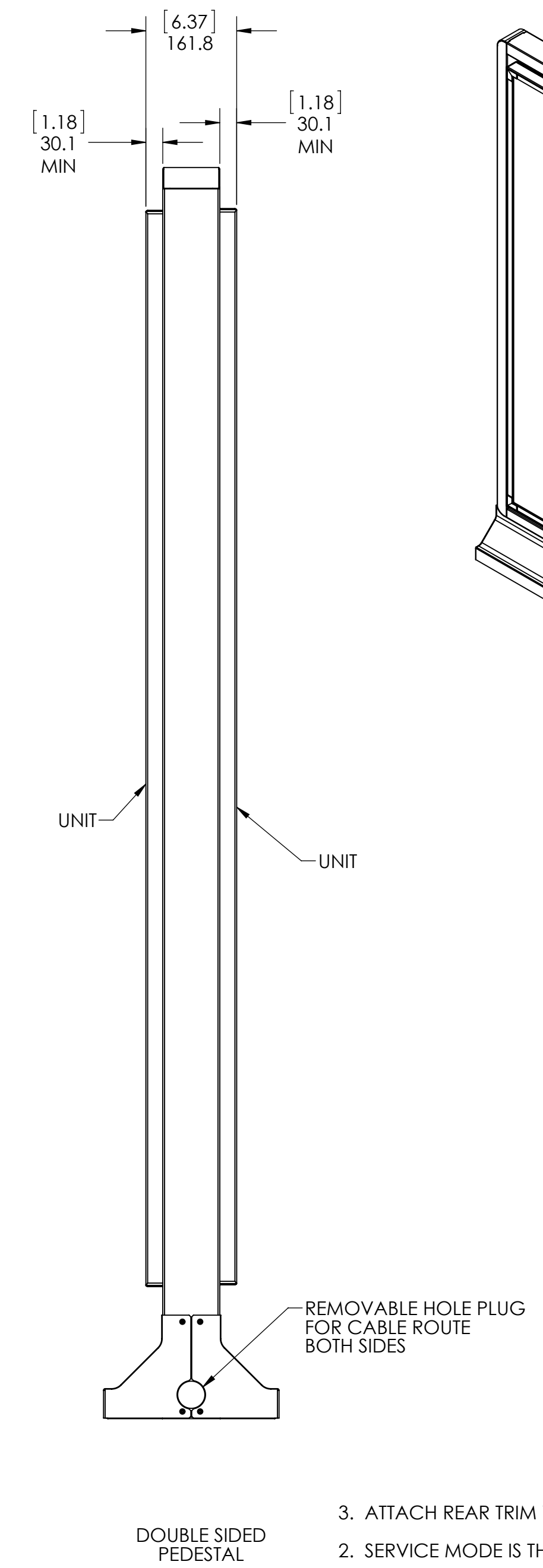
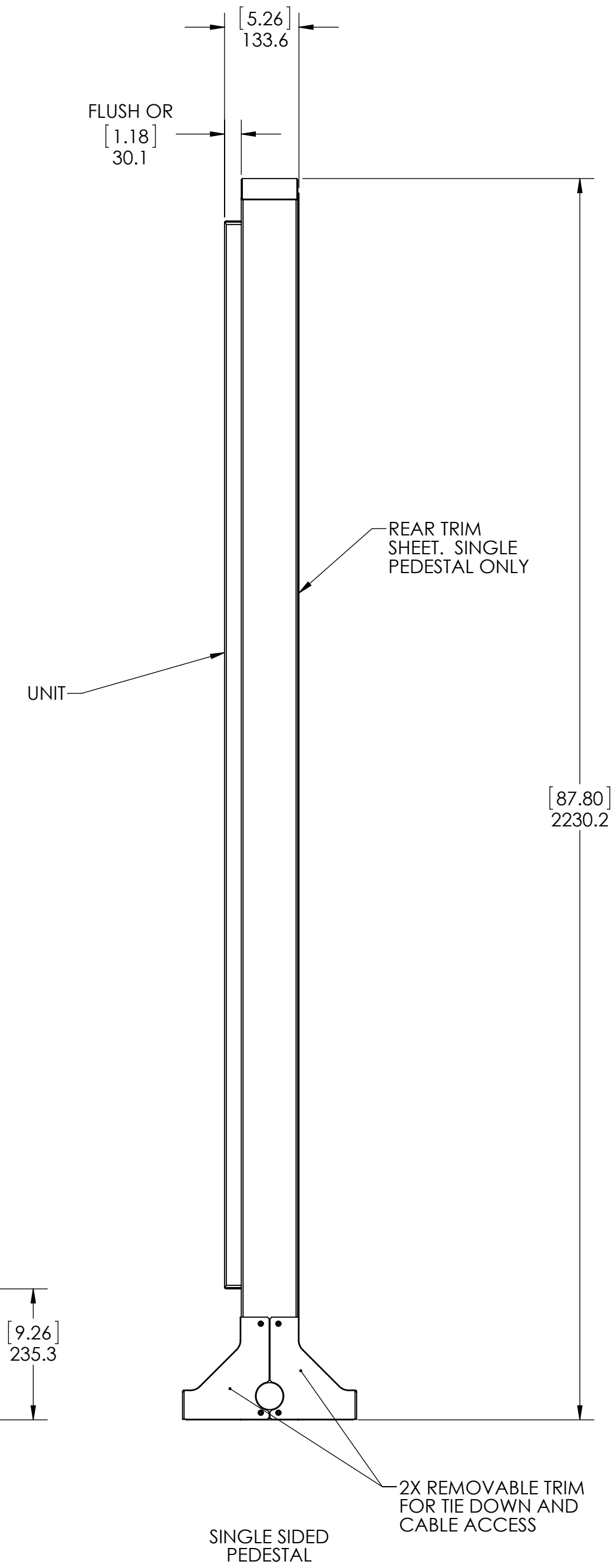
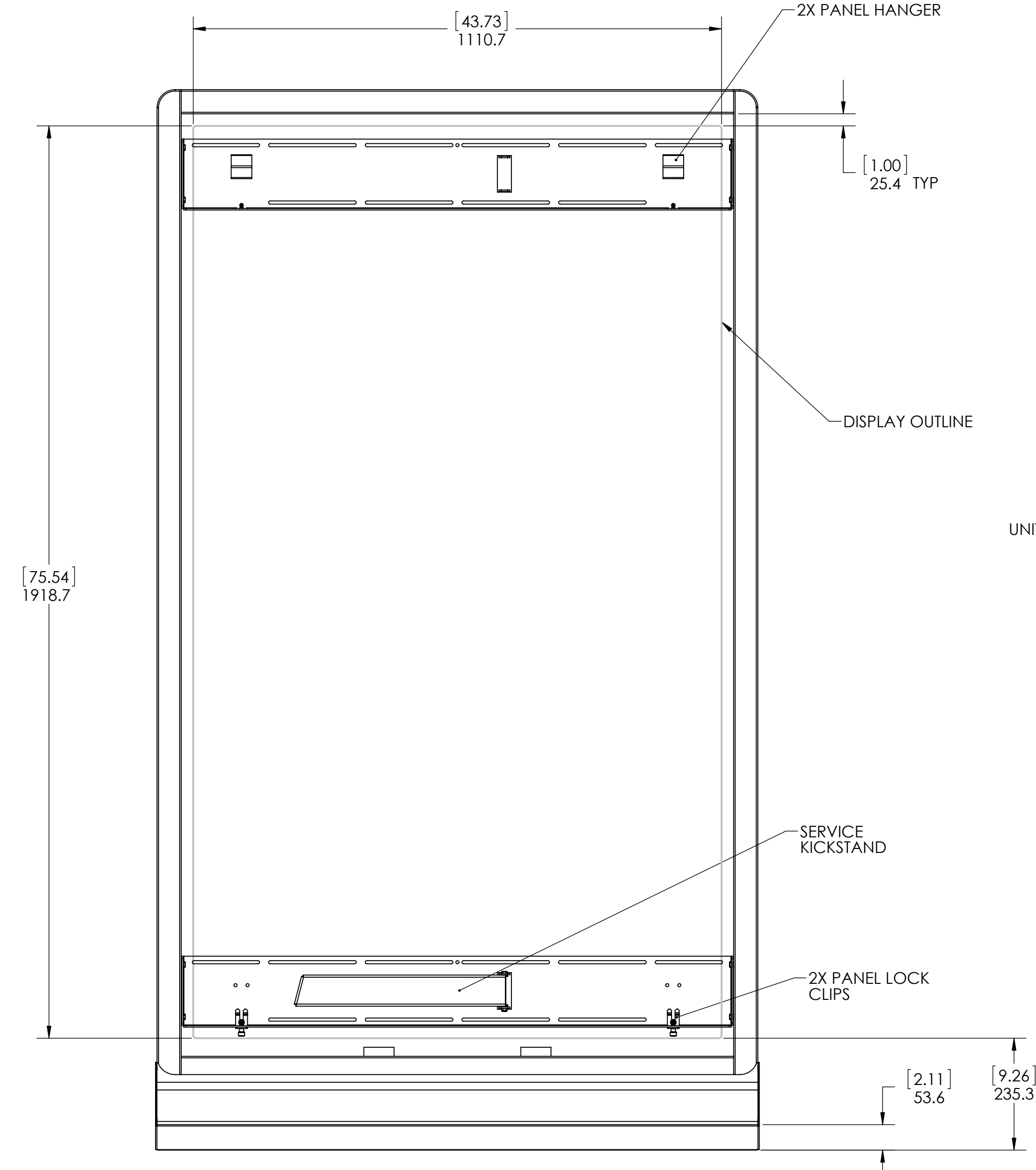
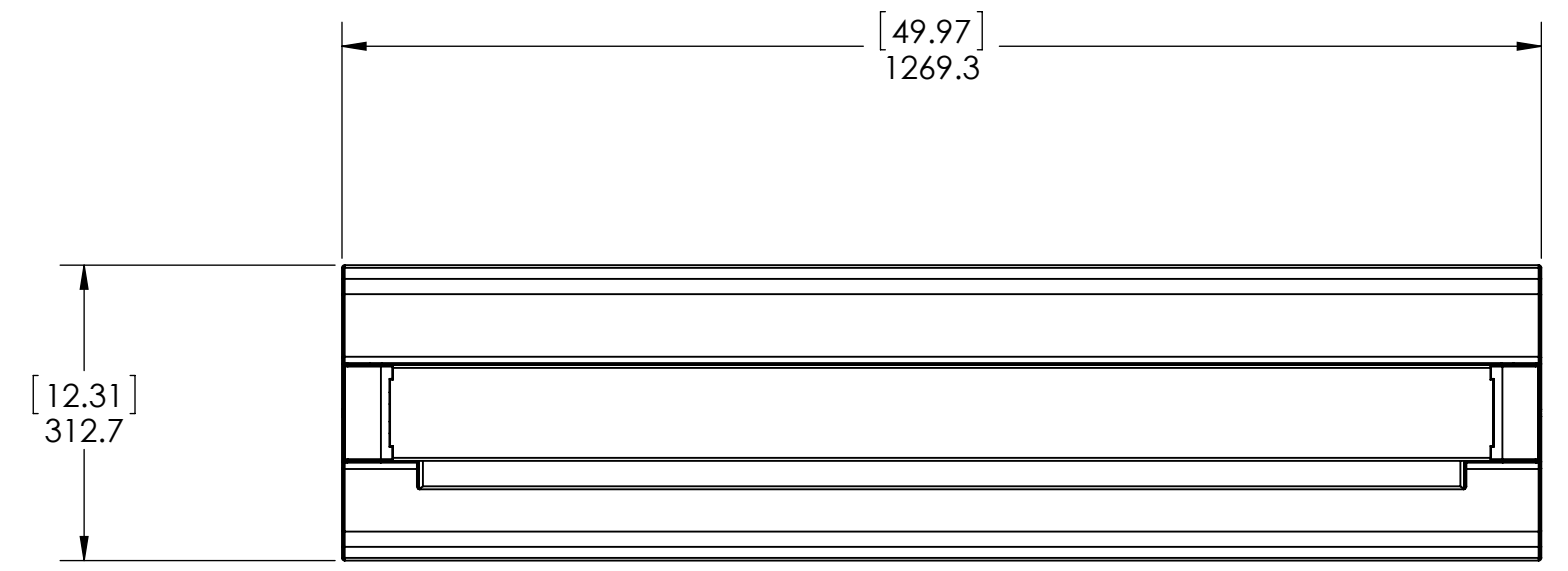
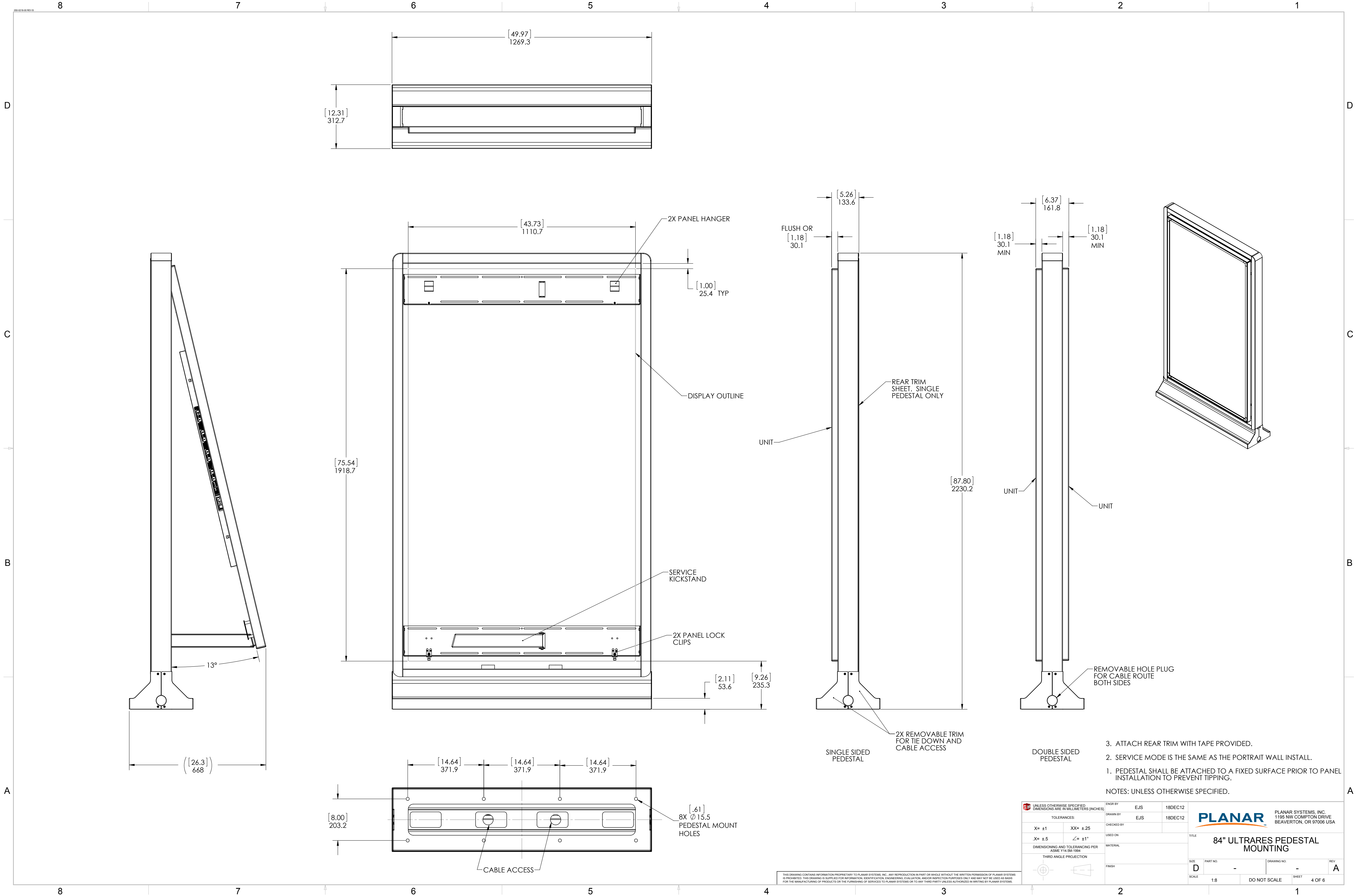
[1.26]  
32.0  
MINIMUM STANDARD  
INSTALL

[2.12]  
54.0  
MINIMUM TOUCH INSTALL

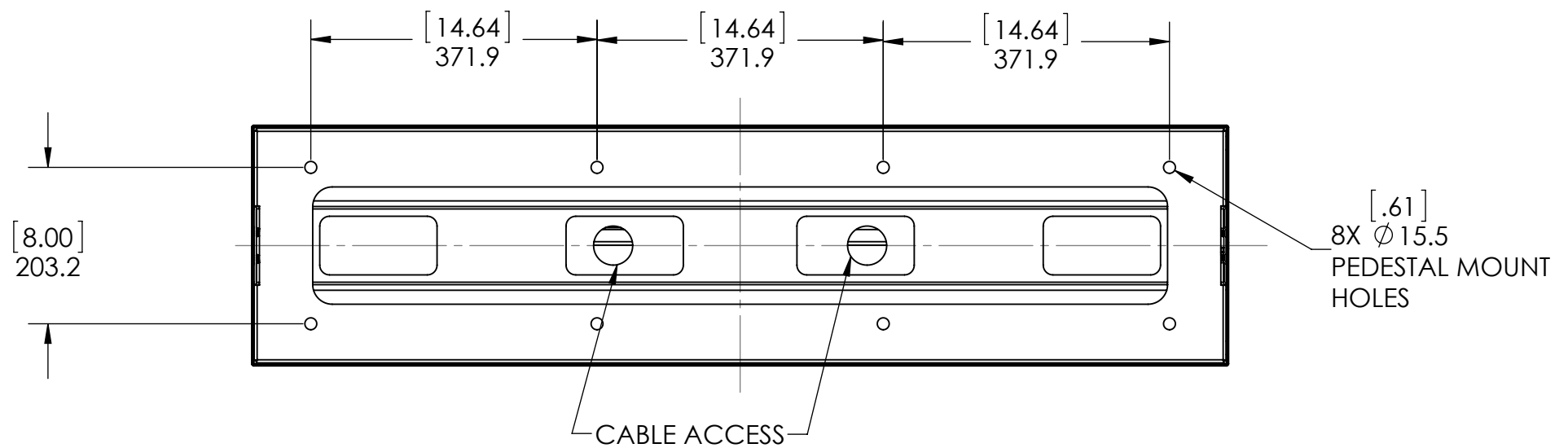
1. SPECIFICATIONS SUBJECT TO CHANGE WITHOUT NOTICE.  
NOTES: UNLESS OTHERWISE SPECIFIED.

UNLESS OTHERWISE SPECIFIED DIMENSIONS ARE IN MILLIMETERS (INCHES)		ENGR BY EJS	18DEC12		PLANAR SYSTEMS, INC. 1195 NW COMPTON DRIVE BEAVERTON, OR 97008 USA
TOLERANCES:		DRAWN BY EJS	18DEC12		
X= ±1	XX= ±.25	CHECKED BY		TITLE	84" ULTRARES PORTRAIT WALL MOUNTING
.X= ±.5	∠= ±1°	USED ON		SIZE	D
DIMENSIONING AND TOLERANCING PER ASME Y14.5M-1994		MATERIAL		PART NO.	-
THIRD ANGLE PROJECTION		FINISH		DRAWING NO.	-
				REV	A
SCALE	1:8	DO NOT SCALE		SHEET	3 OF 6

THIS DRAWING CONTAINS INFORMATION PROPRIETARY TO PLANAR SYSTEMS, INC. ANY REPRODUCTION IN PART OR WHOLE WITHOUT THE WRITTEN PERMISSION OF PLANAR SYSTEMS IS PROHIBITED. THIS DRAWING IS SUPPLIED FOR INFORMATION, IDENTIFICATION, ENGINEERING, EVALUATION, AND/OR INSPECTION PURPOSES ONLY AND MAY NOT BE USED AS BASIS FOR THE MANUFACTURING OF PRODUCTS OR THE FURNISHING OF SERVICES TO PLANAR SYSTEMS OR TO ANY THIRD PARTY UNLESS AUTHORIZED IN WRITING BY PLANAR SYSTEMS.

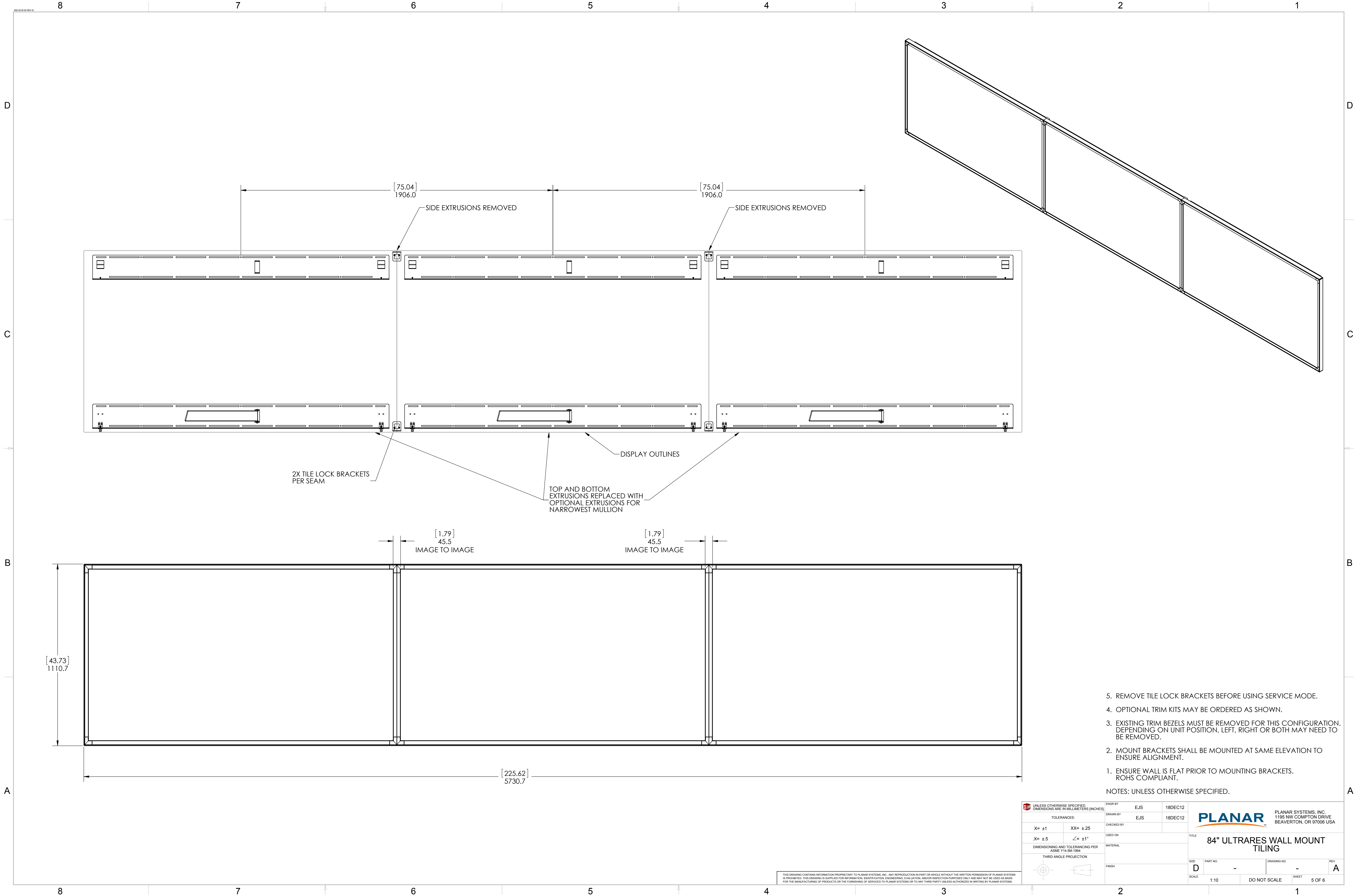


1. PEDESTAL SHALL BE ATTACHED TO A FIXED SURFACE PRIOR TO PANEL INSTALLATION TO PREVENT TIPPING.
  2. SERVICE MODE IS THE SAME AS THE PORTRAIT WALL INSTALL.
  3. ATTACH REAR TRIM WITH TAPE PROVIDED.
- NOTES: UNLESS OTHERWISE SPECIFIED.



UNLESS OTHERWISE SPECIFIED, DIMENSIONS ARE IN MILLIMETERS (INCHES)		ENGR BY EJS	18DEC12	 <small>PLANAR SYSTEMS, INC. 1195 NW COMPTON DRIVE BEAVERTON, OR 97006 USA</small>
TOLERANCES:		DRAWN BY EJS	18DEC12	
X = ±1	XX = ±.25	CHECKED BY		TITLE <b>84" ULTRARES PEDESTAL MOUNTING</b>
.X = ±.5	∠ = ±1°	USED ON		SIZE D
DIMENSIONING AND TOLERANCING PER ASME Y14.5M-1994		MATERIAL		PART NO. -
THIRD ANGLE PROJECTION		FINISH		DRAWING NO. -
				REV A
SCALE 1:8	DO NOT SCALE	SHEET 4 OF 6		

THIS DRAWING CONTAINS INFORMATION PROPRIETARY TO PLANAR SYSTEMS, INC. ANY REPRODUCTION IN PART OR WHOLE WITHOUT THE WRITTEN PERMISSION OF PLANAR SYSTEMS IS PROHIBITED. THIS DRAWING IS SUPPLIED FOR INFORMATION, IDENTIFICATION, ENGINEERING, EVALUATION, AND/OR INSPECTION PURPOSES ONLY AND MAY NOT BE USED AS BASIS FOR THE MANUFACTURING OF PRODUCTS OR THE FURNISHING OF SERVICES TO PLANAR SYSTEMS OR TO ANY THIRD PARTY UNLESS AUTHORIZED IN WRITING BY PLANAR SYSTEMS.



5. REMOVE TILE LOCK BRACKETS BEFORE USING SERVICE MODE.
  4. OPTIONAL TRIM KITS MAY BE ORDERED AS SHOWN.
  3. EXISTING TRIM BEZELS MUST BE REMOVED FOR THIS CONFIGURATION. DEPENDING ON UNIT POSITION, LEFT, RIGHT OR BOTH MAY NEED TO BE REMOVED.
  2. MOUNT BRACKETS SHALL BE MOUNTED AT SAME ELEVATION TO ENSURE ALIGNMENT.
  1. ENSURE WALL IS FLAT PRIOR TO MOUNTING BRACKETS. ROHS COMPLIANT.
- NOTES: UNLESS OTHERWISE SPECIFIED.

UNLESS OTHERWISE SPECIFIED, DIMENSIONS ARE IN MILLIMETERS (INCHES)		ENGR BY EJS	18DEC12		PLANAR SYSTEMS, INC. 1195 NW COMPTON DRIVE BEAVERTON, OR 97008 USA
TOLERANCES:		DRAWN BY EJS	18DEC12		
X= ±1	XX= ±.25	CHECKED BY		TITLE	84" ULTRARES WALL MOUNT TILING
.X= ±.5	∠= ±1°	USED ON		SIZE	D
DIMENSIONING AND TOLERANCING PER ASME Y14.5M-1994		MATERIAL		PART NO.	-
THIRD ANGLE PROJECTION		FINISH		DRAWING NO.	-
				REV	A
		SCALE	1:10	DO NOT SCALE	SHEET 5 OF 6

THIS DRAWING CONTAINS INFORMATION PROPRIETARY TO PLANAR SYSTEMS, INC. ANY REPRODUCTION IN PART OR WHOLE WITHOUT THE WRITTEN PERMISSION OF PLANAR SYSTEMS IS PROHIBITED. THIS DRAWING IS SUPPLIED FOR INFORMATION, IDENTIFICATION, ENGINEERING, EVALUATION, AND/OR INSPECTION PURPOSES ONLY AND MAY NOT BE USED AS BASIS FOR THE MANUFACTURING OF PRODUCTS OR THE FURNISHING OF SERVICES TO PLANAR SYSTEMS OR TO ANY THIRD PARTY UNLESS AUTHORIZED IN WRITING BY PLANAR SYSTEMS.

8 7 6 5 4 3 2 1

D

D

C

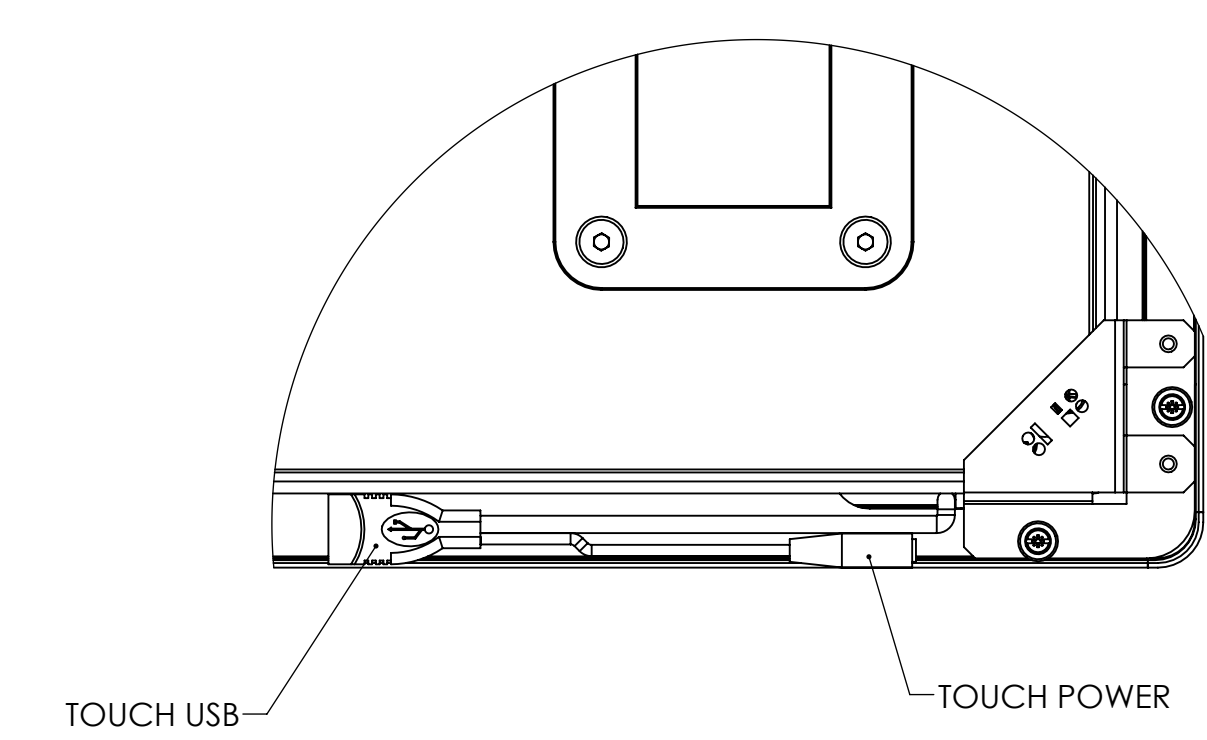
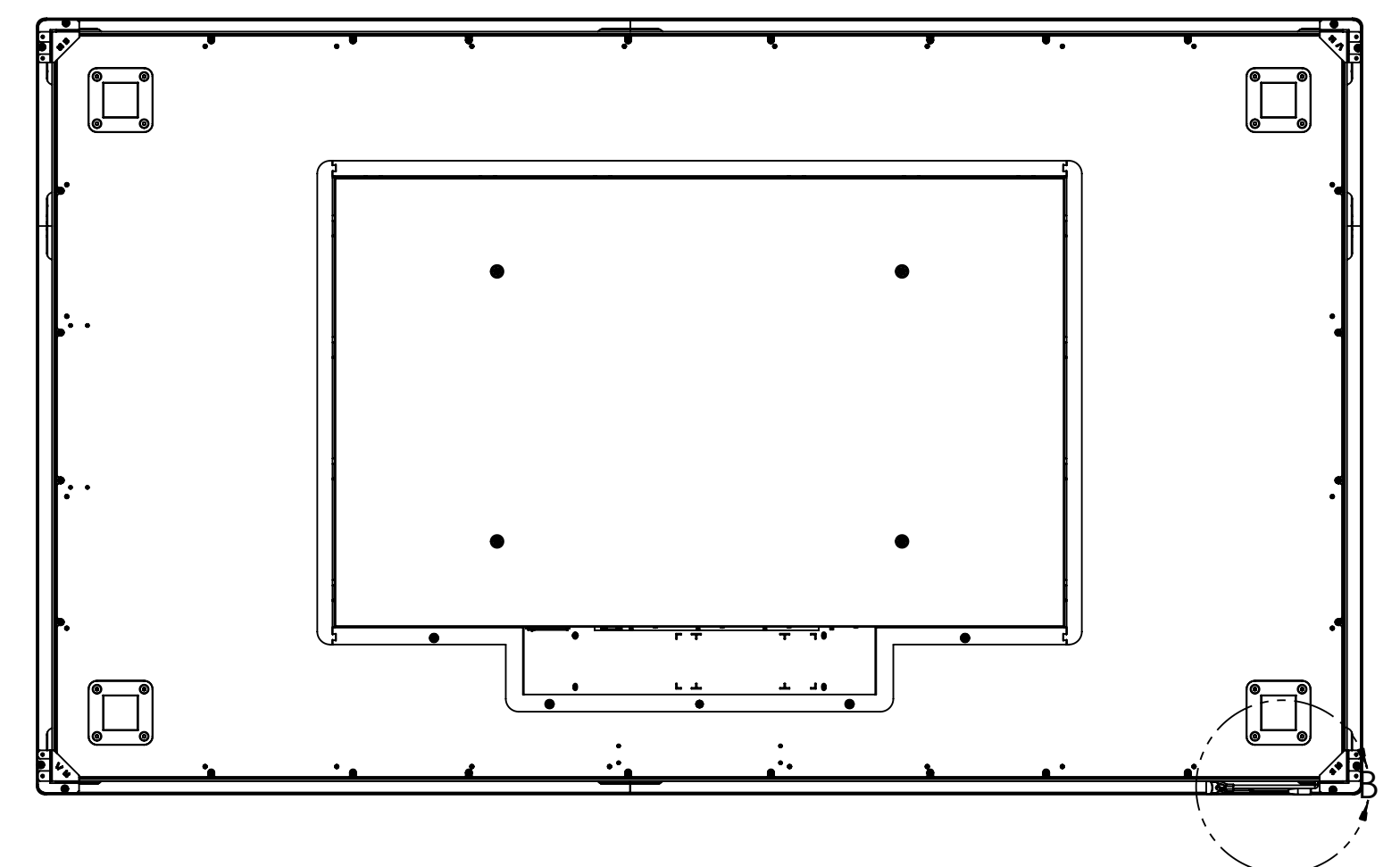
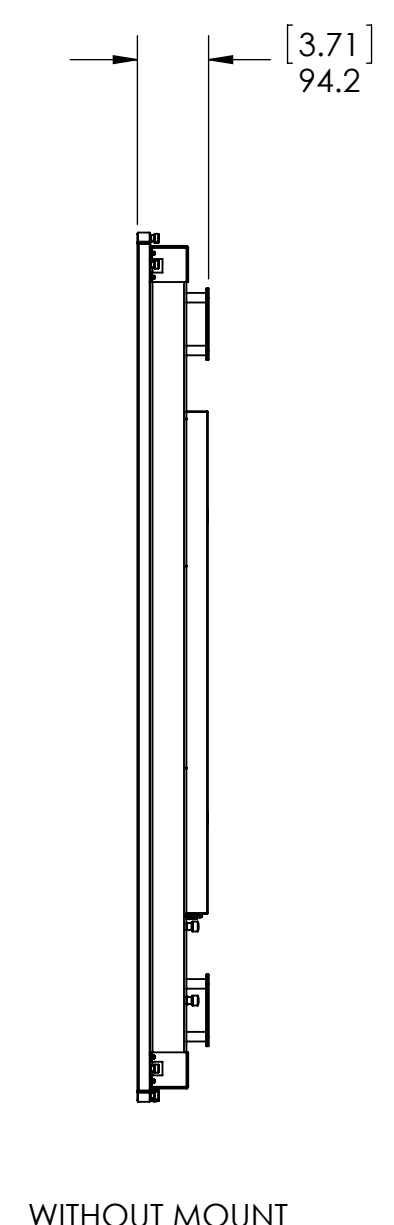
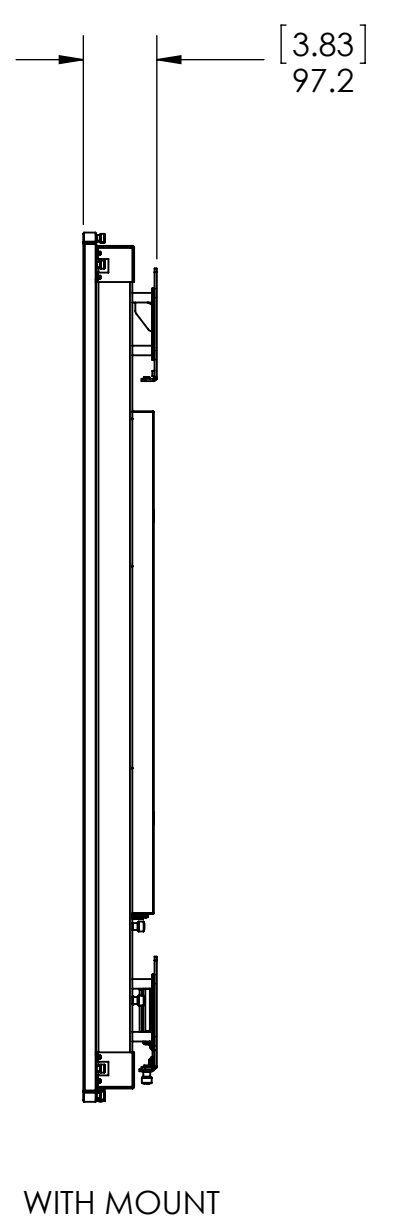
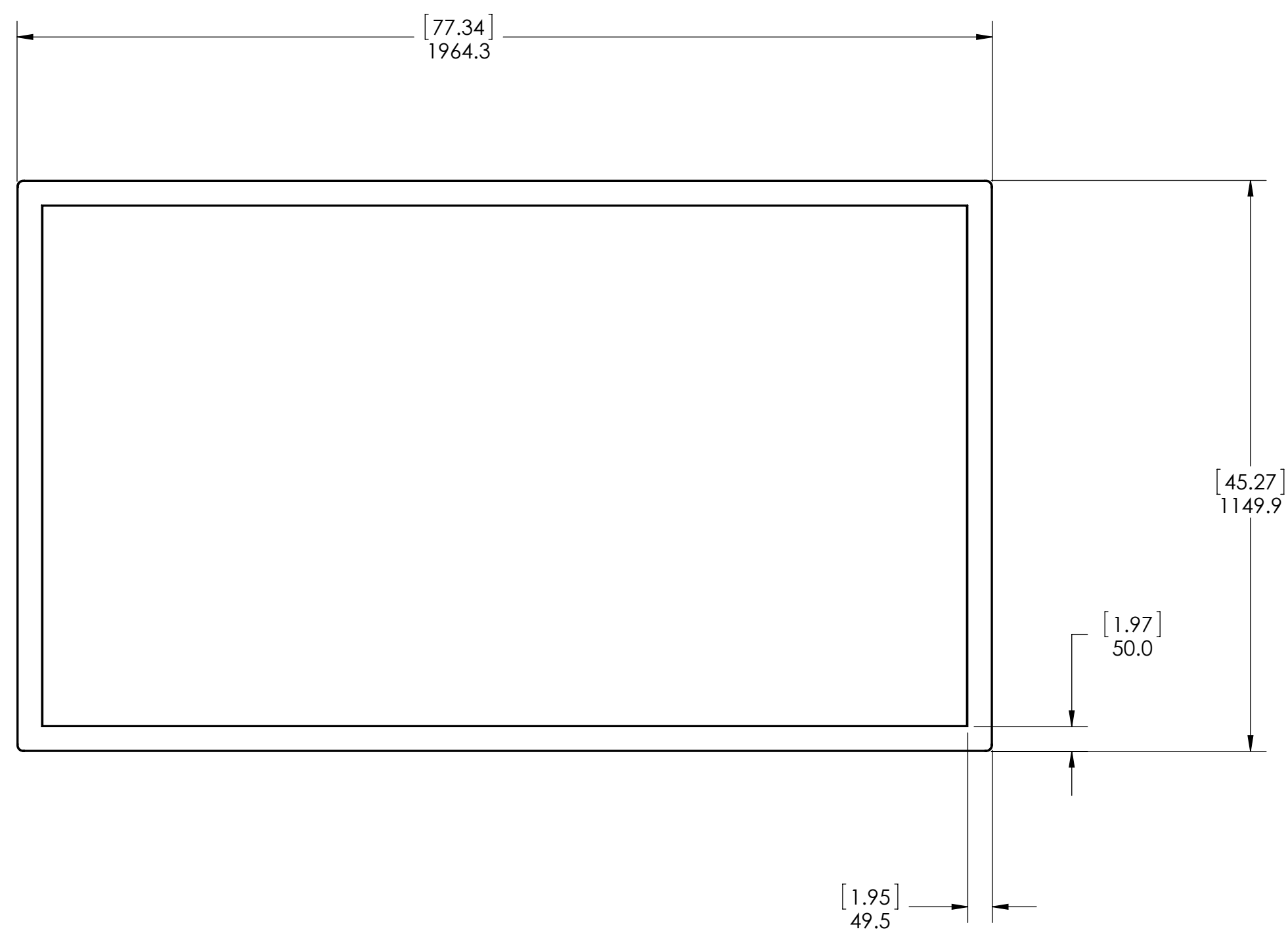
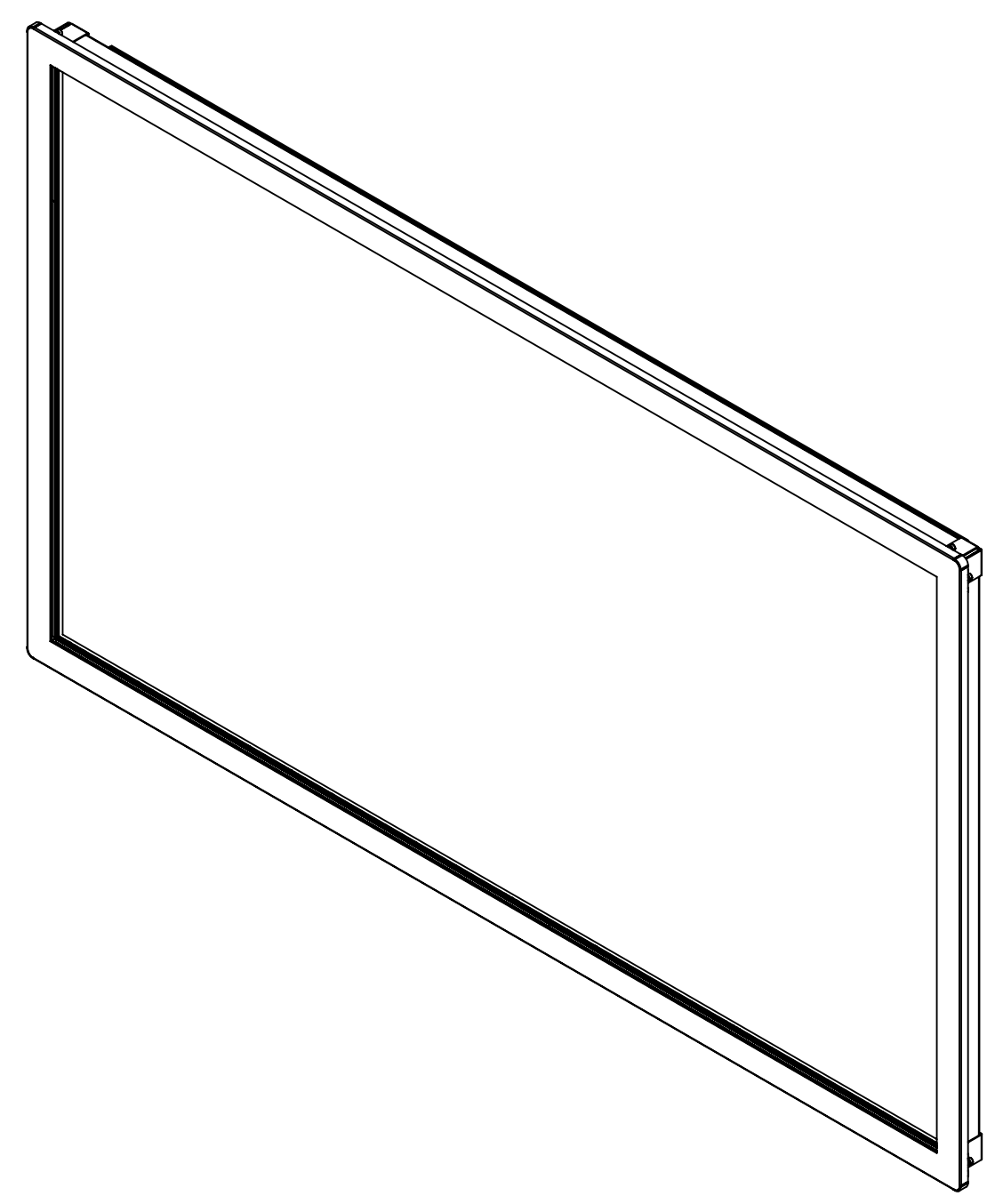
C

B

B

A

A



- 2. USE PROVIDED POWER MODULE FOR TOUCH SYSTEM.
  - 1. SPECIFICATIONS SUBJECT TO CHANGE WITHOUT NOTICE.
- NOTES: UNLESS OTHERWISE SPECIFIED.



**205 Westwood Ave, Long Branch, NJ 07740**  
**Phone: 866-94 BOARDS (26273) / (732)-222-1511**  
**Fax: (732)-222-7088 | E-mail: sales@touchboards.com**

UNLESS OTHERWISE SPECIFIED, DIMENSIONS ARE IN MILLIMETERS (INCHES)		ENGR BY EJS	14MAY13		PLANAR SYSTEMS, INC. 1195 NW COMPTON DRIVE BEAVERTON, OR 97006 USA
TOLERANCES:		DRAWN BY EJS	14MAY13		
X= ±1	XX= ±.25	CHECKED BY		TITLE <b>84" ULTRARES WITH TOUCH</b>	
.X= ±.5	∠= ±1°	USED ON		SIZE D	PART NO. -
DIMENSIONING AND TOLERANCING PER ASME Y14.5M-1994		MATERIAL		DRAWING NO. -	REV A
THIRD ANGLE PROJECTION		FINISH		SCALE 1:10	DO NOT SCALE
				SHEET 6 OF 6	

THIS DRAWING CONTAINS INFORMATION PROPRIETARY TO PLANAR SYSTEMS, INC. ANY REPRODUCTION IN PART OR WHOLE WITHOUT THE WRITTEN PERMISSION OF PLANAR SYSTEMS IS PROHIBITED. THIS DRAWING IS SUPPLIED FOR INFORMATION, IDENTIFICATION, ENGINEERING, EVALUATION, AND/OR INSPECTION PURPOSES ONLY AND MAY NOT BE USED AS BASIS FOR THE MANUFACTURING OF PRODUCTS OR THE FURNISHING OF SERVICES TO PLANAR SYSTEMS OR TO ANY THIRD PARTY UNLESS AUTHORIZED IN WRITING BY PLANAR SYSTEMS.

8 7 6 5 4 3 2 1