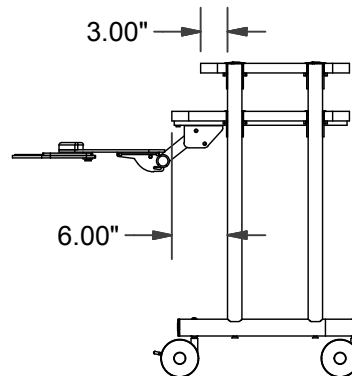
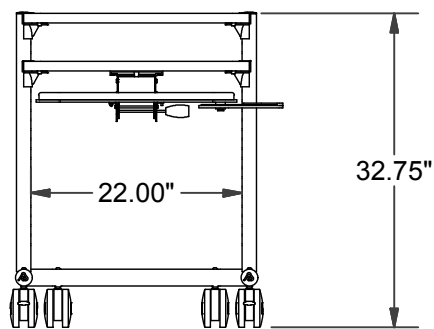
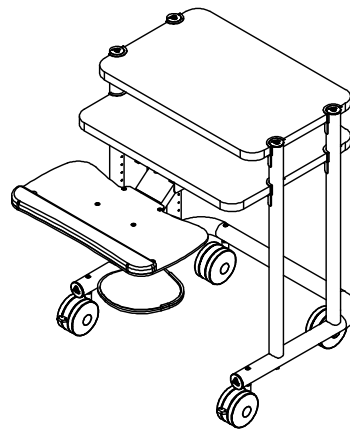
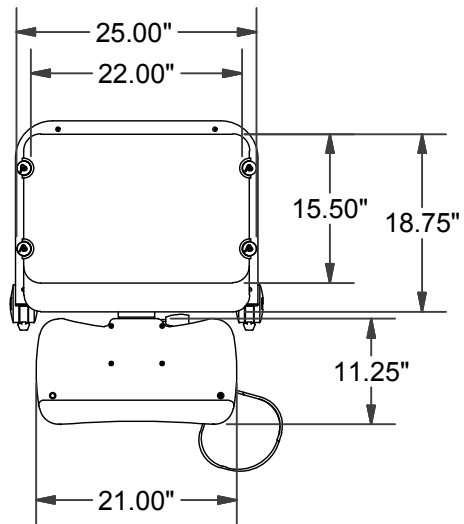


Touchboards

205 Westwood Ave, Long Branch, NJ 07740
 Phone: 866-94 BOARDS (26273) / (732)-222-1511
 Fax: (732)-222-7088 | E-mail: sales@touchboards.com



Revisions

PARTS SHOWN NOT TO SCALE

This document contains proprietary information of Anthro Corporation
 Copyright 2004 Anthro Corporation
 All Rights Reserved

Tolerance
 .XX ± .025
 .XXX ± .015
 .XXXX ± .0150
 Angular X ± 1°



anthro.com

Part Description:
**ULTRA COMPACT CART
 W/UKMCBK BLACK 4"**

Anthro Part Number:

075xx4

Prototype #:

Surface Area:

Material:

Drawn By: *Daniel*

Rev

Date: 8/3/2004