

Smart Interactive Display

MW3586-U-E



Key Features

- 4K UHD anti-glare display delivers images with extreme detail.
- Zero bonding technology between lcd panel and cover glass brings brighter viewing and smoother touching experience.
- Ultra-narrow and equal-width bezel design for perfect aesthetics.
- Minimalist geometric line design and smooth border outline, elegant and attractive.
- 8MP professional HD camera for more immersive remote collaboration.
- Omni-directional 8-array microphone, 8m pickup distance, zero communication distance.
- Dual Wi-Fi modules with both Wi-Fi and hotspot support.
- Dual-channel, 6-array speaker brings high-quality surround sound.
- High-precision infrared touch technology allows up to 20-point touch, realizing smooth co-authoring.
- Bluetooth 5.2 offers higher data transmission rate, and lower power consumption.
- 4K UI, mobile-level operation, just like use a mobile phone.
- A variety of quick tools, such as annotation, screenshot, etc., improve usability and interaction efficiency.
- Wireless screen mirroring from various operating systems such as Android, iOS and Windows to the display with one touch.
- Fast file transfer. Allows users to quickly transfer files to the display via a QR code.
- OTA remote upgrade. The system can be upgraded online without backing up data.

Specifications

Smart interactive display

| | |
|---------------------------------|--|
| Model | MW3586-U-E |
| Panel | |
| Backlight | DLED |
| Panel size | 86 inches |
| Resolution | 3840*2160 |
| Brightness (cd/m ²) | 350 |
| Contrast ratio | 1200:1 |
| Response time (ms) | 8 |
| Color support | 1.07B |
| Viewing angle (H/V) | 178°/178° |
| Android | |
| CPU | RK3588: 4-core A76 (2.4G) + 4-core A55 (1.8G) |
| CPU frequency | 2.4GHz |
| RAM/ROM | DDR4: 8GB eMMC: 64GB |
| Android version | Android 12.0 |
| Touch | |
| Touch control | Infrared touch screen, 20-point multi-touch at most |
| Touch precision (mm) | ±1 |
| Recognizable object | 5 points 2mm |
| Glass | 4mm tempered glass, level 7 on Mohs hardness scale, anti-glare |
| Response time (ms) | ≤10 |
| Touchscreen input | Opaque objects (e.g. finger, pen, etc.) |
| Interface | |
| Video input | 3*HDMI IN (4K@60) |
| Video output | 1*HDMI OUT (4K@60) |
| Audio input | 1*AUDIO IN |
| Audio output | 1*AUDIO OUT |
| Control | 1*RS232、3* USB 3.0、1* USB Type C、1* USB Type B |
| Network | 2*RJ 45,10M/100M/1000M adaptive Ethernet Interfaces |
| Audio | |

| | |
|--------------------------------|---|
| Frequency domain | 80Hz~20kHz |
| Speaker | Left channel 17W: 1*treble (8Ω 5W) + 2*bass (4Ω 6W) Right channel 17W: 1*treble (8Ω 5W) + 2*bass (4Ω 6W) |
| Wi-Fi | |
| Configuration | Wi-Fi6 + Wi-Fi5 dual-module, supports 5G/2.4G |
| Performance | 30 m ² coverage, 20m transmission distance in open space |
| Bluetooth | |
| Version | 5.2 |
| Performance | 10m transmission distance in open space |
| OSD | |
| Language supported | 3 (Simplified Chinese、English、Spanish) |
| VESA | |
| Wall mount hole (mm) | 800*400 |
| Wall mount screw | 4-M8 screw hole |
| General | |
| Power supply | AC 100 to 240V, 50/60Hz |
| Maximum power consumption (W) | ≤365 (on without OPS) |
| Standby power consumption (W) | <0.5 |
| Operating temperature | 0 to 50°C |
| Operating humidity | 10% to 90% (non-condensing) |
| Storage temperature | -20 to 60°C |
| Storage humidity | 0% to 95% (non-condensing) |
| Product dimensions (W*H*D)(mm) | 1967*1173*89 |
| Package dimensions (W*H*D)(mm) | 2117*1336*247 |
| Weight (kg) | Net weight: 68.0 Gross weight:79.2 |
| Accessories included | 1*power cord、2*touch pen、1*quick guide |

Pluggable 4K Camera Microphone Module

| | |
|------------------------|-----------------|
| Model | HB-7199-CA08 |
| General | |
| Camera resolution | 4K@30fps |
| Sensor pixel size (um) | 1.45*1.45 |
| FOV | Diagonal 112.7° |

| | |
|--------------------------------|--|
| Distortion | ≤2% |
| Microphone | Omni-directional 8-array |
| Pickup angle | 180° |
| Pickup distance (m) | 8 |
| Pickup capability | Supports echo cancellation, auto gain, and noise suppression |
| Product dimensions (W*H*D)(mm) | 359*50*46 |

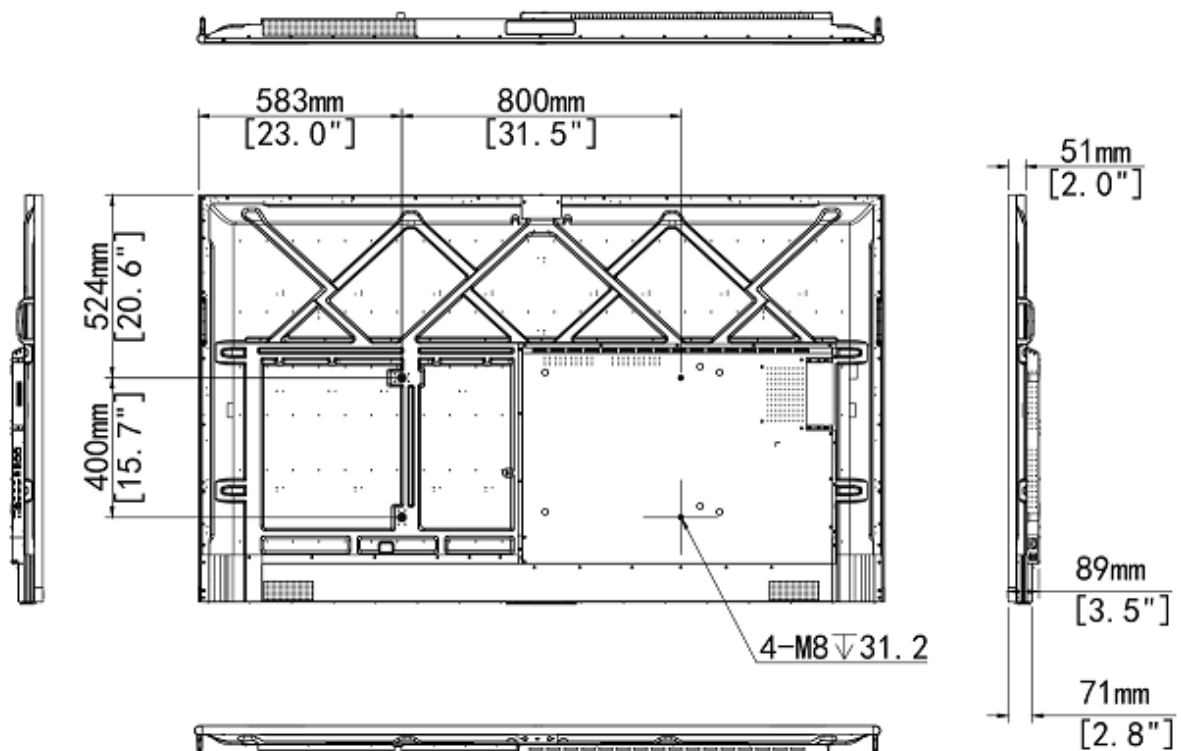
Pluggable MIC Module

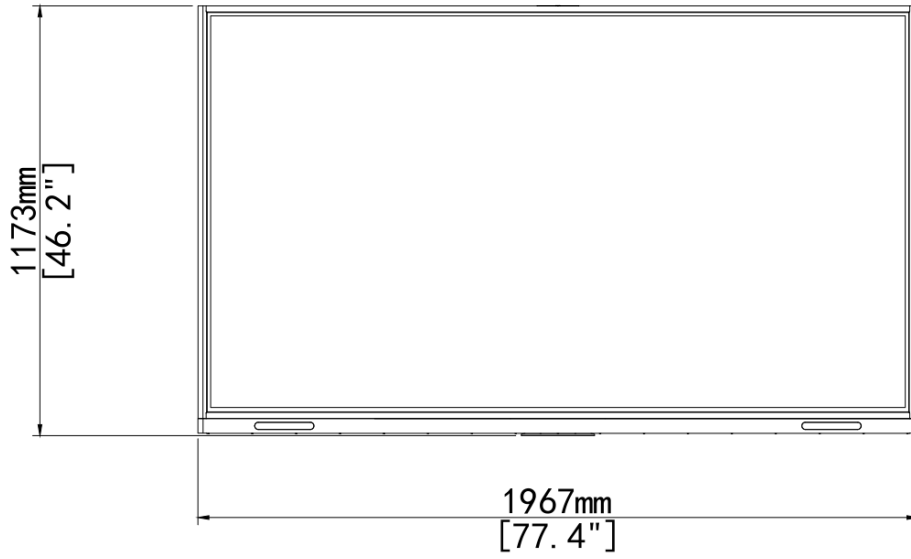
| | |
|--------------------------------|--|
| Model | HB-7199-MC04 |
| General | |
| Specification | Omni-directional 4-array |
| Pickup angle | 180° |
| Pickup distance (m) | 8 |
| Pickup capability | Supports echo cancellation, auto gain, and noise suppression |
| Product dimensions (W*H*D)(mm) | 200*50*38 |

Appearance

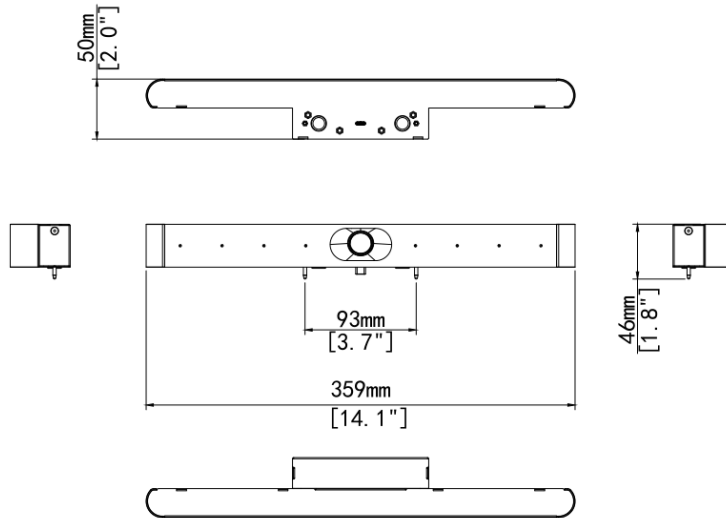
Dimensions

Smart interactive display:

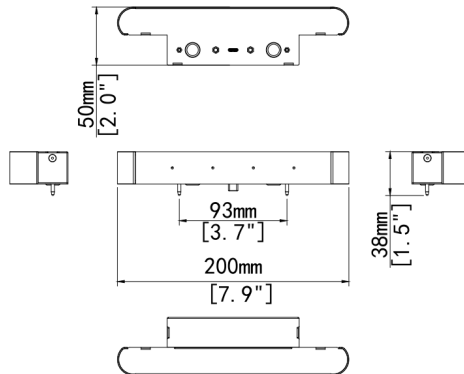




Pluggable 4K Camera Microphone Module:

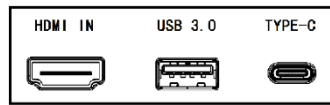


Pluggable MIC Module:

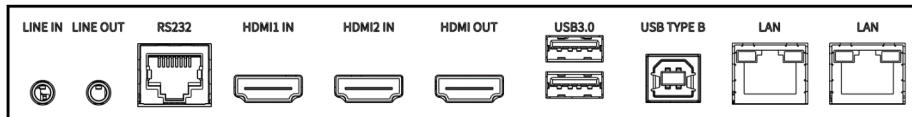


Interfaces

Front interfaces



Side interfaces



Example of module installation

Pluggable 4K Camera Microphone Module:



Pluggable MIC Module:



Order Information

| Model | Remarks |
|--------------|---|
| MW3586-U-E | 86" Smart interactive display |
| HB-7199-CA08 | Pluggable 4K Camera Microphone Module (optional) |
| HB-7199-MC04 | Pluggable MIC Module (optional) |
| HB-7199-TP | Wireless screen sharing dongle (optional) |
| HB-4365 | 65" to 86" Wall mount (optional) |
| HB-8765-S | 65" to 86" Mobile stand (optional) |
| HB-7099-M1 | Pluggable PC module with i5 processor (Windows 10, not activated) (optional) |
| HB-7099-S1 | Pluggable PC module with i7 processor (Windows 10, not activated) (optional) |
| LIS-WIN10-V | OS-Windows 10-1 to 1 license-IoT Enterprise Value version (with i5 processor OPS PC module) (optional) |
| LIS-WIN10-H | OS-Windows 10-1 to 1 license-IoT Enterprise High End version (with i7 processor OPS PC module) (optional) |

Zhejiang Uniview Technologies Co.,Ltd.

Building No.10, Wanlun Science Park, Jiangling Road 88, Binjiang District, Hangzhou, Zhejiang, China

Email: overseasbusiness@uniview.com; globalsupport@uniview.com

<http://www.uniview.com>

©2023 Zhejiang Uniview Technologies Co.,Ltd. All rights reserved.

*Product specifications and availability are subject to change without notice.