

VC-G50 High Definition Video Camera

Lumens™
Brilliance by Design

The Lumens™ VC-G50 HD Pan/Tilt/Zoom (PTZ) camera is equipped with a professional 1/2.8 inch image sensor with Full HD-1080p output resolution at a high dynamic image of 60 frames per second. The superior 20x optical zoom lens, excellent white balance, and exposure mode delivers a clear image even in low light or extreme contrasts of brightness and darkness in a conference room. The camera covers a wide shooting angle and utilizes the high efficiency DC motor servo-controlled to achieve both high-speed, quiet, and precise positioning, as well as smooth PTZ operations. The VC-G50 supports 3G-SDI, DVI, component, and C-Video interfaces to allow for four simultaneous image outputs with the most suitable image quality. The VC-G50 is compatible with all video equipment. There are up to 128 preset settings and stable remote controlling for effective and efficient presentations. The VC-G50 delivers a continuous, clear, and vivid live image without any distortions and is ideally suited for lecture recording, video conferencing, and security surveillance systems.

Key Features

- Full HD 1080p supported high definition signal output format
- High frame rate supporting 60 frames per second
- Up to 128 user-defined preset modes to allow ease of use in all environments
- 240 times variable zoom ratio (20x optical zoom with 12x digital zoom)
- 3G-SDI, DVI, Components and C-Video image output synchronously
- Maximum horizontal/vertical speed of rotation: 300 degrees / sec
- Wide Pan/Tilt/Zoom mechanism:
Horizontal viewing angle: -170° to +170°
Tilting angle up to 90°, and down to -30°
- Fast response delivers extremely clear image without blurs, even while being operated
- High-speed, stable, and quiet positioning ensure image quality and precision
- Compatible with major video conferencing and lecture capture codec



More Details

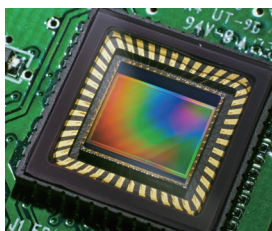


Image Quality

The VC-G50 is equipped with a professional 1/2.8 inch image sensor with Full HD-1080p output resolution providing high color reproduction, and a high definition, crystal-clear image.



Wide Range Pan/Tilt/Zoom Action

The highly efficient DC motor servo controls a wide shooting area (pan angle: from -170° to +170° ; tilt angle from -30° to +90°), as well as quiet, fast, and precise positioning movements.



Multiple Signal Formats

The VC-G50 is able to switch video output formats from NTSC/PAL and SD to Full HD for compatibility in various display devices.



3G-SDI Interface

The VC-G50 supports a 3G-SDI standard interface for transmitting uncompressed digital video signals without any delays, up to a distance of 150 meters.



128 Position Presets

The VC-G50 has up to 128 preset settings for pan, tilt, zoom, focus, exposure and white balance modes to make video conferencing effective and efficient.



RS-232/422 Remote Control

The VC-G50 has camera settings and PTZ control functions to be performed remotely at any location and at high communication speeds via the RS-232/422 interface.



Friendly Interface

The Lumens™ infrared controller is a simple operation that allows the VC-G50 to pan, tilt, zoom, and focus easily.



Image Flip

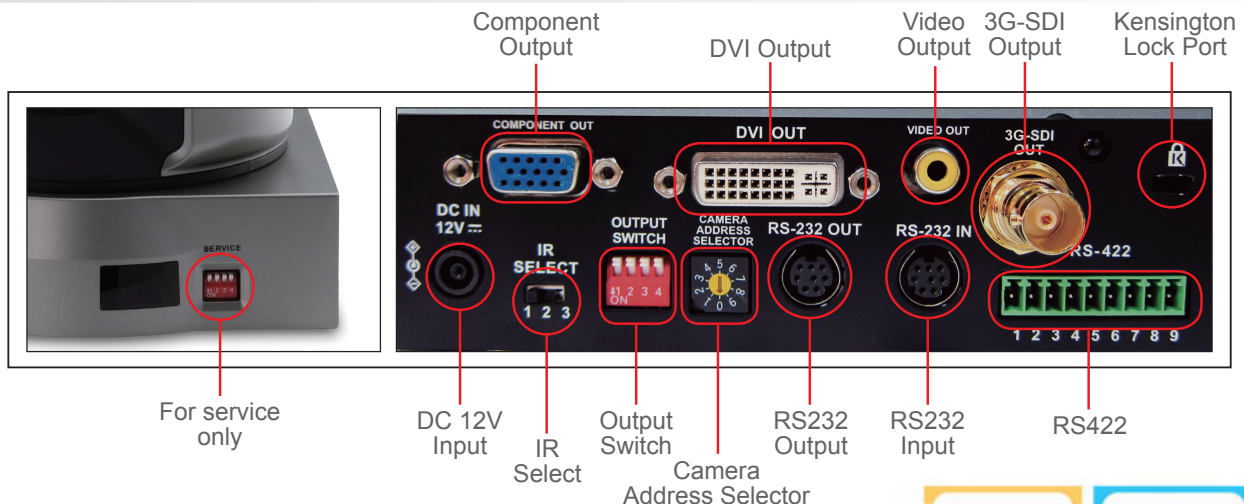
The VC-G50 has built-in image flip and mirror functions that allow various installations on a desktop or mounting on the ceiling depending on the users' requirements.

Product Specifications

Sensor	1/2.8" 2 MP CMOS
Video Output	1080p 60/50 fps, 1080i 60/50 fps, 1080p 30/25 fps, 720p 60/50 fps, 720p 30/25 fps, NTSC/PAL
Optical Zoom	20x
Panning Angle	-170° ~ +170°
Tilting Angle	-30° ~ +90°
Preset Positions	128
Video Output(HD) Interface	Component, DVI, 3G-SDI
Video Output(SD) Interface	CVBS (C-Video)
Camera Control Interface/Protocol	RS-232 / RS-422
Video S/N Ratio	> 50dB
Shutter Speed	1/1 ~ 1/10,000 sec

Focal Length	f = 4.7 ~ 94 mm
Horizontal Viewing Angle	63°
Aperture	F1.6 ~ 3.5
Minimum Illumination	5 lux
Minimum Object Distance	300(Wide) ~ 1500(Tele) mm
Digital Zoom	12x
Gain Control	Auto, manual
White Balance	Auto, indoor, outdoor, one-push, manual
Exposure Control	Auto, manual
Focus System	Auto, manual
Image Flip	Yes
Weight	4.4 lbs (2.0 kg)
Dimension	6.9" x 7.3" x 7.2" (174 x 186 x 182.7 mm) (W x D x H)

I/O CONNECTIONS



Lumens[™]
Brilliance by Design
www.MyLumens.com

Lumens Integration, Inc.
4116 Clipper Court
Fremont, CA. 94538
Phone : 888.542.3235
Fax : 510.252.1389

Lumens Europe
Stationstraat 5
1730 Asse, Belgium
Phone : +32 (0) 2 452 76 00
Fax : +32 (0) 2 452 76 00

Touchboards
205 Westwood Ave, Long Branch, NJ 07740
Phone: 866-94 BOARDS (26273) / (732)-222-1511
Fax: (732)-222-7088 | E-mail: sales@touchboards.com