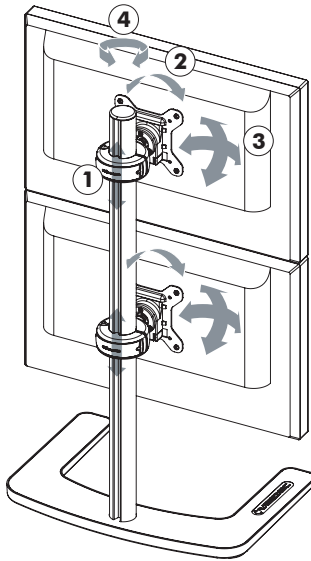


### General Features



#### Display Compatibility:

Visidec Freestanding Double Vertical is compatible with Flat Panel Displays measuring up to 450mm (17.72") high, with either 75mm x 75mm or 100mm x 100mm VESA mounting hole patterns.

#### Display Weight Compatibility:

Each Quickshift Donut supports a maximum weight of 12kg (26.5lbs)

#### Cable Management:

Cable Slot, Cable Clips and Cable Balls (included in package)

#### Colour Options:

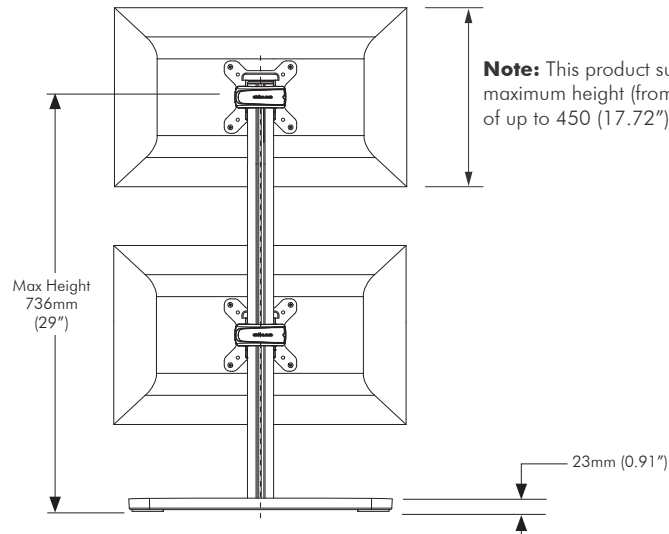
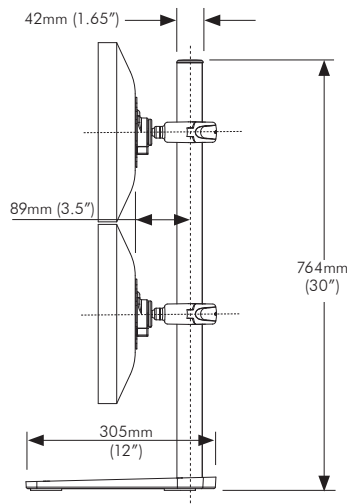
- Pole available in Matt Silver Anodised only.
- Quickshift Donut available in Black only.
- Base available in Black/Silver only.

#### Warranty:

10 years limited

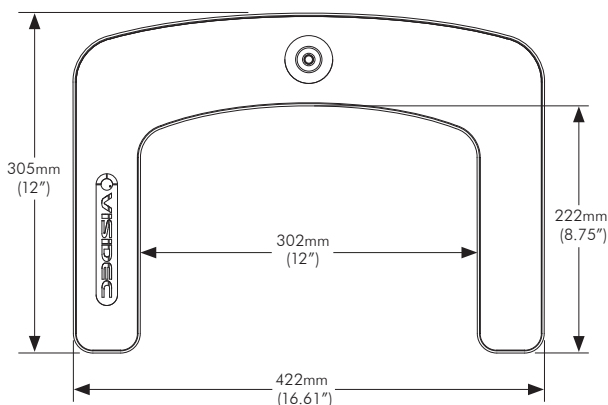
- 1 Vertical height adjustment
- 2 360° Portrait/Landscape adjustment
- 3 ±20° Pan/Tilt adjustment
- 4 360° Rotation

### Overall Dimensions



**Note:** This product supports a maximum height (from edge to edge) of up to 450 (17.72") per display.

### Base Dimensions



### VESA Display Mounting Options

Choose the correct Mounting Screws supplied in the Hardware box and attach the display as shown.

