



**Professional Solutions - Unrivaled Value**

Crimson's best value in class Video Wall Mount System features lateral, vertical, horizontal, and plumb adjustments that enable quick installation, easy operation and simple maintenance. Our proprietary Push in - Pop out™ Technology allows a single display to be accessed without any disruption to the rest of the matrix, and the entire grid can be laid out by a single installer.

37"-60" / 94cm-152.4cm

200 LB / 91 KG

- **Universal Design/VESA Compatible**  
*Fits any hole pattern up to 400x600mm.*
- **Extendable**  
*Extends up to 10.75" for easy access and wiring.*
- **Screen Size Variety**  
*Fits most 37" to 60" flat panel screens weighing up to 200lb (91kg).*
- **Adjustment**  
*Features lateral, vertical, horizontal and plumb adjustments that enables easy operation and simple maintenance.*
- **Easy Installation**  
*Multiple adjustment points make installation fast and easy.*
- **Cable Management**  
*Integrated cable management for a clean look.*
- **Included Hardware**  
*Pre-sorted hardware pack for easy component selection and installation (hardware for installation to wood studs or concrete surfaces included).*

**Functional Specifications**

**Depth from wall:** 3.39" (86mm)

**Extension:** 10.75" (273mm)

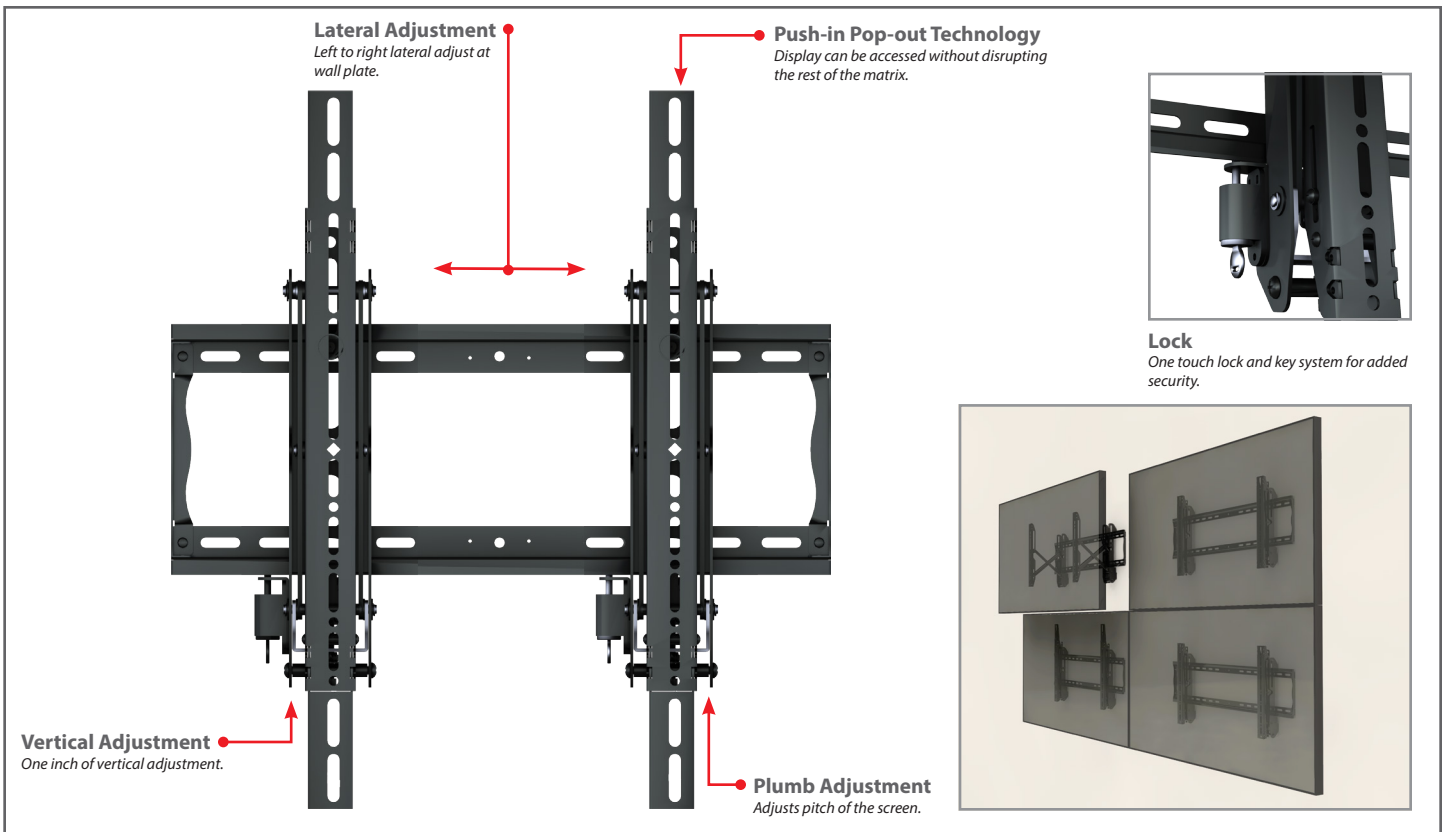
**Mounting Surfaces:** Wood stud, concrete & cinder block (with included hardware). Metal Stud (requires accessories).

**Max Mounting Pattern:**

400mm (31.5") width  
600mm (15.7") height

**Load Capacity:** 200 LB / 91 KG

**Warranty:** Limited 10 Years

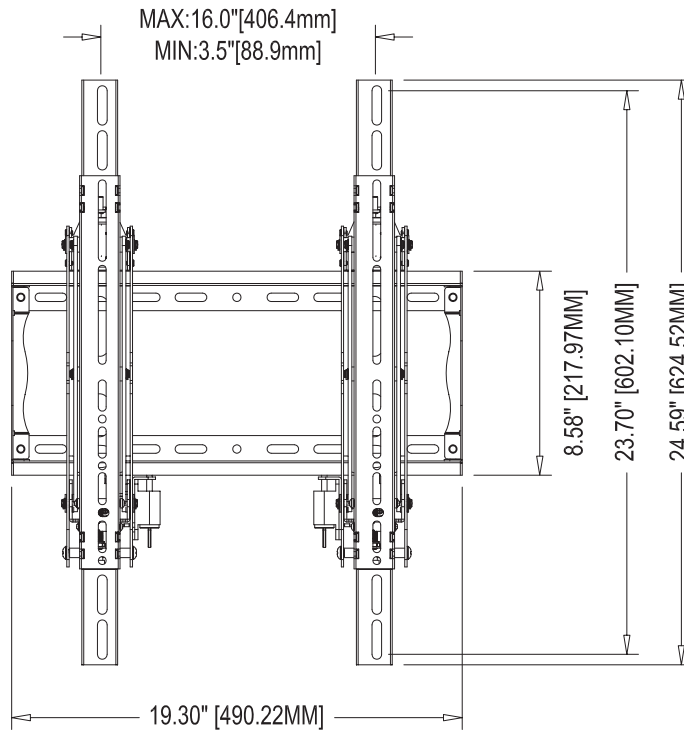
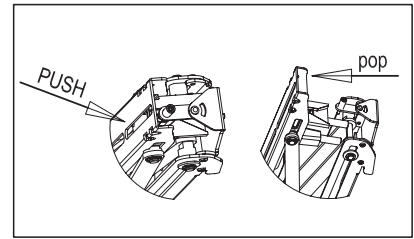
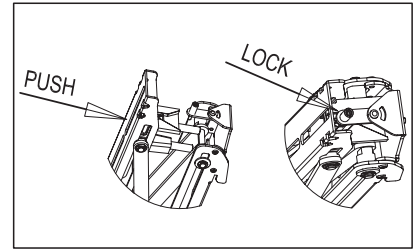
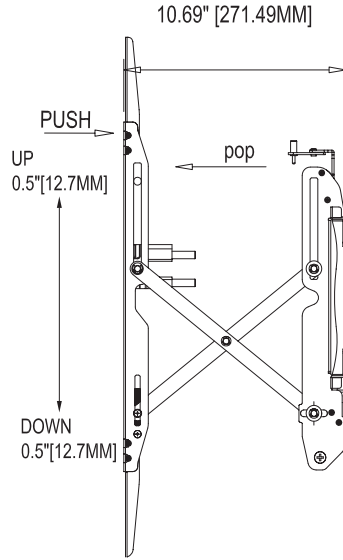
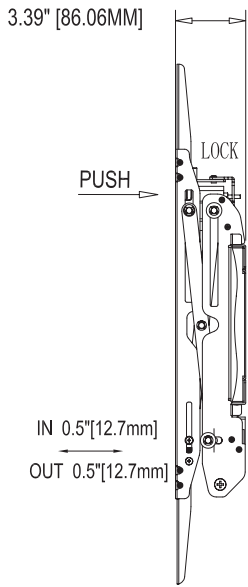




# Push-in Pop-out Video Wall Mount

For 37" to 60" (94-152.4cm) LCD, LED and Plasma Displays

VWP4600G2 (BLACK)  
Portrait Orientation

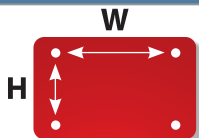


## Product Specifications

## Package Specifications

PRODUCT WEIGHT	LOAD CAPACITY	COLORS	FINISH	PACKAGE SIZE (WxHxD)	SHIP WEIGHT	UPC CODE	PACKAGE CONTENTS
15lb (6.8kg)	200lb (91kg)	Black	Scratch resistant powder coating	21" x 13" x 5"	16.8lb (7.6kg)	(Black) 0815885014642	Mount, wall and screen mounting hardware, product manual.

## Mounting Interface



**Max Mounting Pattern**  
400mm (W) x 600mm (H)

<b>W</b>	100mm	200mm	200mm	300mm	300mm	400mm	400mm	600mm
	X	X	X	X	X	X	X	X
<b>H</b>	100mm	100mm	200mm	200mm	300mm	300mm	400mm	400mm

Visit [crimsonav.com](http://crimsonav.com) to see the complete lineup of TV, Monitor, Display, and Projector mounts. © 2013 Crimson AV LLC. All rights reserved.