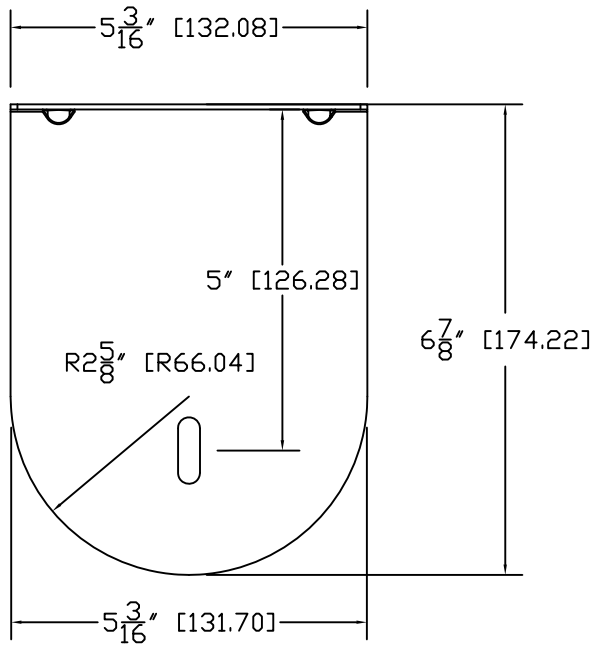
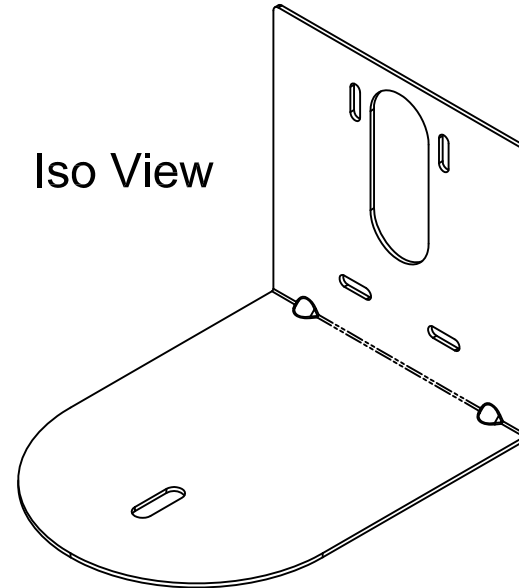


Top View



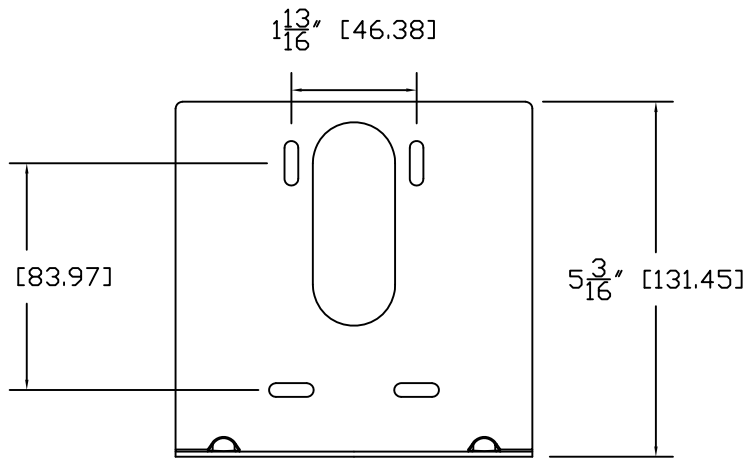
Iso View



**Touchboards**

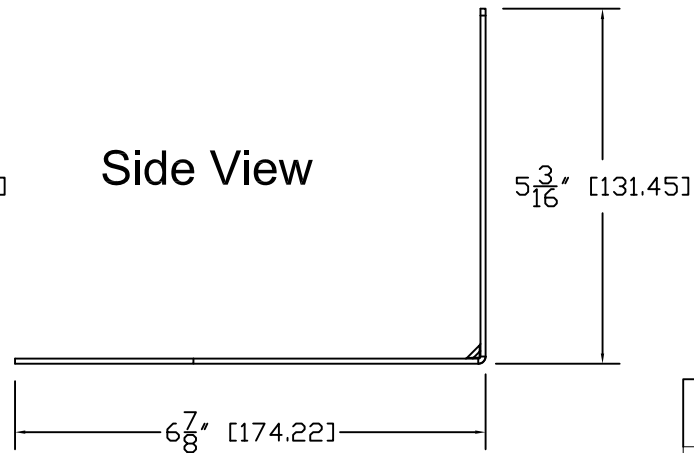
205 Westwood Ave, Long Branch, NJ 07740  
Phone: 866-94 BOARDS (26273) / (732)-222-1511  
Fax: (732)-222-7088 | E-mail: sales@touchboards.com

3  $\frac{5}{16}$ " [83.97]



Front View

Side View



GENERAL NOTES:

DIMENSIONS ARE IN INCHES (mm) UNLESS OTHERWISE NOTED.  
DO NOT DISTRIBUTE WITHOUT EXPRESS WRITTEN PERMISSION  
OF VADDIO. DUE TO OUR CONTINUING EFFORTS TO ENHANCE  
OUR PRODUCTS, WE RESERVE THE RIGHT TO CHANGE  
SPECIFICATIONS WITHOUT PRIOR NOTICE OR OBLIGATION.

**vaddio**

UNLESS OTHERWISE NOTED DIMENSIONAL LIMITS APPLY AFTER FINISH		THIS DRAWING, INCLUDING ALL SUBJECT MATTER INDICATED THEREON OR HEREIN, IS THE PROPERTY OF VADDIO. ALL RIGHTS RESERVED-COPYRIGHT 2007.	
UNLESS OTHERWISE NOTED DIMENSIONAL LIMITS APPLY AFTER FINISH		THIS: 535-2000-205 for Sony EVI-D70	
DESIGN & CHECKED BY	JAS	DESIGNED BY	RAR
DATE	02/22/07	APPROVED BY	RAR
PARTIAL: CRS SHT .075 14 GA. 1010		SCALE: 1:1	
FINISH: PRIME, FLAT POWDER COAT		SHEET: 1-1	
TITLE: Thin Profile Wall Mount WallVIEW 70 PTZ		DRAWING NO: 205	
		REV: A	