

PRESENTERPOD™

Preset Trigger Device for the Vaddio™ AutoPresenter™ Automated Content Presentation System

The PresenterPOD is a perfect complement to the Vaddio AutoPresenter video switcher and automated camera control system. When the PresenterPOD is used in conjunction with the AutoPresenter, the system allows the presenter to walk up to a work area, such as a lectern, teaching station or whiteboard, and quickly have access to the AutoPresenter's inputs and Pan/Tilt/Zoom camera presets.

Two (2) large round buttons located on the PresenterPod offer the presenter flexible control over the automated content on other presets and other necessary content sources. A third small square button is available for PIP On/Off adjustments if PIP is stored within any of the presets activated by the PresenterPOD. Even the Logo button can be used as a trigger.

The system uses Vaddio's EZCable™ cabling standard, which connects the PresenterPOD via a single Cat-5e cable to the PresenterPOD Interface for the provision of power and transmission of data between the devices. The PresenterPOD Interface can support up to two (2) PresenterPODs (see Technical Images and System Connectivity for details). The PresenterPOD Interface can be assigned to output latching, momentary triggers or any combination, depending on the design requirements.

The PresenterPOD combined with the AutoPresenter provides a truly innovative approach to automating people and content presentation systems with easy to understand presenter control options. Vaddio's AutoPresenter System with the PresenterPOD is as unique as it is easy to use, and of course, easy to install.

WHAT'S INCLUDED

The PresenterPOD System Includes:

- PresenterPOD
- Sheet of Labels for the POD's Trigger Buttons
- PresenterPOD Interface
- PowerRite™ Power Supply and AC Cord Set
- Metal Mounting Tabs for the PresenterPOD
- Documentation

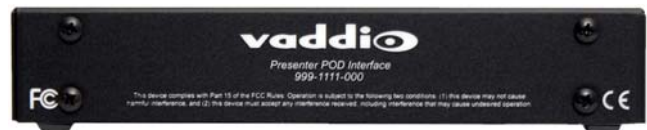
TECHNICAL FEATURES

PresenterPOD Triggers:

Each PresenterPOD has four (4) trigger outputs available on four (4) buttons which, can be programmed to be momentary or latching type triggers, recall presets or adjust the PIP (on/off) within the presets of the AutoPresenter or other systems as well. These buttons are made of silicone rubber for a professional look and feel and are backlit for ease of trigger identification. The system is even shipped with small labels so that any



Figure 1: PresenterPOD (top and front) showing four (4) back-lit trigger buttons, PresenterPOD Interface front panel (bottom)



instructor can operate an installed AutoPresenter presentation environment and know exactly what powerful A/V tools are at their fingertips.

PresenterPOD Interface:

Within any presentation environment, there are commonly two (2) active presentation areas; for example, the lectern position and the whiteboard (see example on next page). The PresenterPOD Interface can support two (2) PresenterPODs allowing active control of up to eight presets on the AutoPresenter or other control systems. Logic for interaction between two PODs is supported.

Easy to Install and Operate:

The Vaddio PresenterPOD is a simple product that works with any device that accepts trigger inputs including; Hot-Shot, ControlVIEW XHD, ProductionVIEW Consoles and of course, the AutoPresenter. Like all of the products listed above, the PresenterPOD is made in the USA.

TECHNICAL IMAGES

Figure 2: PresenterPOD Interface Rear Panel Connections. The enclosure is 1-RU, 1/2 Rack Size and a rack panel for rack mounting two interfaces is available. The PresenterPOD Interface can support two (2) PODs at a time. Each pod has four (4) possible trigger outs.



Figure 3: PresenterPOD Views
 Top view (below) shows four (4) trigger buttons labeled with provided labels. Rear view (top right) shows RJ-45 jack for connecting to the PresenterPOD Interface. Bottom View (lower right) shows an alternate RJ-45 on that can also be connected to the POD interface. Use only one RJ-45 at a time. The bottom RJ-45 jack was added to hide the Cat-5e cabling in a wall or for placement over a grommet on a lectern or table.



Rear View

Top View

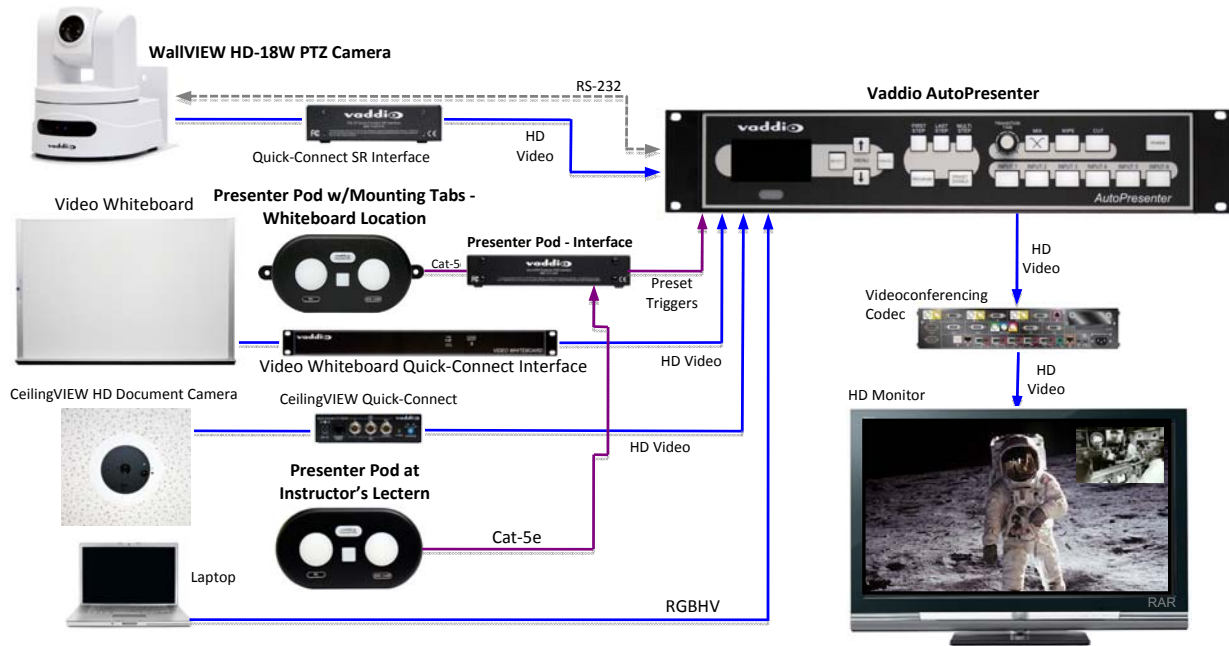


Bottom View

2 - Inserts for Mounting Tabs

SYSTEM CONNECTIVITY

Figure 4: System configuration uses two (2) PresenterPODs and one PresenterPod Interface to trigger the Vaddio AutoPresenter at two different locations (Video Whiteboard and at the Instructor's Lectern) in a presentation or videoconferencing room.



TECHNICAL SPECIFICATIONS

PresenterPOD System	
Part Numbers	999-1111-000 North America, 999-1111-001 International
PresenterPOD Attributes:	Logo button that turns red when triggered, three (3) manual buttons with blue LEDs backlights, two (2) RJ-45 jacks (back and bottom) to connect to the PresenterPOD Interface with Cat-5e (use one RJ-45 at a time)
PresenterPOD Interface:	Supplies power and receives trigger data on two (2) RJ-45 connectors and can support two (2) PODs per interface, Four (4) trigger outputs per POD on Phoenix type connectors, 10 Pos. dip switch assigns triggers (latching or mom.)
Connectivity	RJ-45 Power and Data between Interface and POD
Labeling	One (1) sheet of adhesive labels provided (both pre-labeled and blanks)
Power Requirements:	PowerRite 12 VDC, 1.0 Amp
Weight & Dimensions	PresenterPod Interface: 3.2 lbs., 1.47" H x 8" W x 6" D, PresenterPOD: .65 lbs., 1" H x 5.72" W x 3.21" D