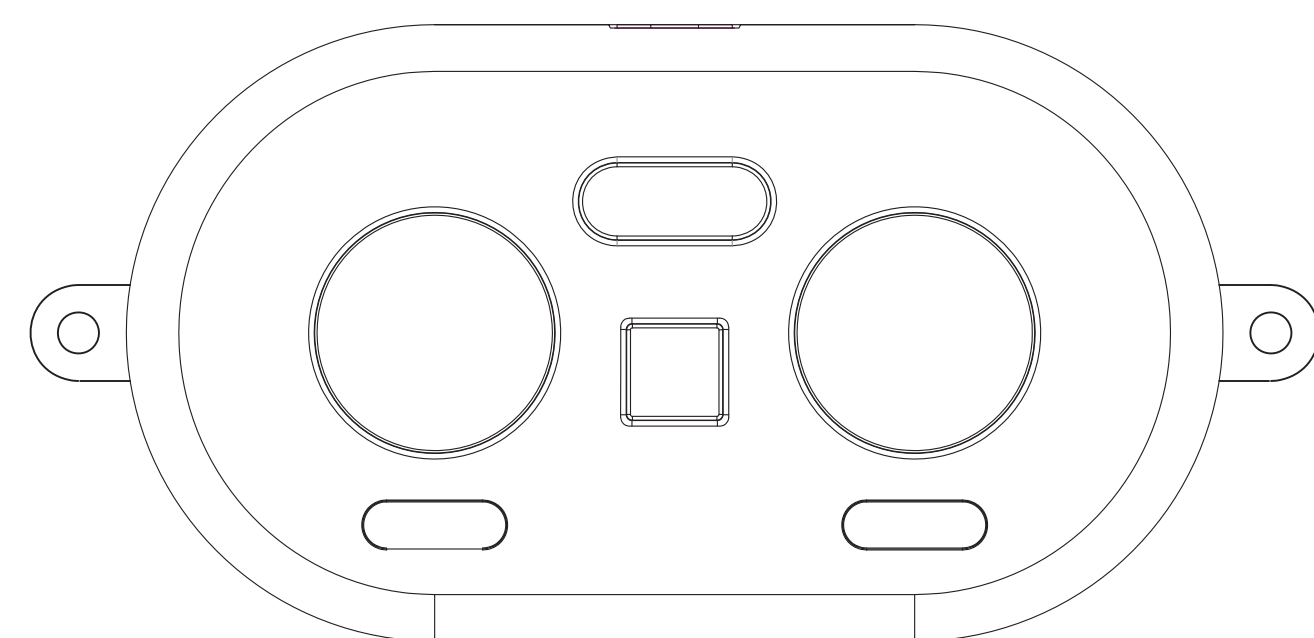


PresenterPOD with Mounting Ears



PresenterPOD Labels

PC	CAMERA 1	VIDEO 1	VIDEO WHITEBOARD	MEDIA 1
PC	CAMERA 1	VIDEO 1	VIDEO WHITEBOARD	MEDIA 2
PC	CAMERA 2	VIDEO 2	VIDEO WHITEBOARD	MEDIA 2
DOC CAM	CAMERA 2	VIDEO 2	DVD	
DOC CAM	CAMERA 3	VIDEO 2	DVD	
DOC CAM	CAMERA 3	VIDEO 2	MEDIA 1	



205 Westwood Ave, Long Branch, NJ 07740
 Phone: 866-94 BOARDS (26273) / (732)-222-1511
 Fax: (732)-222-7088 | E-mail: sales@touchboards.com

vaddio		GENERAL NOTES: DIMENSIONS ARE IN INCHES (mm) UNLESS OTHERWISE NOTED. DO NOT DISTRIBUTE WITHOUT EXPRESS WRITTEN PERMISSION OF VADDIO. DUE TO OUR CONTINUING EFFORTS TO ENHANCE OUR PRODUCTS, WE RESERVE THE RIGHT TO CHANGE SPECIFICATIONS WITHOUT PRIOR NOTICE OR OBLIGATION.		
PresenterPOD System P/N: 999-1111-000		PresenterPOD and PresenterPOD Interface		
DRAWN	CHECKED	APPROVED	DATE	
RAR		RAR	09/22/11	
THIS DRAWING, INCLUDING ALL SUBJECT MATTERS INDICATED THEREON OR DERIVED THEREFROM, COMPRISES PROPRIETARY INFORMATION AND IS THE EXPRESS PROPERTY OF VADDIO. All Rights Reserved - Copyright 2011.				
MATERIALS	SCALE	SIZE	DRAWING No.	REV
Various Plastic and Metal	1:1	D	1111-000	A
COMMENTS	Surface Polarizing Damper (SPD) - NOT INCLUDED			