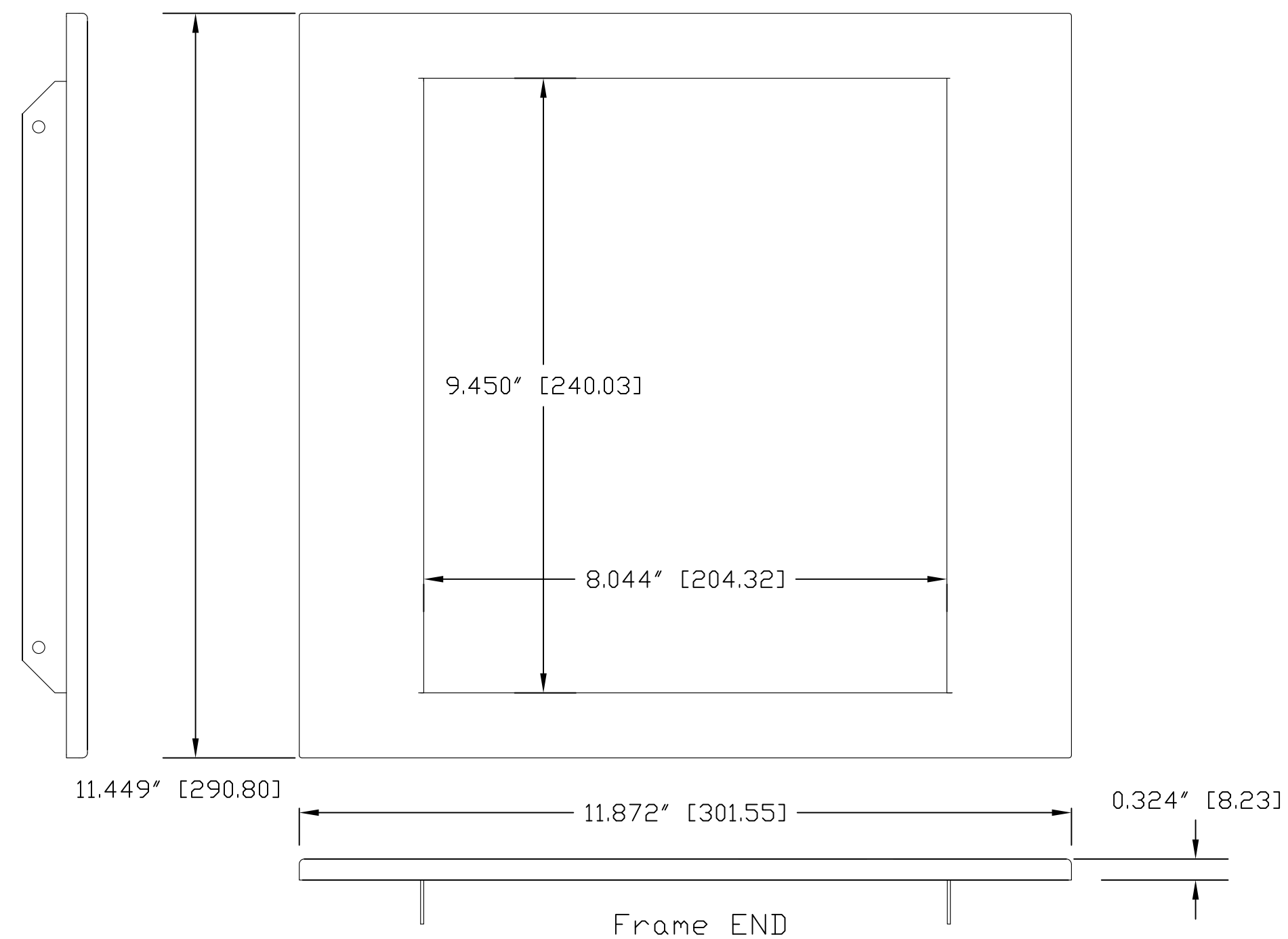
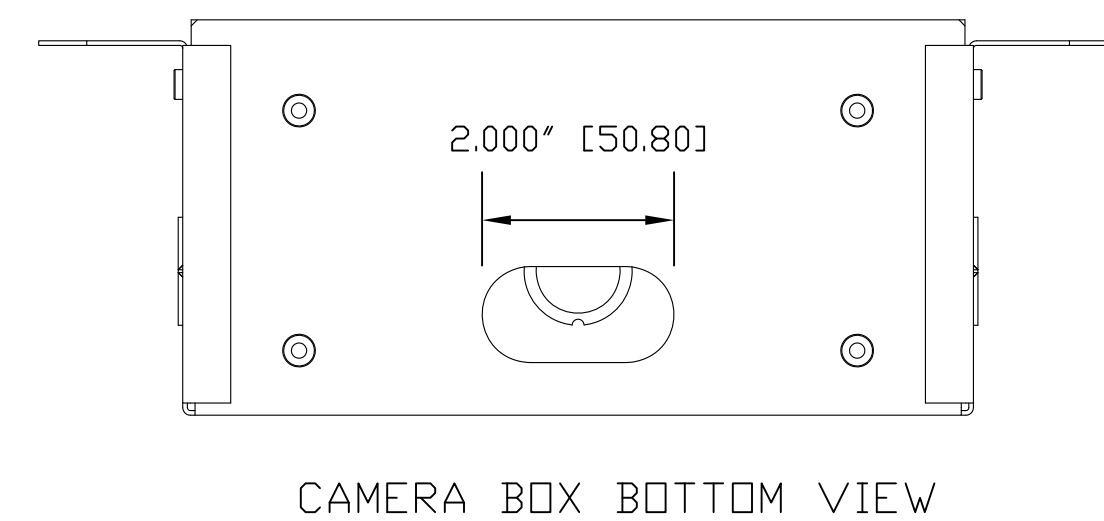


FACE FRAME
SIDE VIEW



FACE FRAME
FRONT VIEW



vaddio		GENERAL NOTES: DIMENSIONS ARE IN INCHES (mm) UNLESS OTHERWISE NOTED. DO NOT DISTRIBUTE WITHOUT EXPRESS WRITTEN PERMISSION OF VADDIO. DUE TO OUR CONTINUING EFFORTS TO ENHANCE OUR PRODUCTS, WE RESERVE THE RIGHT TO CHANGE SPECIFICATIONS WITHOUT PRIOR NOTICE OR OBLIGATION.	
IN-Wall Mount for Vaddio RoboSHOT 20 UHD Camera			
Vaddio PART NUMBER 999-2225-021 (BOX, FRAME & PLATFORM)			
DRAWN RAR/WLF	CHECKED	APPROVED RAR	DATE 08/15/16
THIS DRAWING, INCLUDING ALL SUBJECT MATTERS INDICATED THEREIN OR DERIVED THEREFROM, COMPRISES PROPRIETARY INFORMATION AND IS THE EXPRESS PROPERTY OF VADDIO. All Rights Reserved - Copyright 2016			
MATERIALS CRS 18 GAUGE (BOX & FRAME) & 12 GAUGE (PLATFORM)	SCALE 1:2	DRAWING No. 2225-021	REV REV A
FINISH WHITE POWDERCOAT 20% GLOSS Vaddio 806-503	SIZE D		