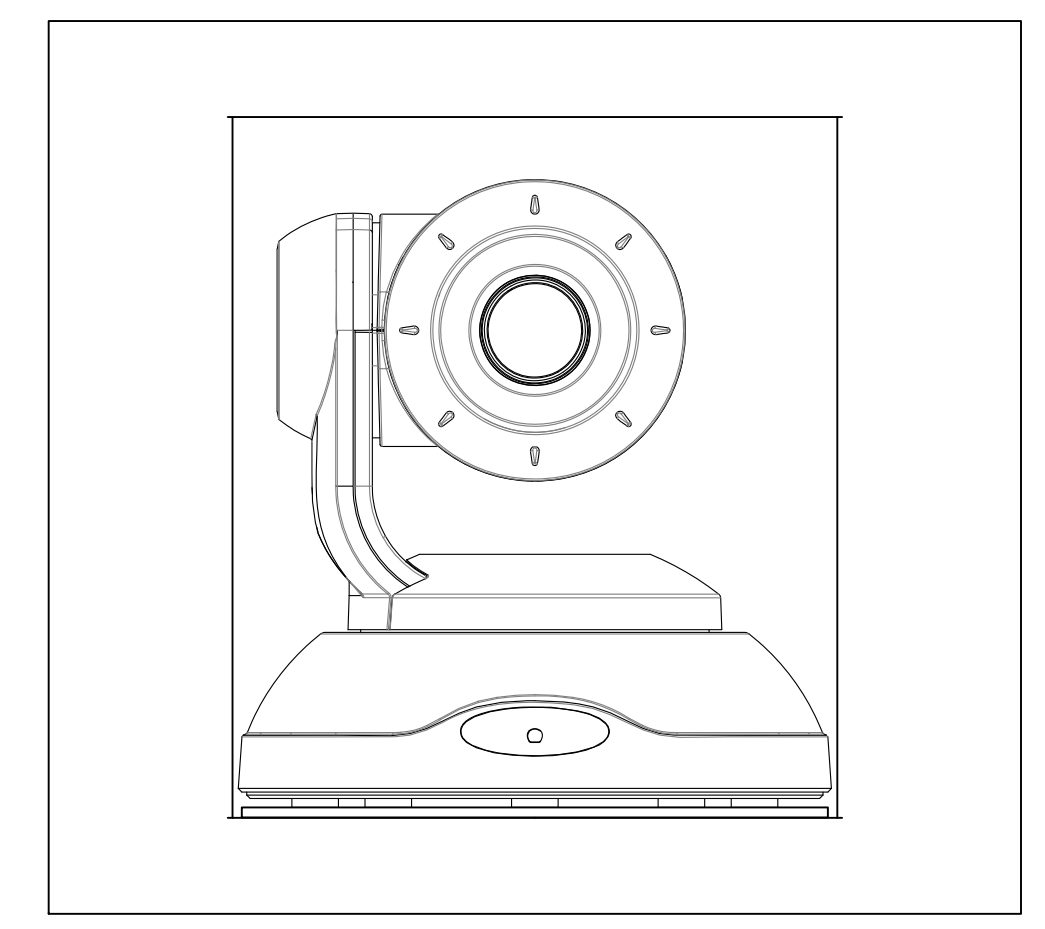


Bonus Figure with Camera



vaddio		GENERAL NOTES: DIMENSIONS ARE IN INCHES (mm) UNLESS OTHERWISE NOTED. DO NOT DISTRIBUTE WITHOUT EXPRESS WRITTEN PERMISSION OF VADDIO. DUE TO OUR CONTINUING EFFORTS TO ENHANCE OUR PRODUCTS, WE RESERVE THE RIGHT TO CHANGE SPECIFICATIONS WITHOUT PRIOR NOTICE OR OBLIGATION.	
IN-Wall Mount for Vaddio ClearSHOT 10 USB Camera			
Vaddio PART NUMBER 999-2225-022 (BOX, FRAME & PLATFORM)			
DRAWN	CHECKED	APPROVED	DATE
RAR/WLF		RAR	07/27/16
THIS DRAWING, INCLUDING ALL SUBJECT MATTERS INDICATED THEREIN OR DERIVED THEREFROM, COMPRISES PROPRIETARY INFORMATION AND IS THE EXPRESS PROPERTY OF VADDIO. All Rights Reserved - Copyright 2016			
MATERIALS	SCALE	DRAWING No.	REV
CRS 18 GAUGE (BOX & FRAME) & 12 GAUGE (PLATFORM)	1:2	2225-022	REV A
FINISH	SIZE		
WHITE POWDERCOAT 20% GLOSS Vaddio 806-503	D		