

Vaddio™ ClearVIEW™ HD-20SE

OVERVIEW

The exciting new ClearVIEW HD-20SE HD PTZ Camera quite literally combines all of the best features of the ClearVIEW HD-18, HD-19 and HD-20 HD PTZ cameras into ONE! The innovation of the HD-18 EZCamera™ Cat-5 interfaces, the low light capability of the HD-19 and the FULL HD performance of the HD-20 are all represented, and improved upon with the ClearVIEW HD-20SE. It may be just a little bit cheesy to say, "One camera to rule them all," but the HD-20SE is clearly the best ClearVIEW ever, and here's why.

The HD-20SE is a native 1080p/60 camera using the latest 1/2.8-Type Exmor® high-speed, low noise CMOS image sensor technology with 2.38M total pixels and 2.14M effective pixels. The ISP (image signal processor) is off-the-hook, not only providing fast, razor-sharp auto-focus routines with incredible detail, realistic textures and vivid colors, it also has an impressive low-light performance of 0.3 Lux (color) and 0.03 Lux (B/W). The lens is a 20X optical zoom multi-element glass lens with an impressive horizontal field of view of 63° on the wide end to 3.47° on the tele end. The outputs are simultaneous HDMI, YPbPr and HSDS™ (differential video for use with Quick-Connect™ Interfaces) and supports both drop frame and non-drop frame HD video resolutions of 1080p/60/59.94/50/30/25, 1080i/60/59.94/50 and 720p/60/59.94/50.

So to recap, latest technology, awesome ISP, superb low-light performance, powerful yet wide angle lens, lots and lots of video outs, drop and non-drop frame video, Full HD and there's more!

The ClearVIEW HD-20SE can be used stand-alone or with one of four Quick-Connect Interface options. The Quick-Connect SR (YPbPr out), Quick-Connect DVI/HDMI-SR (HDMI or DVI-D and YPbPr outs) and the Quick-Connect USB (USB 2.0 or IP-H.264 streaming with simultaneous HDMI and YPbPr outputs) will all extend video, power and control over two (2) Cat-5/5e/6 cables up to 100' (30.48m). The flagship interface, Quick-Connect Universal CCU, extends video, power and control over three (3) Cat-5/5e/6 cables up to 500' (152.4m) and provides unparalleled control over color correction (painting) and camera matching (shading) for multi-camera integrations where the image quality is critical and the environment is without uniform lighting.

The ClearVIEW HD-20SE is an exceptional value and a remarkable camera for even the most demanding HD video applications including House of Worship productions, pro A/V system integration, distance learning classrooms, live events, IMAG systems, UCC applications, videoconferencing, distance learning and lecture capture. To top it all off, the ClearVIEW HD-20SE cameras are available in black or arctic white.



ClearVIEW HD-20SE (Black)

ClearVIEW HD-20SE in Arctic White (AW)

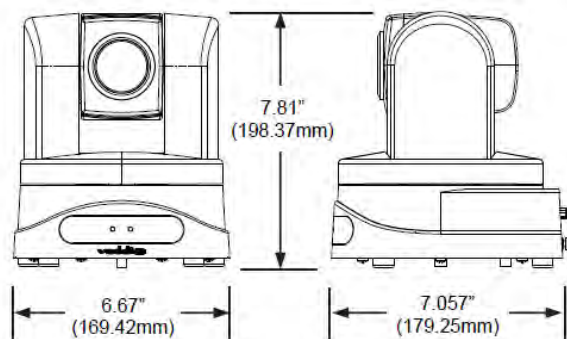
WHAT'S INCLUDED

The stand-alone ClearVIEW HD-20SE camera system includes the following items:

- One (1) ClearVIEW HD-20SE, HD PTZ Camera
- One (1) Vaddio IR Remote Commander
- One (1) EZCamera Control Adapter (RJ-45F to DE-9F)
- One (1) 12 VDC, 3.0 Amp Switching Power Supply
- One (1) AC power cord set
- Int'l models include the Euro and UK cords.
- One (1) Quick-Start Guide (1-pager)

Note: Full length manuals and drawings can be downloaded free of charge at support.vaddio.com.

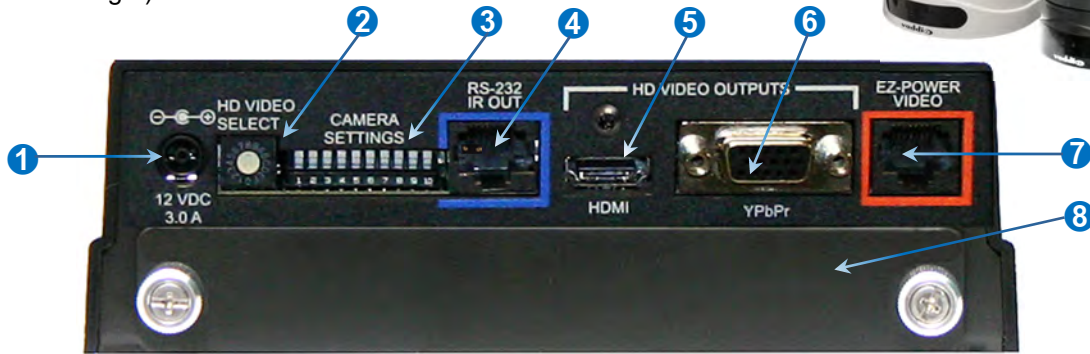
DIMENSIONS





TECHNICAL IMAGES

HD-20SE Rear Panel Connections (Numbered left to right)



- 1 12 VDC, 3.0 Amp EIAJ-04 Coaxial Power Connector with 5.5mm OD and 3.4mm ID and positive center.
- 2 HD Video Select Rotary Switch for choosing the camera's output (HDMI and YPbPr) resolution.
- 3 Camera Settings 10-position DIP switches for setting IR Freq., Image Flip, Baud Rate & Color Space (YCbCr or sRGB).
- 4 RS-232 Control Port for joysticks and control systems. IR Out for IR Forwarding with the SR Series Quick-Connects.
- 5 HDMI or DVI-D output on HDMI Connector. Use YCbCr Color Space for HDMI and sRGB Color Space for DVI-D.
- 6 Analog Component (YPbPr) Output on DE-15 Connector.
- 7 EZ-POWER VIDEO RJ-45 Port to supply power and return HSDS video (high speed differential) to the Quick-Connects.
- 8 Slot Card Port for EZIM CCU and HD-SDI Slot Cards (blank cover plate shown).

CLEARVIEW HD-20SE CAMERA SYSTEMS (AW after the part number denotes the Arctic White Camera Version)

- ClearVIEW HD-20SE QSR:** Includes HD-20SE Camera, Quick-Connect SR Interface, IR Remote, Power Supply, CONCEAL Wall Mount & mounting hardware and EZCamera Control Adapter.
PN: 999-6985-000 (NA), 999-6985-001 (Int'l), 999-6985-000AW (NA), 999-6985-001AW (Int'l)
- ClearVIEW HD-20SE QDVI:** Includes HD-20SE Camera, Quick-Connect DVI/HDMI-SR Interface, IR Remote, Power Supply, CONCEAL Wall Mount & mounting hardware and EZCamera Control Adapter.
PN: 999-6986-000 (NA), 999-6986-001 (Int'l), 999-6986-000AW (NA), 999-6986-001AW (Int'l)
- ClearVIEW HD-20SE QUSB:** Includes HD-20SE Camera, Quick-Connect USB Interface, IR Remote, Power Supply, CONCEAL Wall Mount & mounting hardware and EZCamera Control Adapter.
PN: 999-6989-000 (NA), 999-6989-001 (Int'l), 999-6989-000AW (NA), 999-6989-001AW (Int'l)
- ClearVIEW HD-20SE QCCU:** Includes HD-20SE Camera, Quick-Connect Universal CCU Interface, IR Remote, Power Supply, CONCEAL Wall Mount & mounting hardware and EZCamera Control Adapter.
PN: 999-6987-000 (NA), 999-6987-001 (Int'l), 999-6987-000AW (NA), 999-6987-001AW (Int'l)

CLEARVIEW HD-20SE SPECIFICATIONS

Part Numbers: Stand-alone Camera Packages	999-6980-000 (North America), 999-6980-001 (Int'l) - Black Camera Version 999-6980-000AW (North America), 999-6980-001AW (Int'l) - Arctic White Camera Version
Image Sensor	1/2.8-Type Exmor, high-speed, low-noise CMOS Image Sensor with, 2.38 Megapixels (2.14M effective).
Zoom	20X Optical Zoom with Multi-element Glass Lens
Field of View	Horizontal: 63° Wide End to 3.47° Tele End, Vertical: 36.8° Wide End to 1.85° Tele End, (16:9 Aspect Ratio)
Lens Focal Length	f=4.44mm to 89mm / F1.6 - F3.4
Minimum Illumination	Color: 0.3 Lux (F1.6, 1/30 sec, 50 IRE), B/W: 0.03 Lux (F1.6, 1/30 sec, 50 IRE)
Video Resolutions	HD: 1080p/60/59.94/50./30/25, 1080i/60/59.94/50 and 720p/60/59.94/50, HD Video Resolutions Only
Video Output Formats	HDMI, Analog Component, HSDS (Differential Video, Power and Control for Quick-Connects)
Signal to Noise Ratio	Greater than 50 dB (AGC: Off)
Compatible Quick-Connects	Quick-Connect SR, Quick-Connect DVI/HDMI SR, Quick-Connect USB and Quick-Connect Universal CCU
Pan Range	Pan: +170 degrees to -170 degrees, Tilt: +90 degrees to -30 degrees
Preset Positions	16 (internal), 6 recalled via IR Remote
Control Methods	RS-232, IR Remote Commander and OSD (on screen display)
Tally Light	Available through RS-232 Control
HD Video Select	16-Position Rotary Switch: Used to set HD Video Resolution Output of both HDMI and YPbPr signals
Camera Settings	10-Position Dip Switch: Settings for IR Select, Baud Rate 9600, Image Flip, Color Space etc...
Accessory Slot Cards	EZIM HD-SDI Slot Card PN# 998-6900-007, EZIM CCU Slot Card PN# 999-6900-006 - For Use with Quick-Connect CCU Only
Dimensions/Weight	7.81" (198.37mm) H x 6.67" (169.42mm) W x 7.057" (179.25. mm) D / 5.6 lbs. (2.63083595643 kg.)

Learn more about our cameras, audio devices and controllers at 800-572-2011 or vaddio.com

©2014 Vaddio - All Rights Reserved. Reproduction in whole or part without written permission is prohibited. Specifications and pricing are subject to change without prior notice or obligation. Vaddio, ClearVIEW, HSDS, EZCamera and Quick-Connect are trademarks of Vaddio. All other trademarks are the property of their respective owners. Preliminary Document 111814-1, SD: 68498.2