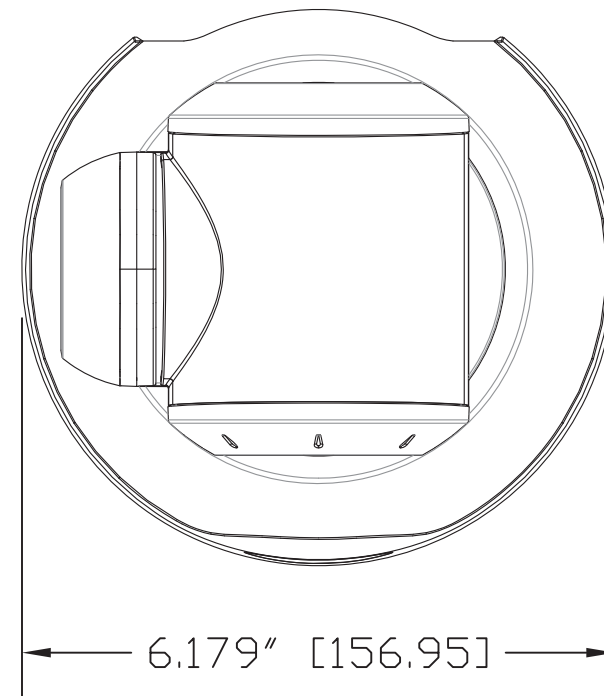
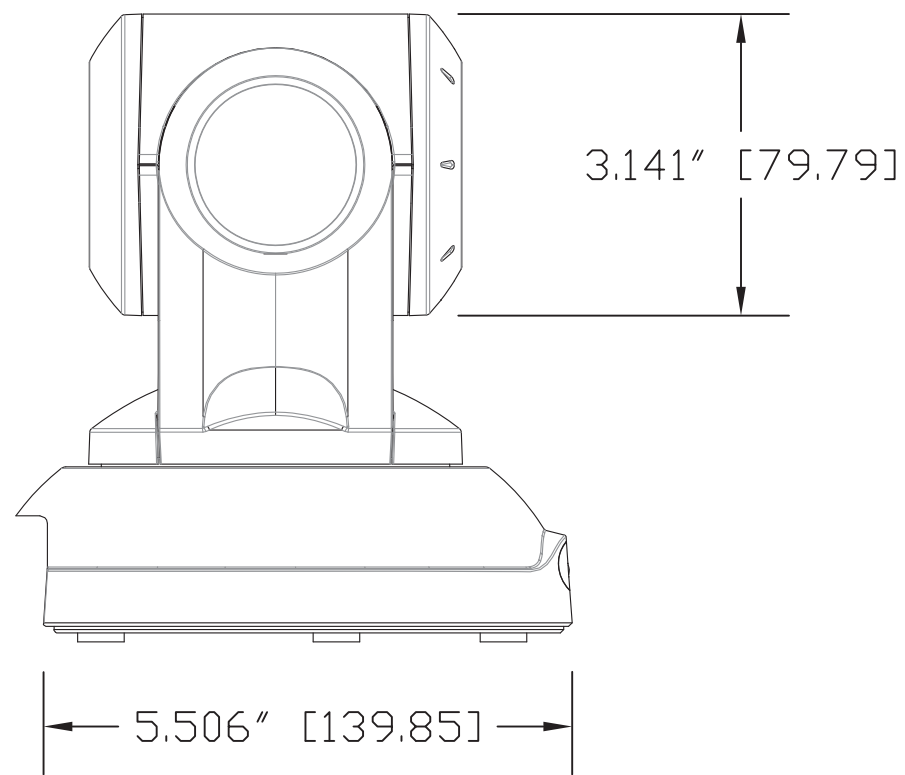


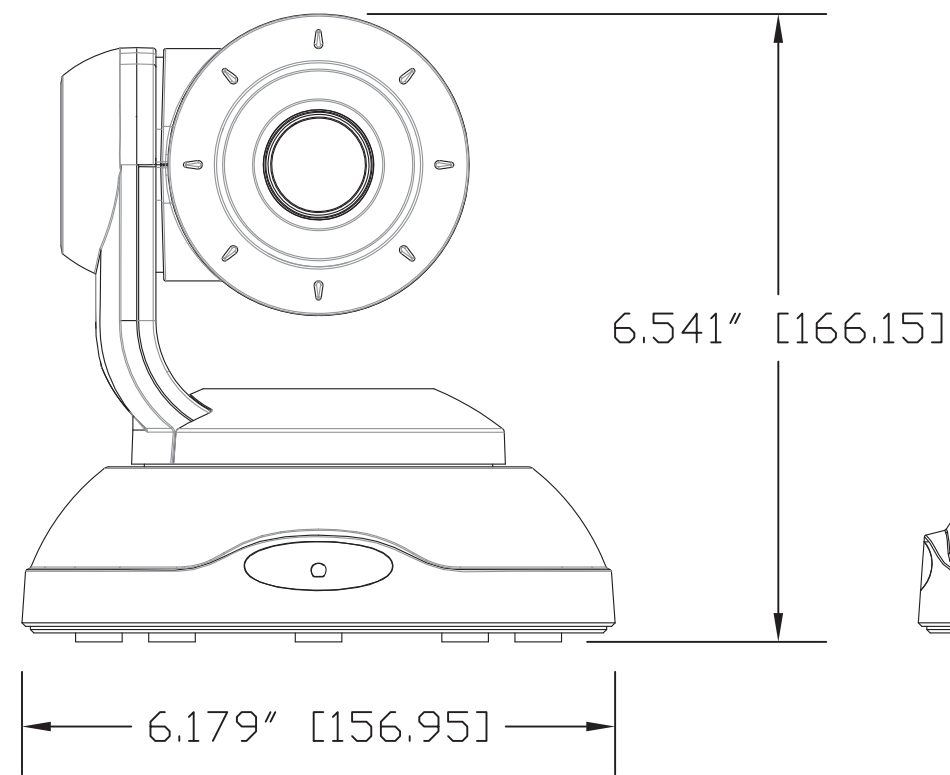
TOP VIEW



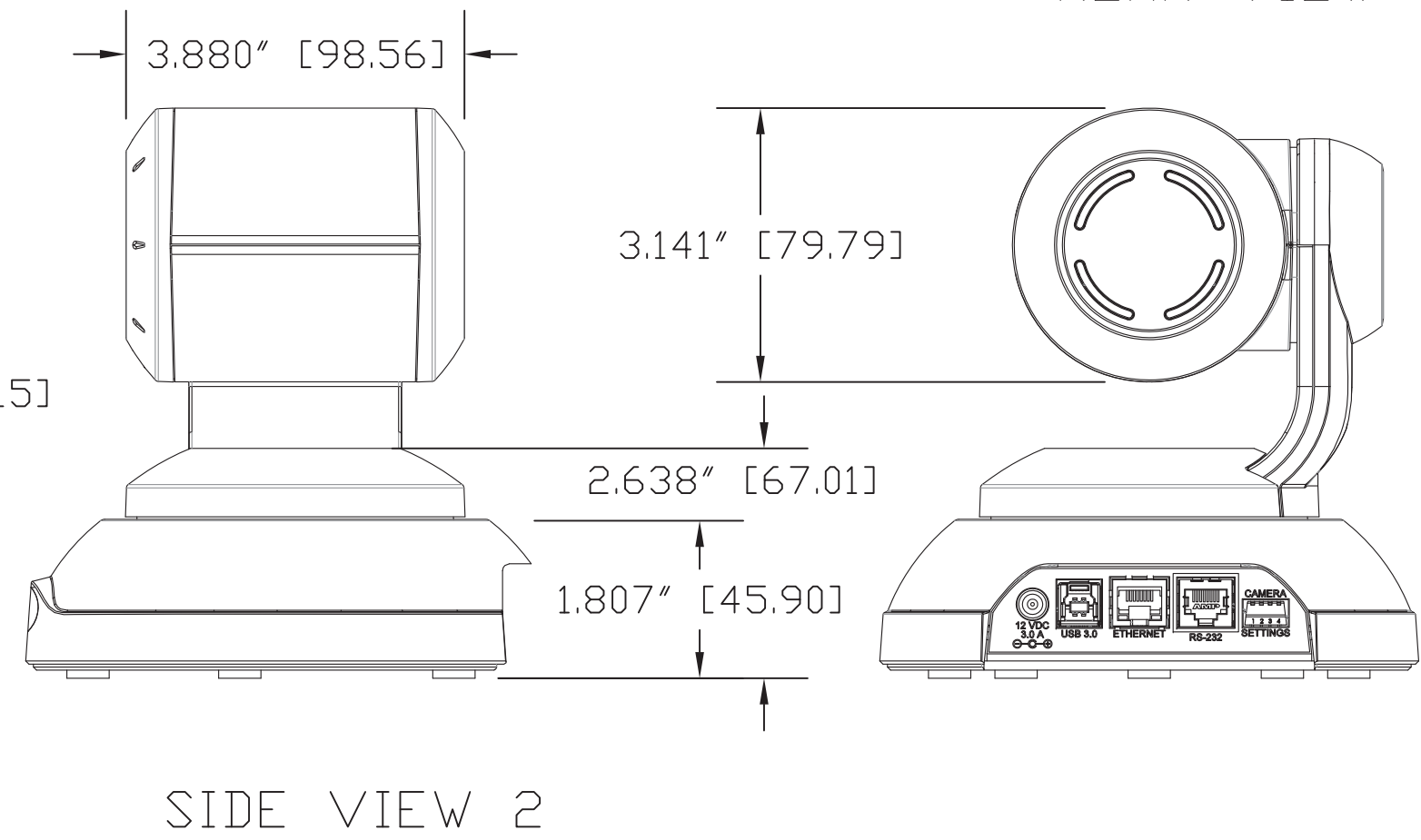
SIDE VIEW 1



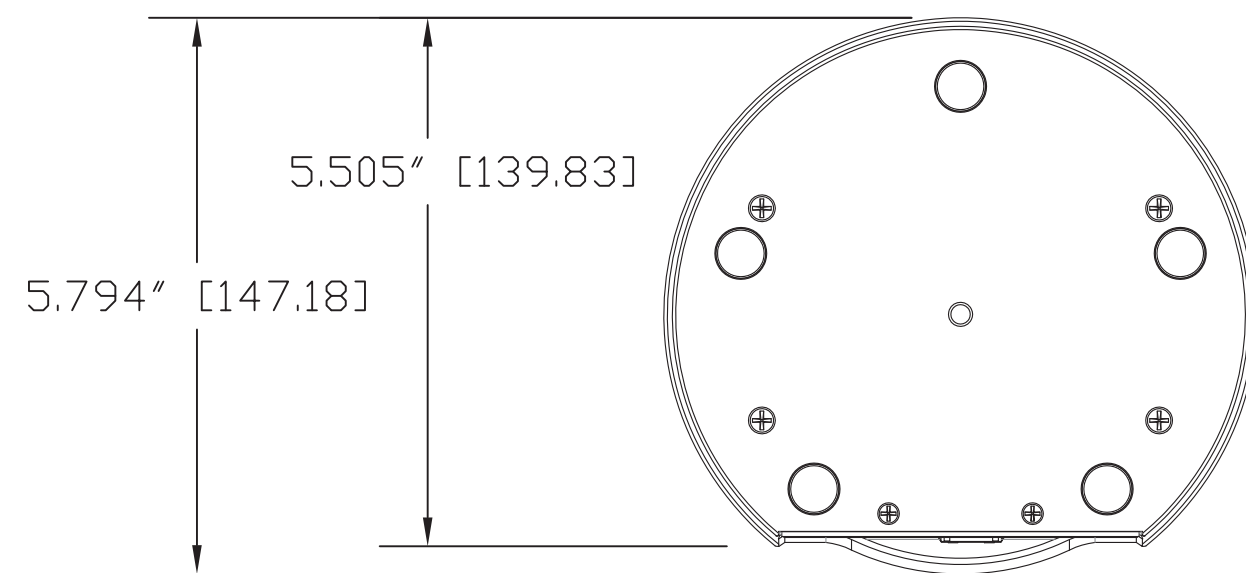
FRONT VIEW



REAR VIEW



SIDE VIEW 2



BOTTOM VIEW

			<small>GENERAL NOTES: DIMENSIONS ARE IN INCHES (mm) UNLESS OTHERWISE NOTED. DO NOT DISTRIBUTE WITHOUT EXPRESS WRITTEN PERMISSION OF VADDIO. DUE TO OUR CONTINUING EFFORTS TO ENHANCE OUR PRODUCTS, WE RESERVE THE RIGHT TO CHANGE SPECIFICATIONS WITHOUT PRIOR NOTICE OR OBLIGATION.</small>	
ClearSHOT 10 USB - HD PTZ Conferencing Camera				
Camera Assembly PN: 998-9990-000, System PN: 999-9990-000 Simultaneous USB 3.0 Streaming and IP Streaming Conferencing Camera				
DRAWN RAR/WLF	CHECKED	APPROVED RAR	DATE 11/23/2015	SD: 69365.9
<small>THIS DRAWING, INCLUDING ALL SUBJECT MATTERS INDICATED THEREON OR DERIVED THEREFROM, HERETOFORE, COMPRISES PROPRIETARY INFORMATION AND IS THE EXPRESS PROPERTY OF VADDIO. All Rights Reserved - Copyright 2015</small>				
MATERIALS Various	SCALE 1:2	DRAWING No. 9990-000	REV Rev A	
COMMENTS Tachyon Induction Sensors (TIS) - NOT INCLUDED	SIZE C			