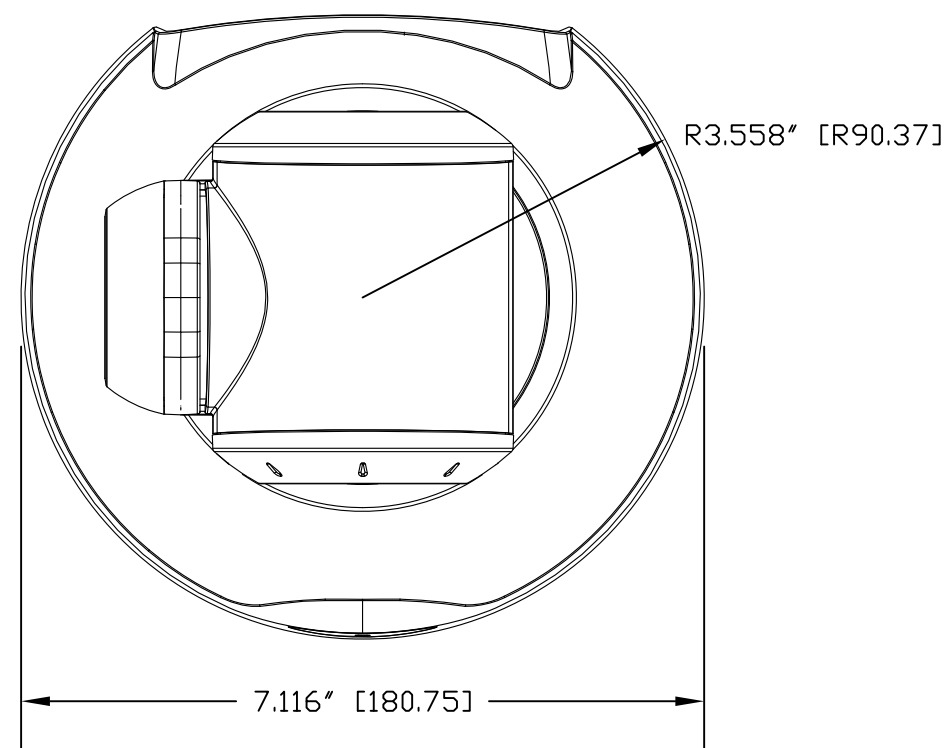
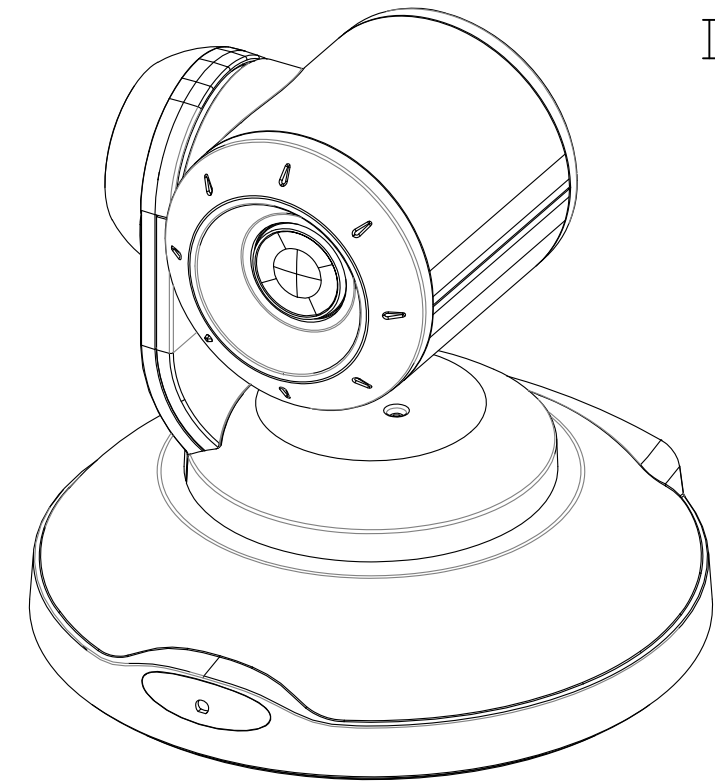


TOP VIEW

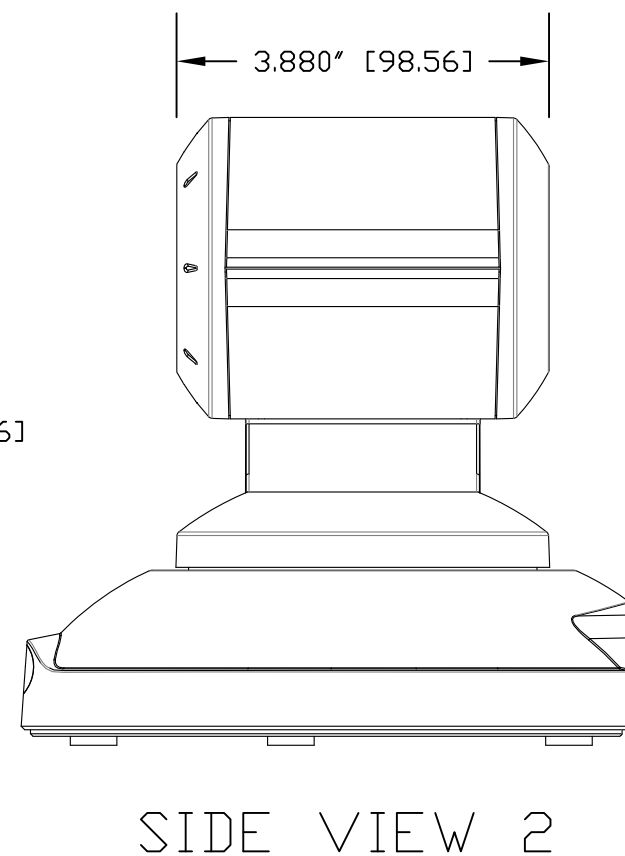
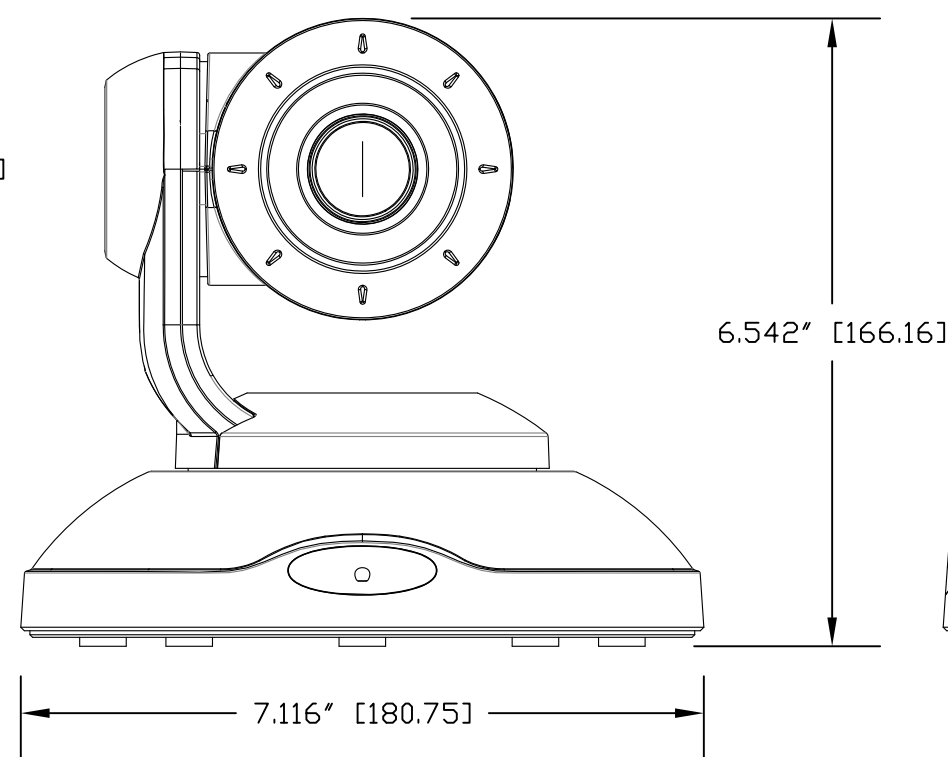
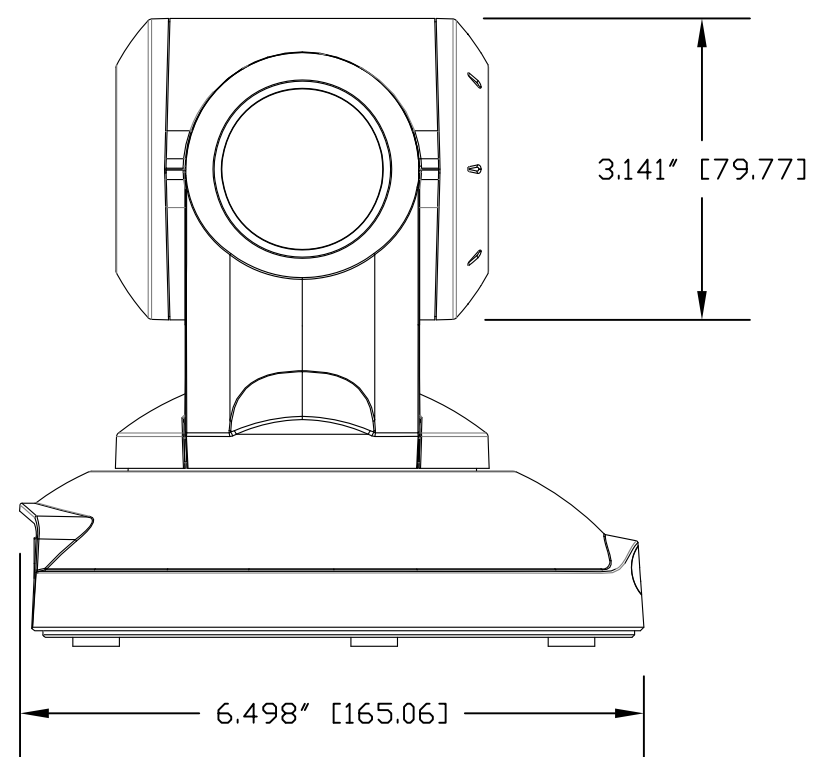


FRONT VIEW

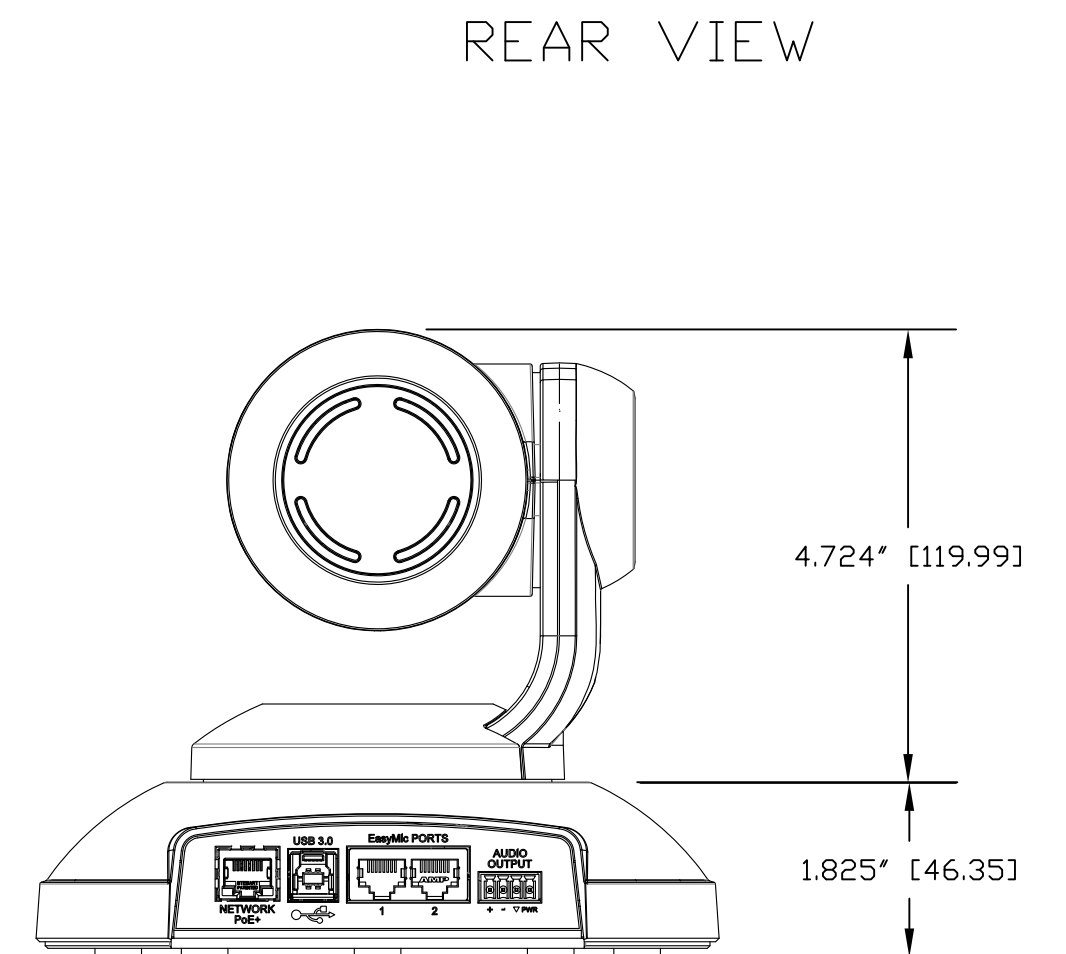


ISO VIEW

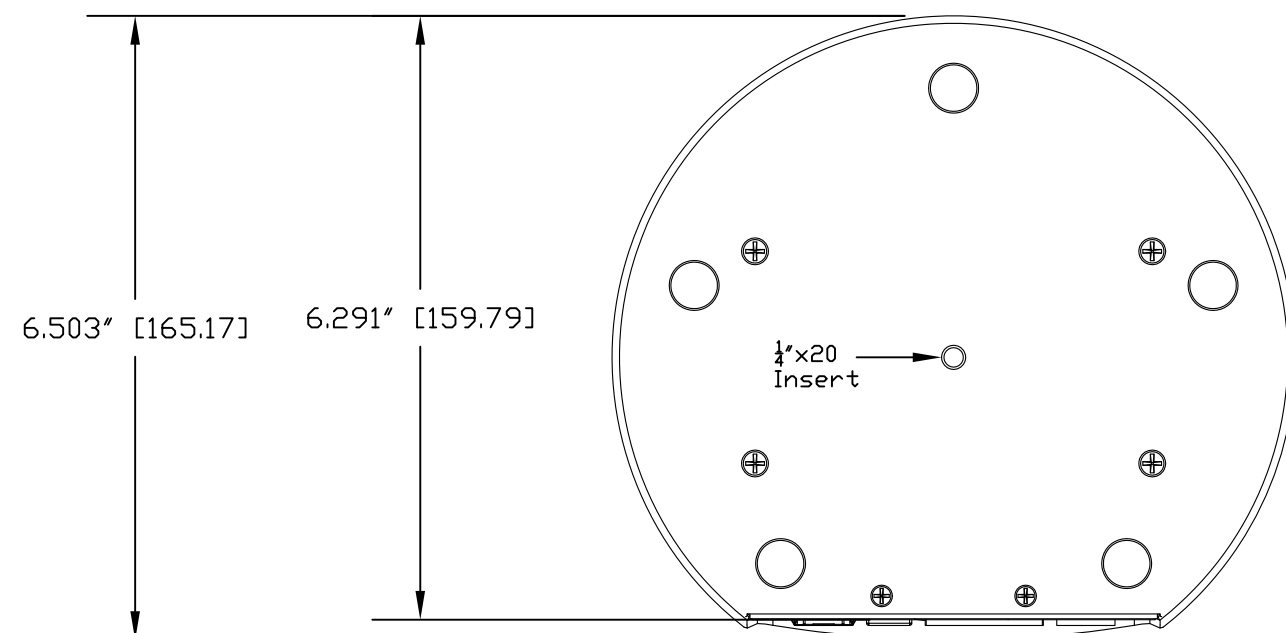
SIDE VIEW 1



SIDE VIEW 2



REAR VIEW



BOTTOM VIEW

		GENERAL NOTES: DIMENSIONS ARE IN INCHES (mm) UNLESS OTHERWISE NOTED. DO NOT DISTRIBUTE WITHOUT EXPRESS WRITTEN PERMISSION OF VADDIO. DUE TO OUR CONTINUING EFFORTS TO ENHANCE OUR PRODUCTS, WE RESERVE THE RIGHT TO CHANGE SPECIFICATIONS WITHOUT PRIOR NOTICE OR OBLIGATION.	
ConferenceSHOT AV			
Camera PN: 998-9995-000 North America, 998-9995-001 Int'l and 998-9995-009 AUS/NZ			
DRAWN RAR/WLF	CHECKED	APPROVED RAR	DATE 09/20/2016 SD: 70186.7
THIS DRAWING, INCLUDING ALL SUBJECT MATTERS INDICATED THERON OR DERIVED THEREFROM, HERETOFORE, CMPRISES PROPRIETARY INFORMATION AND IS THE EXPRESS PROPERTY OF VADDIO. All Rights Reserved - Copyright 2016			
MATERIALS Various		SCALE 1:2	DRAWING No. 9995-000
COMMENTS Photonic Dampening Inhibitor (PDI) - Not Included		SIZE C	REV Rev A