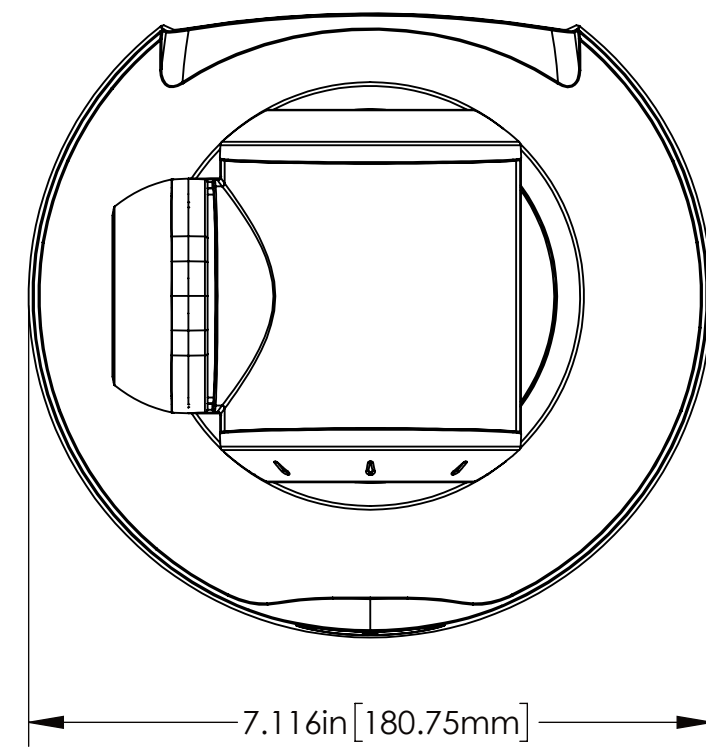
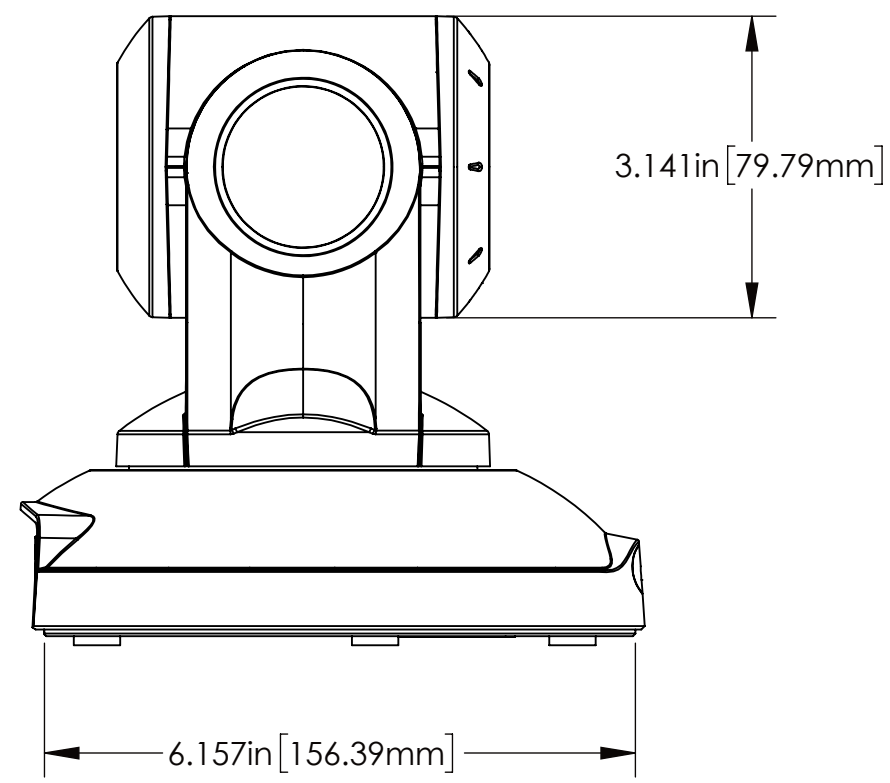


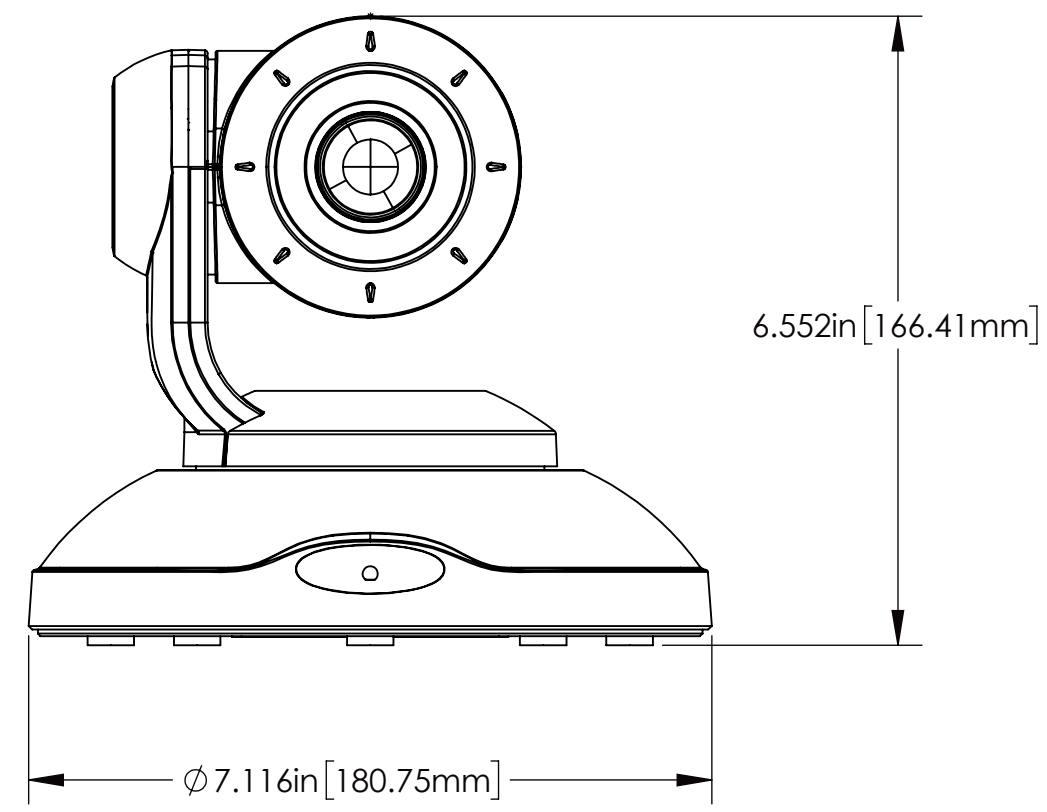
TOP VIEW



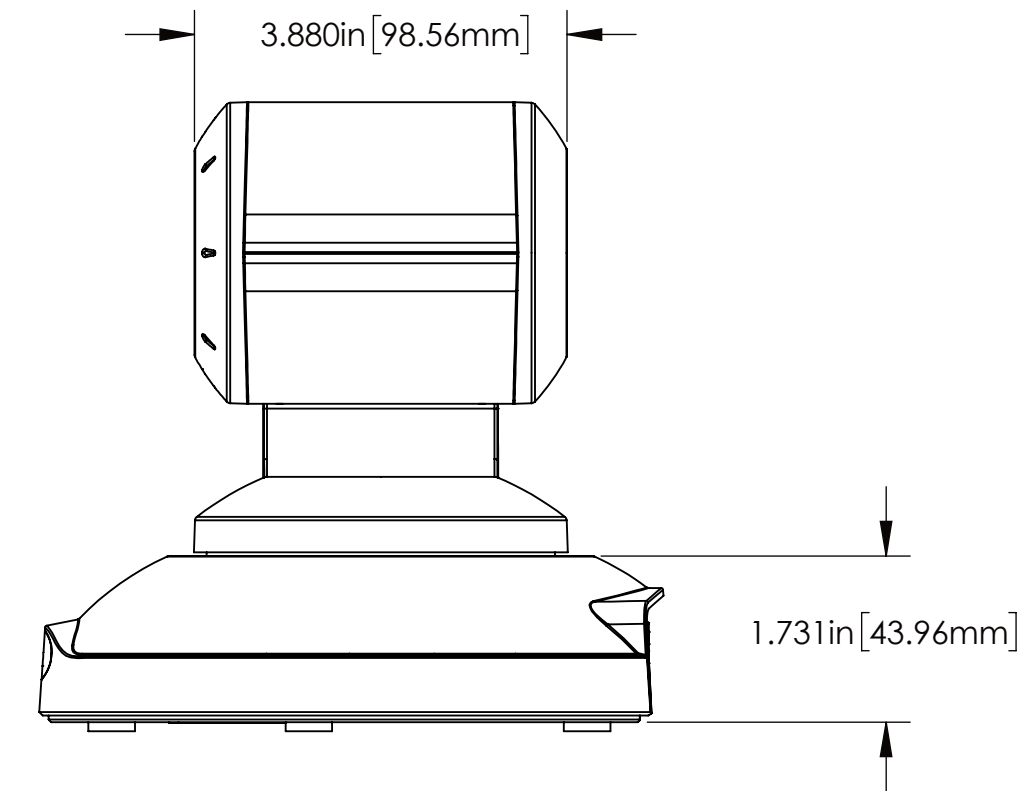
SIDE VIEW 1



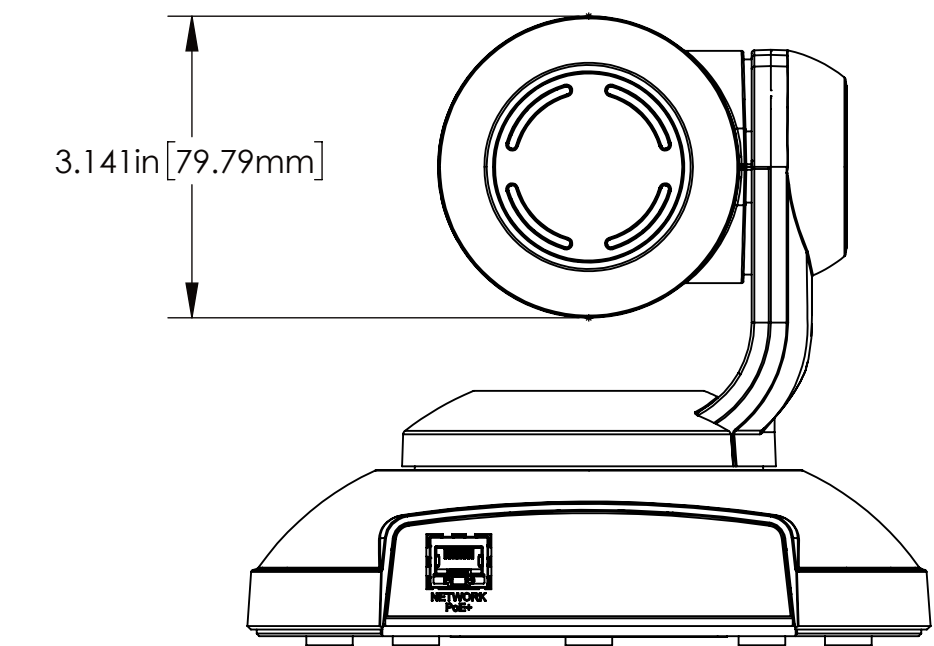
FRONT VIEW



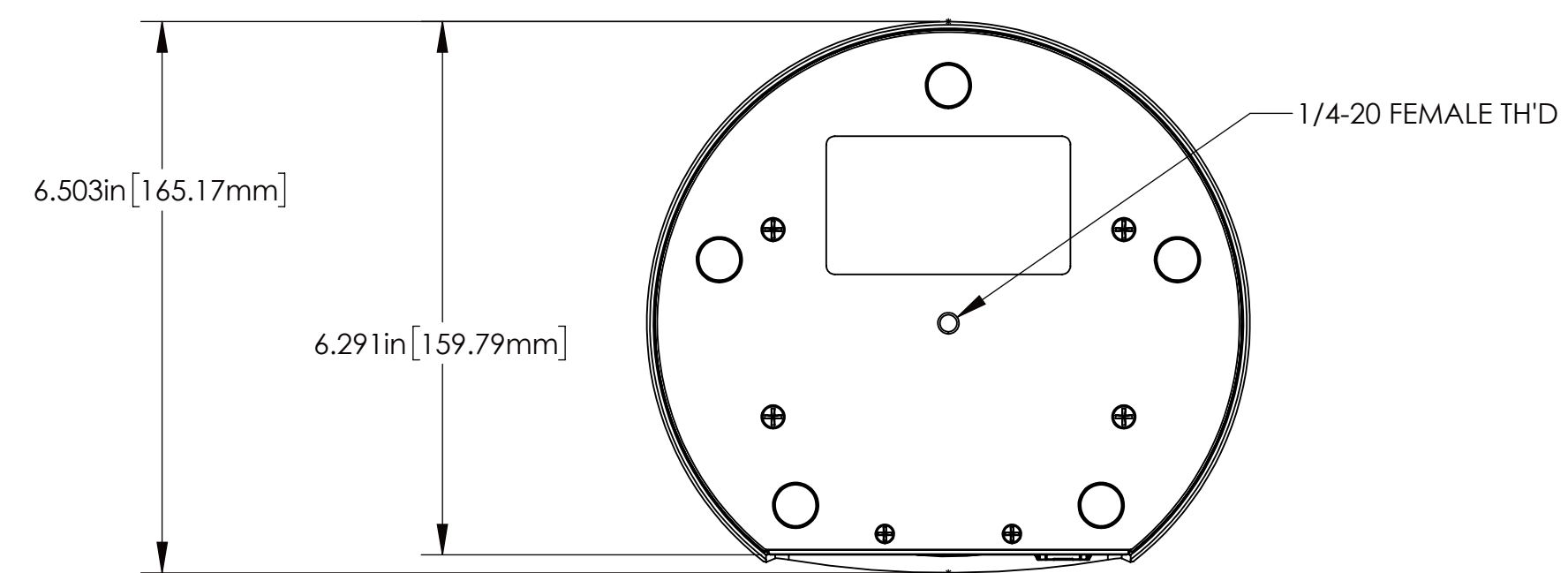
SIDE VIEW 2




REAR VIEW



BOTTOM VIEW



DRAWING NO.
998-30200-000

UNLESS OTHERWISE NOTED: DIMENSIONS ARE IN INCHES DIMENSIONAL LIMITS APPLY AFTER FINISH		THIS DRAWING, INCLUDING ALL SUBJECT MATTERS INDICATED THEREON OR DERIVED THEREFROM, COMPRSES PROPRIETARY INFORMATION AND IS THE EXPRESS PROPERTY OF LEGRAND AV INC. EMPLOYMENT, REPRODUCTION OF OR DISSEMINATION OF THIS DRAWING, IN WHOLE OR IN PART, WITHOUT WRITTEN PERMISSION OF LEGRAND AV INC. IS STRICTLY FORBIDDEN.	
MACHINED SURFACES 125 EDGES & FILLETS R .005/.015 FRACTIONS ± 1/32 ANGLES ± 1° DEC. XX = ± .015 XXX = ± .005 XXXX = ± .0002		 DRAWN: WLF CHECKED: APPROVED: DATE: 2/19/20 MATERIAL: VARIOUS SIZE: D FINISH: NONE SCALE: 1:2	
TITLE EasyIP 10 CAMERA	SHEET 1 OF 1	DRAWING NO. 998-30200-000	REV. A