

# RoboSHOT HD-SDI

## RoboSHOT 12 HD-SDI

999-9930-000 North America

999-9930-001 International

## RoboSHOT 30 HD-SDI

999-9933-000 North America (black)

999-9933-001 International (black)

999-9933-000W North America (white)

999-9933-001W International (white)



342-0984 (Black)  
342-0984-1 (White)



998-2100-000



998-1001-232

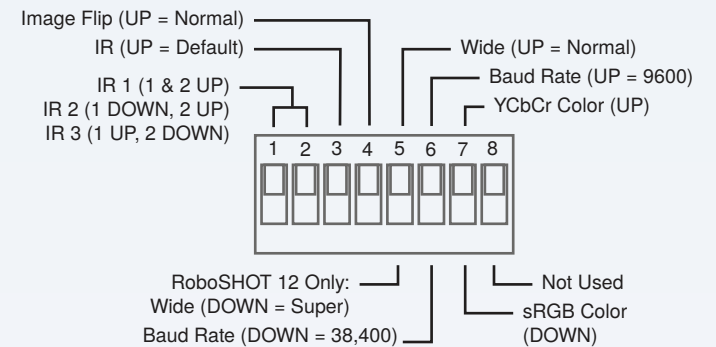


North America

International



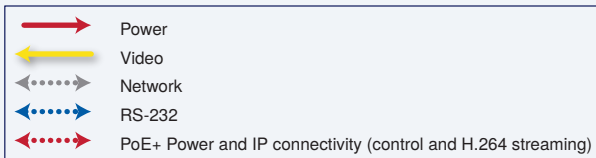
Connectors are the same on all RoboSHOT HD-SDI models



All UP = Default

All DOWN = Restore Factory Settings on Power-Up

## PoE+ Power



© 2015 Vaddio. All rights reserved.

Vaddio™, RoboSHOT™, and ProductionVIEW™ are trademarks of Vaddio LLC.

Visit us at [support.vaddio.com](http://support.vaddio.com) for firmware updates and complete product information - specifications, drawings, manuals, technical support information, and more.

## Local Power

Document 342-1075 Rev A  
09-25-2015

