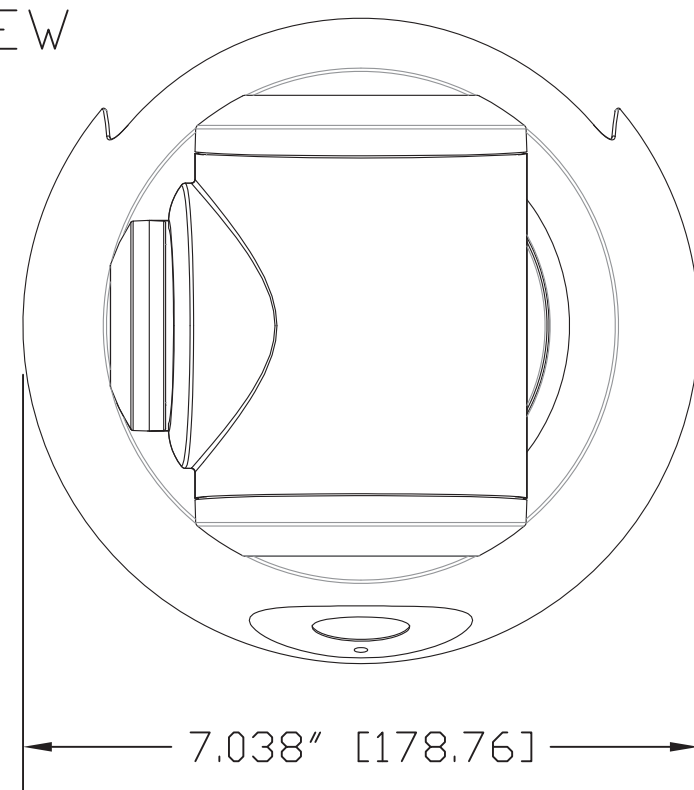
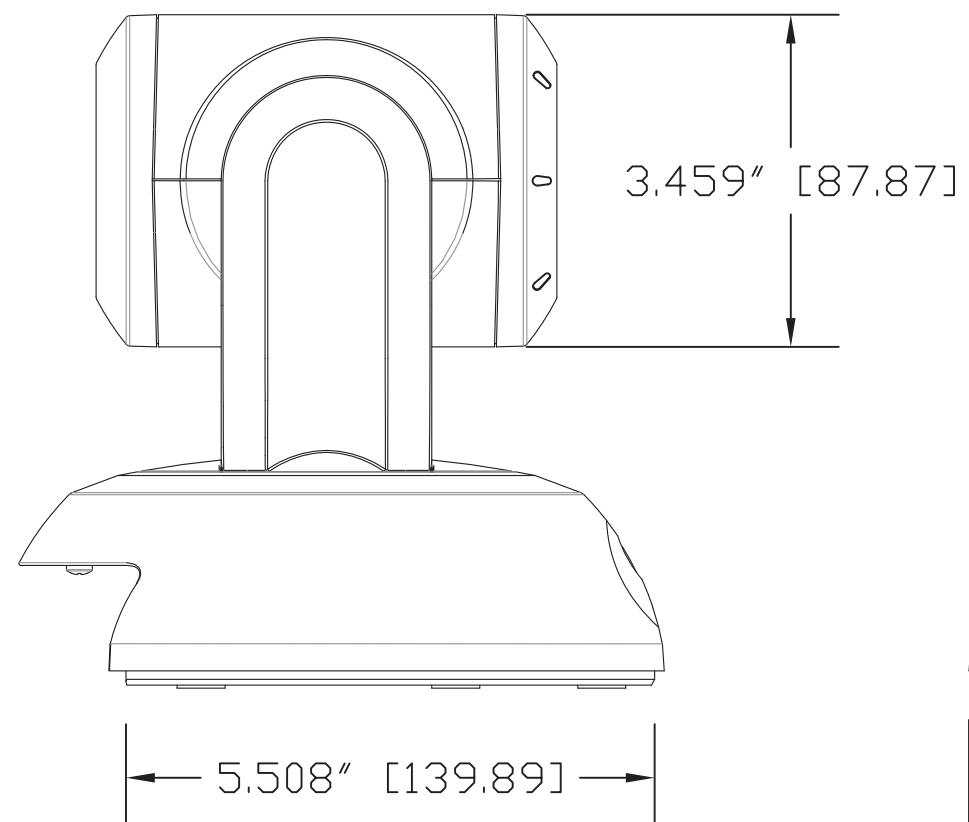


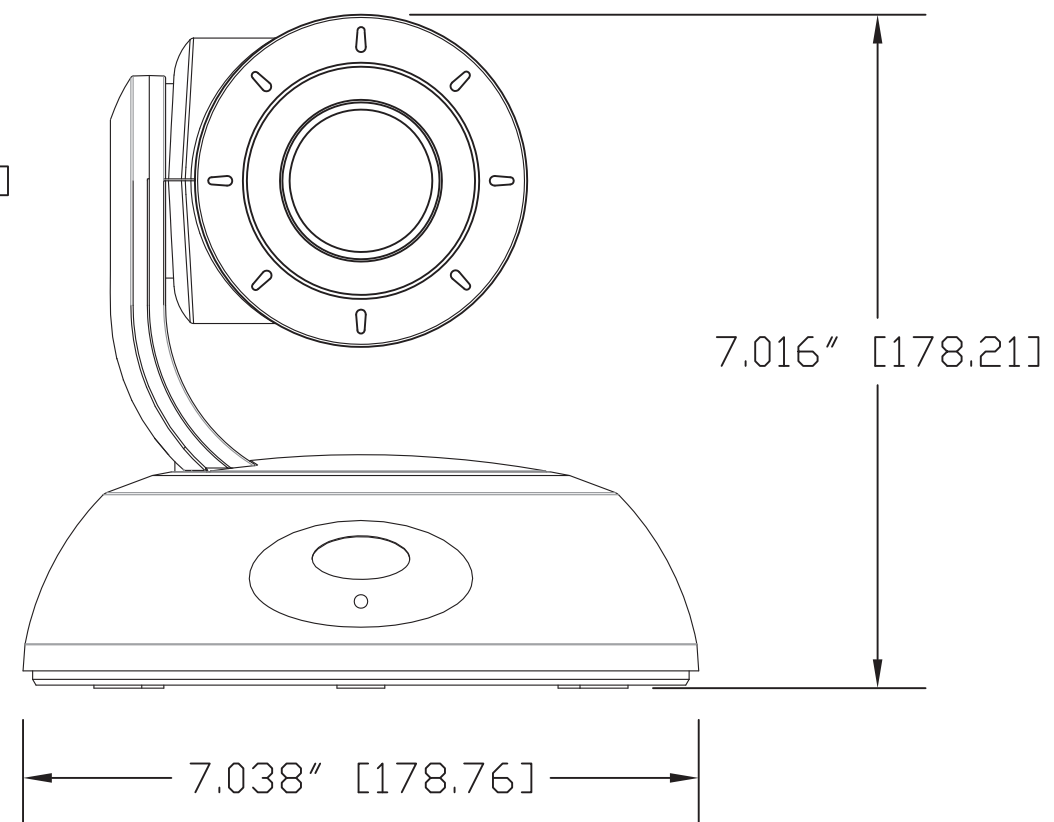
TOP VIEW



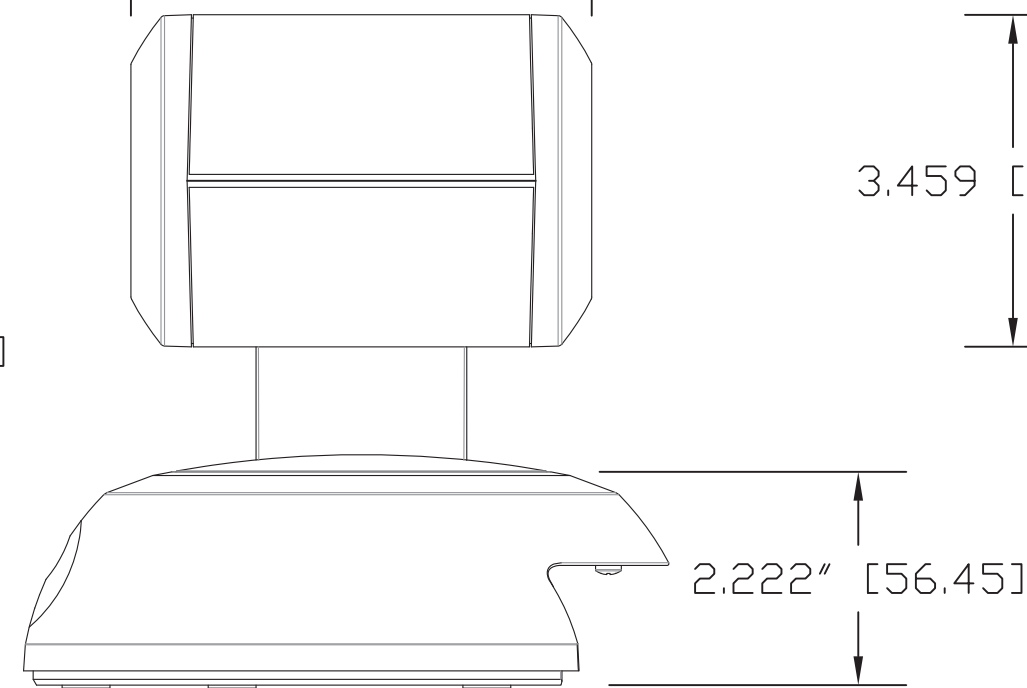
SIDE VIEW 1



FRONT VIEW

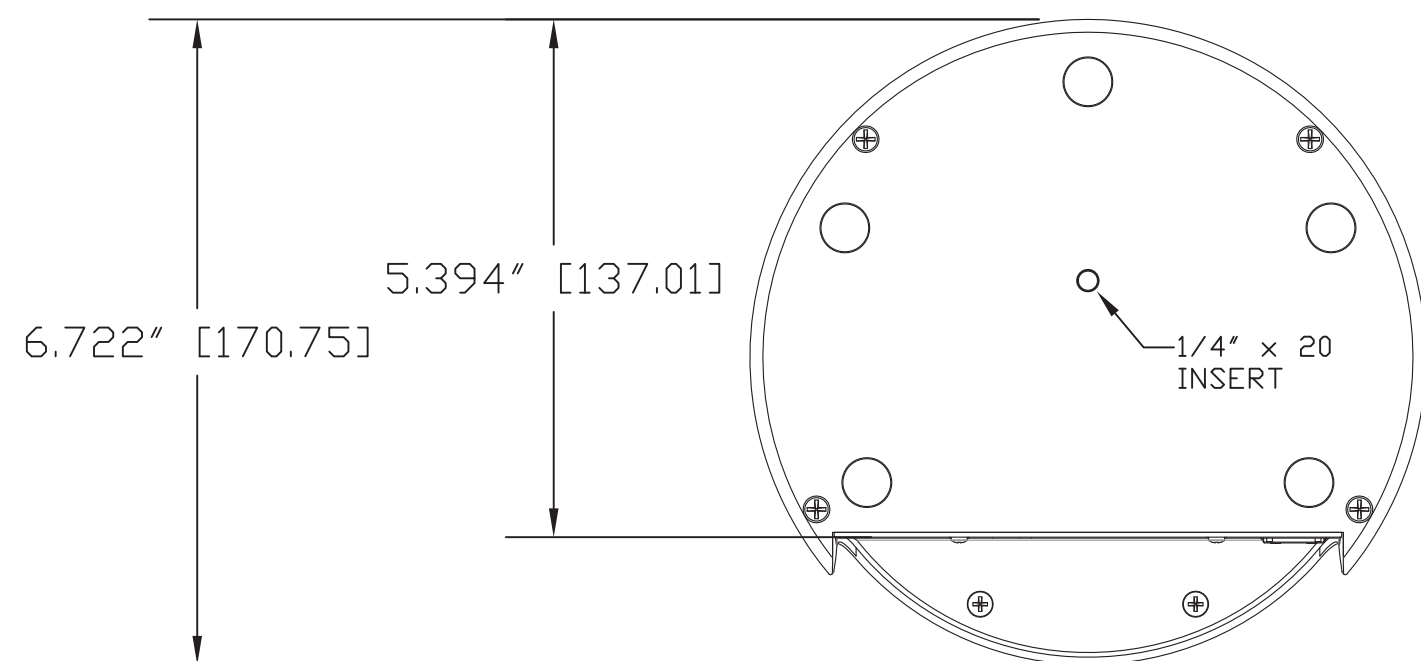
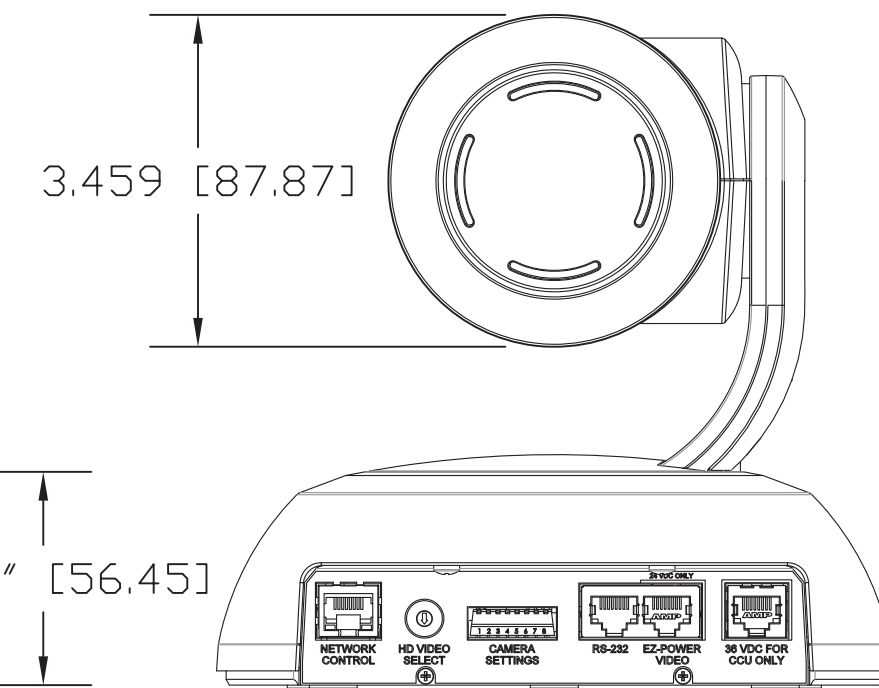


4.800" [121.92]



SIDE VIEW 2

REAR VIEW



BOTTOM VIEW

vaddio

GENERAL NOTES:  
DIMENSIONS ARE IN INCHES (mm) UNLESS OTHERWISE NOTED.  
DO NOT DISTRIBUTE WITHOUT EXPRESS WRITTEN PERMISSION  
OF VADDIO. DUE TO OUR CONTINUING EFFORTS TO ENHANCE  
OUR PRODUCTS, WE RESERVE THE RIGHT TO CHANGE  
SPECIFICATIONS WITHOUT PRIOR NOTICE OR OBLIGATION.

RoboSHOT 30 HD PTZ Camera (30X Optical Zoom)

Camera Package PN: 998-9910-000  
Cat-5/5e/6 Type Connectivity - Requires System with Quick-Connect Interface

DRAWN RAR/WLF	CHECKED	APPROVED RAR	DATE 01/28/2015 SD: 68541.9
------------------	---------	-----------------	-----------------------------------

THIS DRAWING, INCLUDING ALL SUBJECT MATTERS INDICATED THEREON OR DERIVED THEREFROM, HERETOFORE, COMPRISES PROPRIETARY INFORMATION AND IS THE EXPRESS PROPERTY OF VADDIO. All Rights Reserved - Copyright 2015

MATERIALS Various	SCALE 1:2	DRAWING No. 9910-000	REV Rev B
COMMENTS Image Displacement Translator (IDT) - NOT INCLUDED	SIZE C		