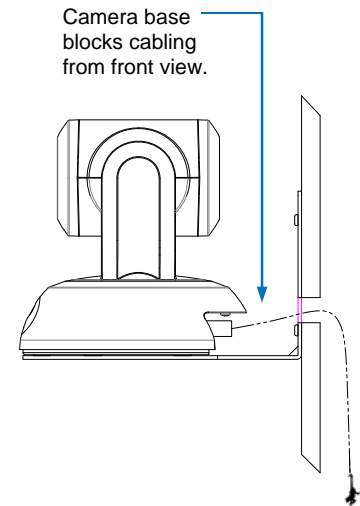
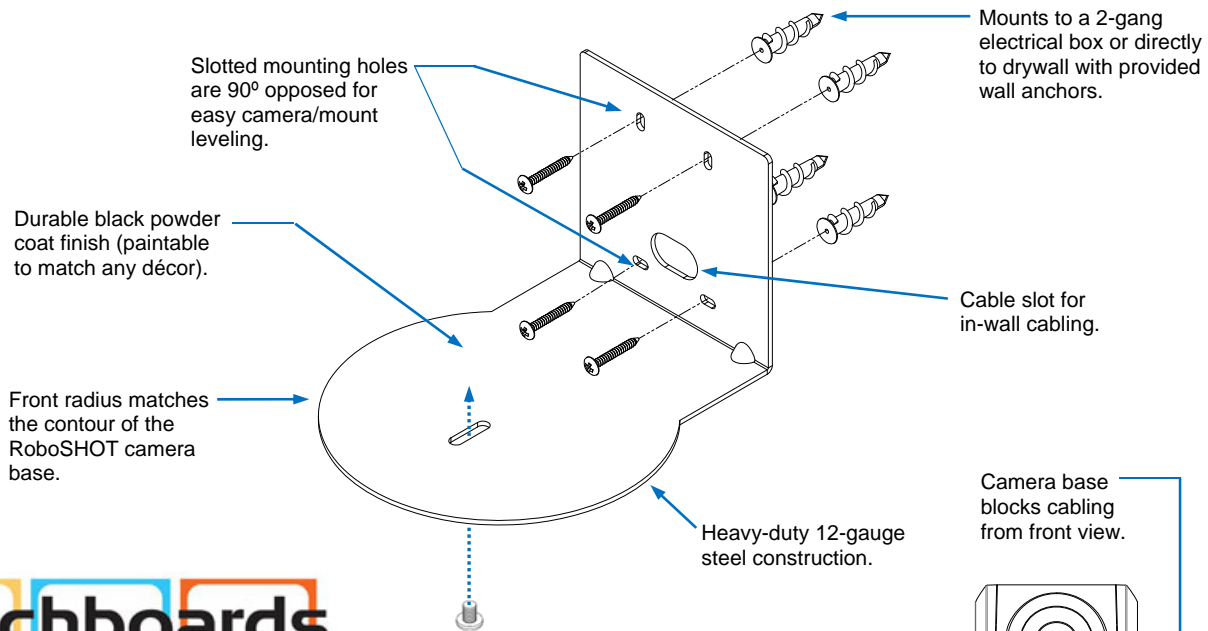


Thin Profile Wall Mount for the RoboSHOT™ Cameras

Part Numbers:

535-2000-240 (Black)

535-2000-240W (White)



205 Westwood Ave, Long Branch, NJ 07740
Phone: 866-94 BOARDS (26273) / (732)-222-1511
Fax: (732)-222-7088 | E-mail: sales@touchboards.com

UNPACKING:

Carefully remove the product from the packaging and identify the following parts:

- One (1) Thin Profile Mount for RoboSHOT Cameras (camera not included)
- One (1) ¼" x 20 x .375 Screw to attach camera to mount
- Four (4) #8 x 1.25" Sheet Metal Screws
- Four (4) Self-Drilling Wall Anchors
- Manual

MOUNTING THE CAMERA:

The Thin Profile Wall Mount for the RoboSHOT cameras can be mounted to a 2-gang wall electrical wall box or be mounted directly to a drywall surface with the supplied wall anchors or other spiral type wall anchors of the integrator's choice. The slotted mounting holes are 90° opposed from top to bottom to ensure that the camera can be adjusted and mounted level. When locating the camera, consider viewing angles, lighting conditions, possible line of site obstructions and check for in-wall obstructions where the camera is to be mounted. Always pick a mounting location to optimize the performance of the camera. Dimensional drawings (DWG and PDF) are available at vaddio.com.

INTENDED USE:

This Thin Profile Wall Mount was designed, built and tested for use indoors and to support the weight, size and shape of the Vaddio RoboSHOT camera only. Using this wall mount for any other purpose could certainly create a potentially unsafe operating condition, really.

HARDWARE WARRANTY:

Please see the Vaddio website at support.vaddio.com for the Vaddio Statement of Warranty for all Vaddio Products. The Statement of Warranty covers the policies and procedures of the Hardware Warranty, Exclusions, Customer Service, Technical Support, Return Material Authorizations (RMA), Voided Warranty, Shipping, Handling and Products Not Under Warranty. The Vaddio Warranty Statement supercedes all other published warranty statements heretofore in content and coverages. Vaddio Technical Support can be contacted through the Vaddio website or through e-mail support at support@vaddio.com.