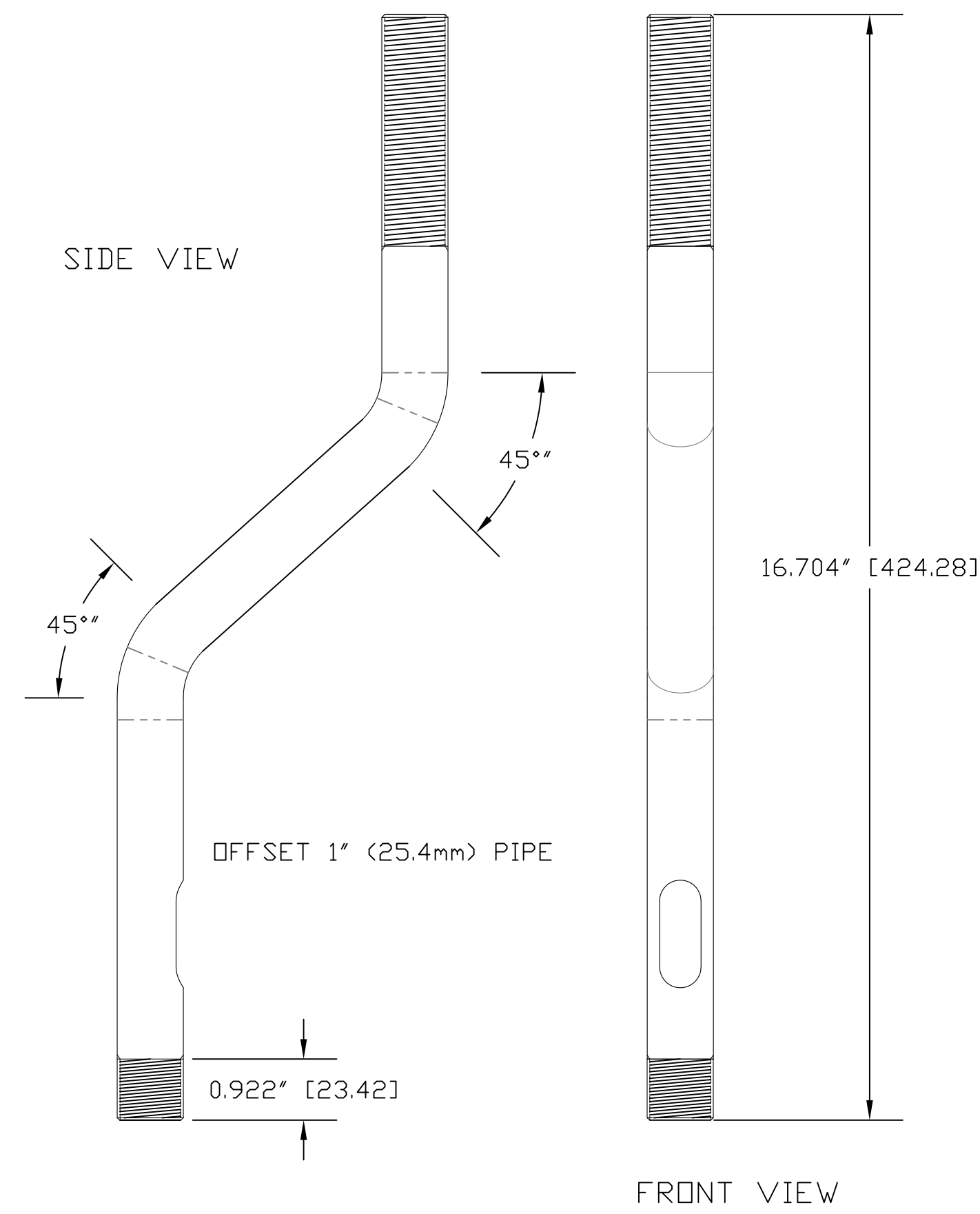
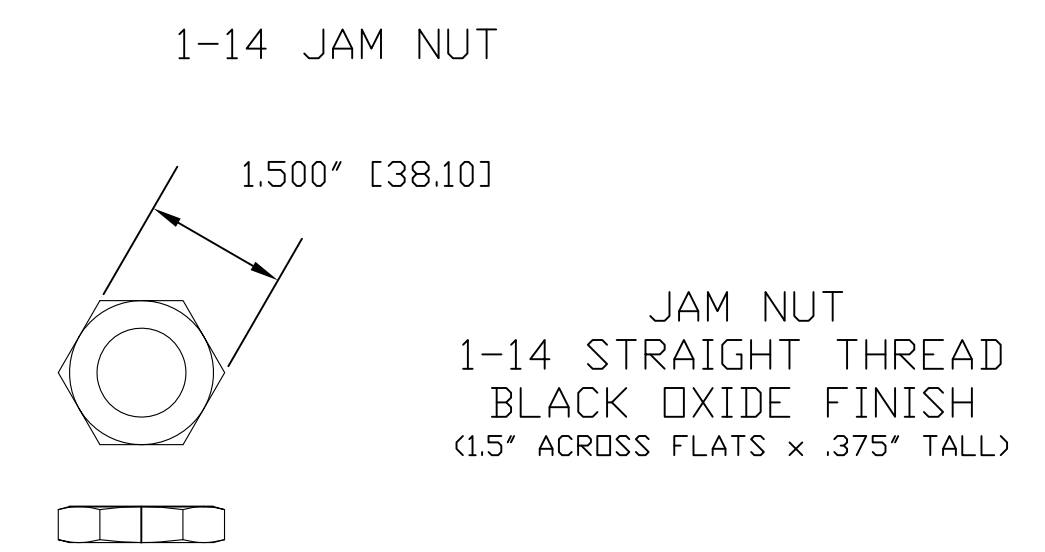
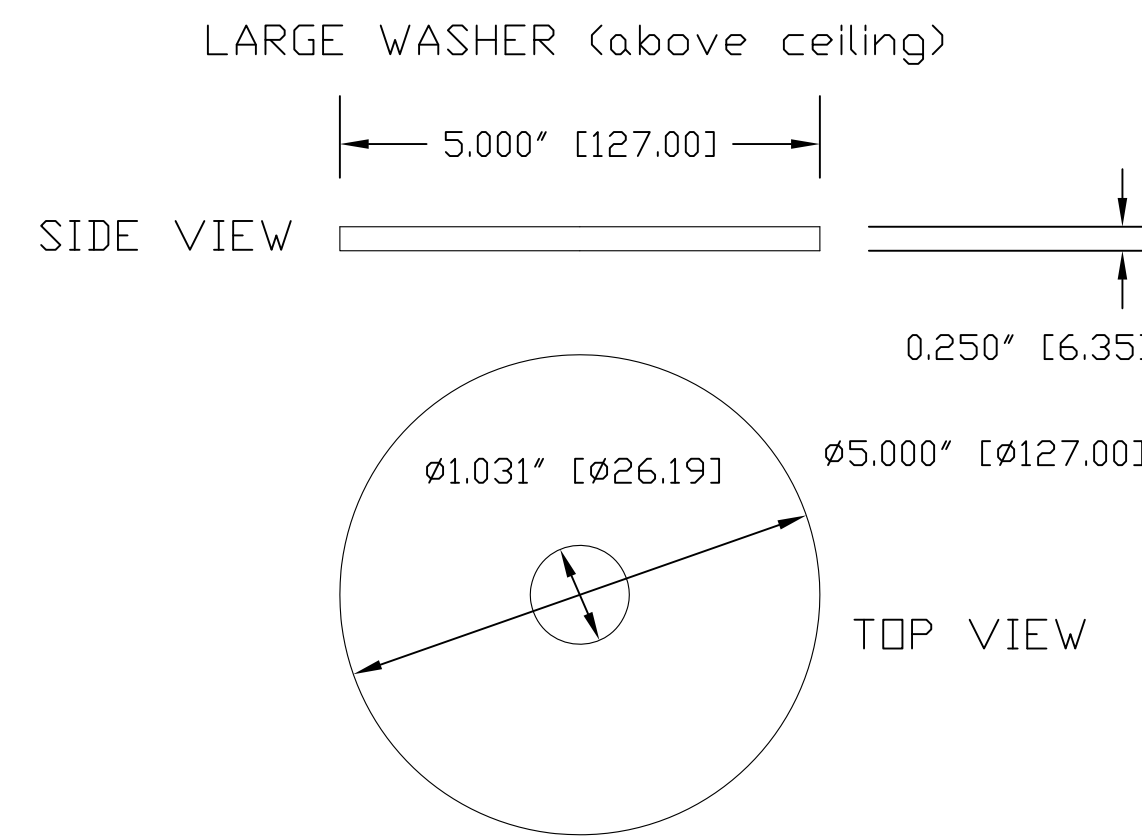
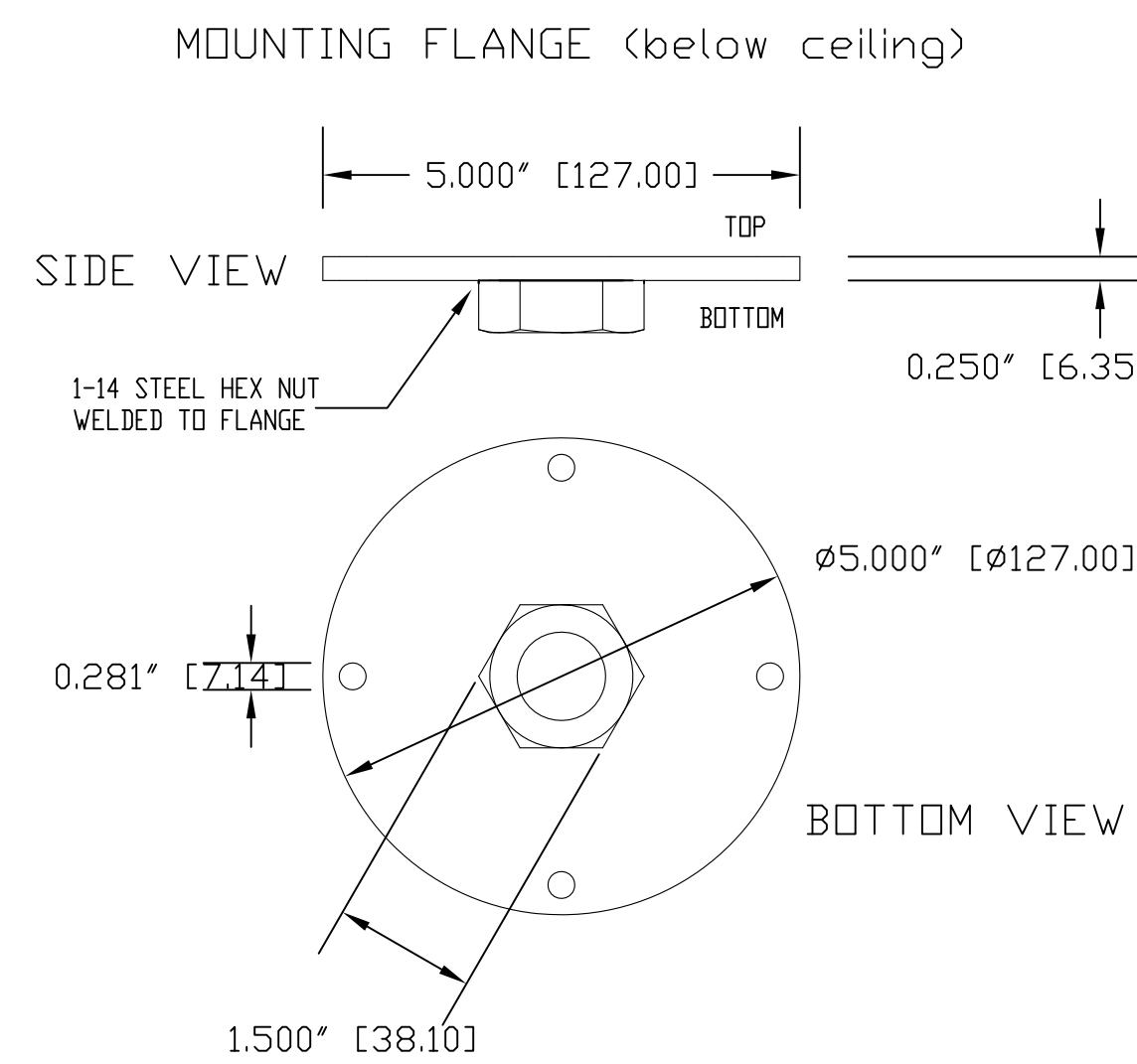
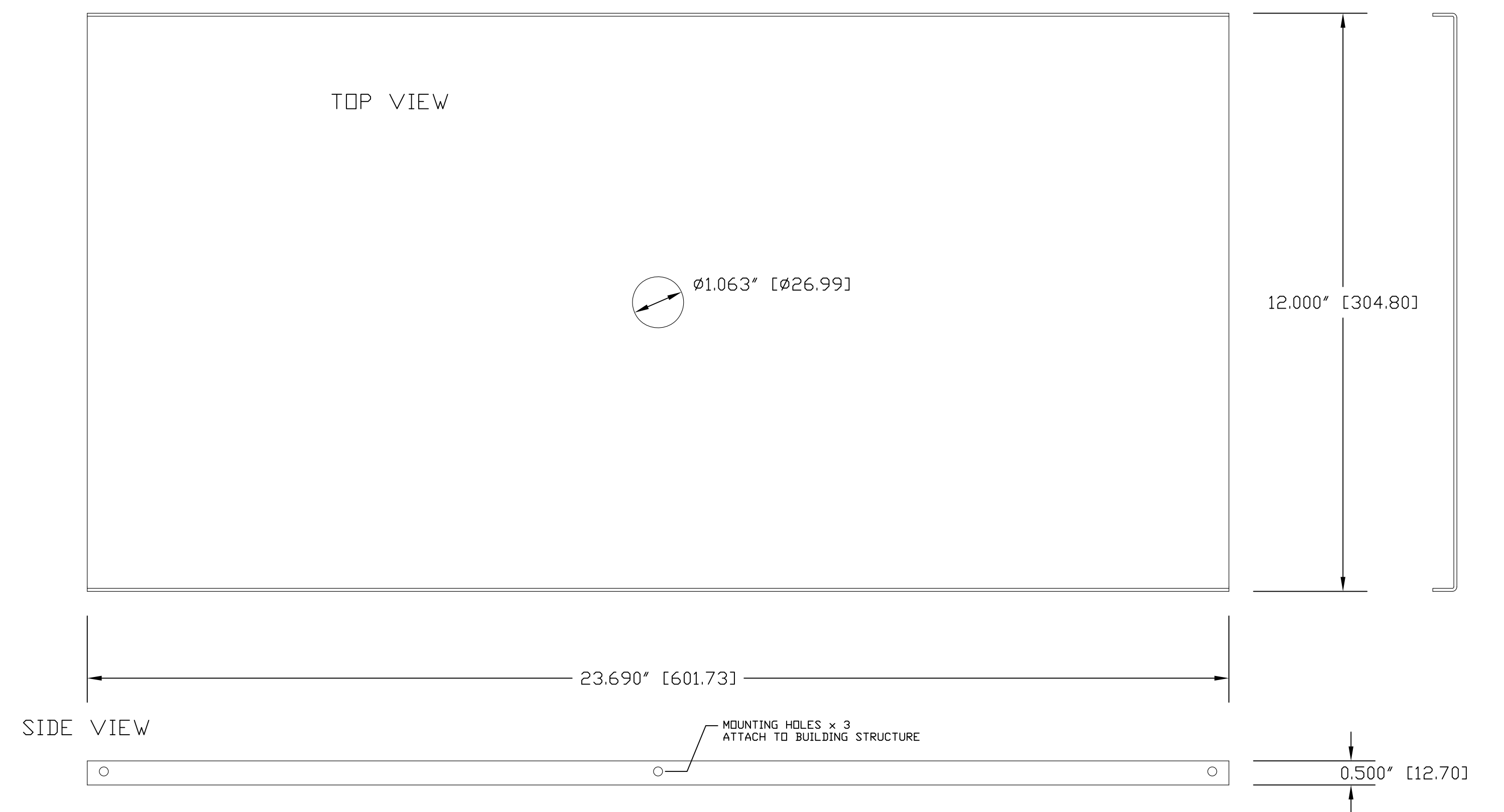


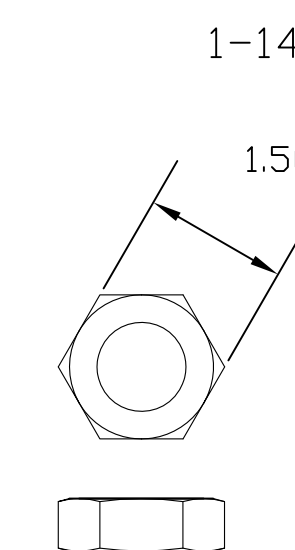
Double Decker  
RoboTRAK Wall Mount  
(shipped with RoboTRAK  
IR Camera only)



TILE SUPPORT BRACE



JAM NUT  
1-14 STRAIGHT THREAD  
BLACK OXIDE FINISH  
(1.5" ACROSS FLATS x .375" TALL)



LARGE HEX NUT  
1-14 STRAIGHT THREAD  
2 HEX NUTS PER SKU  
1-FASTENER NUT, 1-JAM NUT  
FOR USE ABOVE CEILING TILE  
(1.5" ACROSS FLATS x .547" TALL)

<b>vaddio</b>		GENERAL NOTES: DIMENSIONS ARE IN INCHES (mm) UNLESS OTHERWISE NOTED. DO NOT DISTRIBUTE WITHOUT EXPRESS WRITTEN PERMISSION OF VADDIO. DUE TO OUR CONTINUING EFFORTS TO ENHANCE OUR PRODUCTS, WE RESERVE THE RIGHT TO CHANGE SPECIFICATIONS WITHOUT PRIOR NOTICE OR OBLIGATION.	
OPTIONAL: Vaddio Offset Drop-down Ceiling Mount for RoboTRAK.			
VADDIO PART NUMBER 535-2000-045			
DRAWN WLF/RAR	CHECKED	APPROVED RAR	DATE 11/15/2016
THIS DRAWING, INCLUDING ALL SUBJECT MATTERS INDICATED THEREON OR DERIVED THEREFROM, COMPRISES PROPRIETARY INFORMATION AND IS THE EXPRESS PROPERTY OF VADDIO. All Rights Reserved - Copyright 2016			
MATERIALS EKS 11 GAUGE @.120", 1" OD PIPE	SCALE 1:2	DRAWING No. 2000-045	REV REV A
FINISH BLACK POWDERCOAT FINISH - Cardinal C241-8K363	SIZE D		