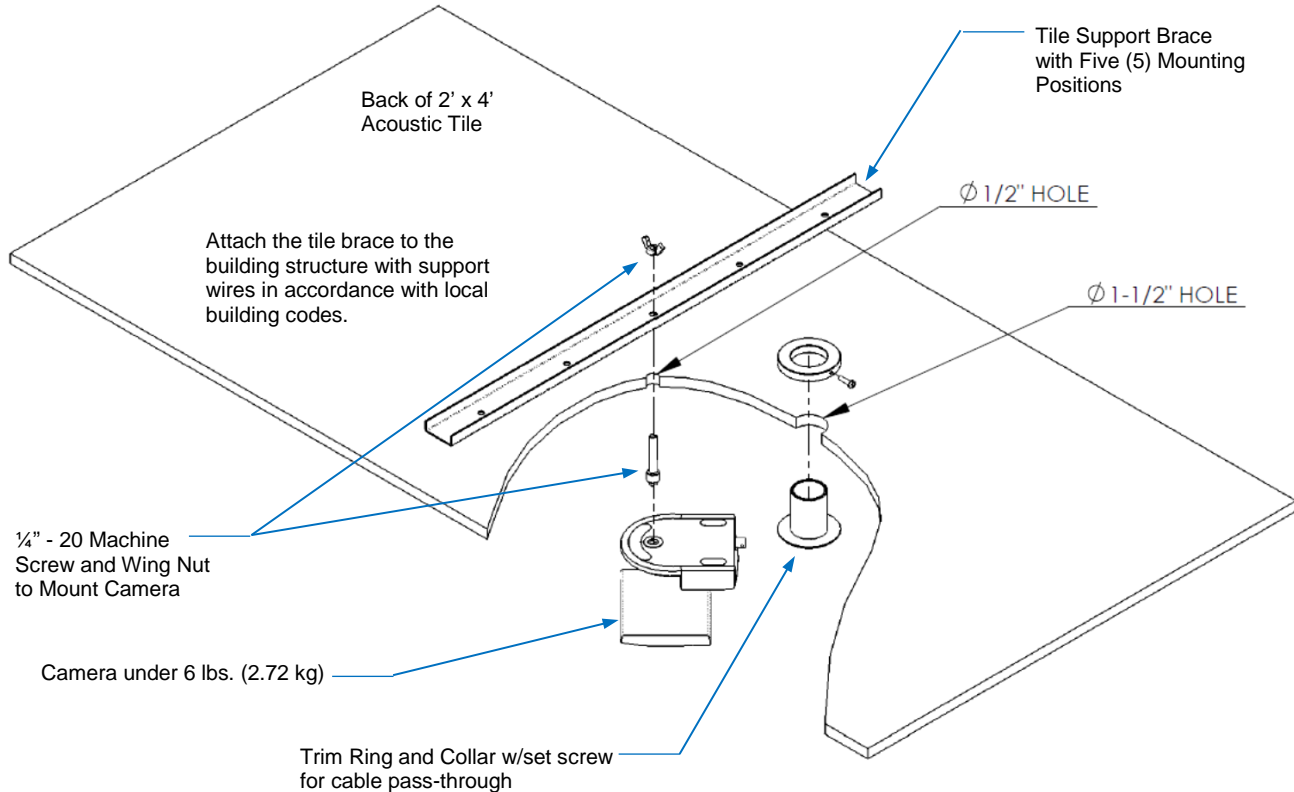




SUSPENDED CEILING MOUNT FOR PTZ CAMERAS

Part Number: 535-2000-206



UNPACKING

Carefully remove the product from the packaging and identify the following parts:

- One (1) Tile Support Brace U-channel
- One (1) 1/4 -20 Machined Screw with Wing Nut
- One Trim Ring (white)
- One (1) Trim Ring Collar with Set Screw

MOUNTING THE CAMERA

When locating the camera, consider viewing angles, lighting conditions, possible line of site obstructions and check for in-ceiling obstructions where the camera is to be mounted. When installing the camera on a 2'x4' or 2'x2' ceiling tile, locate the Tile Support Brace so the entire tile is spanned across the 2' dimension and the weight is distributed evenly into the ceiling grid. Use one of the five (5) mounting positions to mount the camera. Use at least two of the other mounting positions to tie the brace up to the building structure.

INTENDED USE

This Suspended Ceiling Mount was designed, built and tested for use indoors and to support the weight of a camera less than 6 lbs. (2.72 kg) when installed as described. Using this mount in any other way may create potentially unsafe and undesirable conditions.

HARDWARE WARRANTY

Please see the Vaddio website at support.vaddio.com for the Vaddio Statement of Warranty for all Vaddio Products. The Statement of Warranty covers the policies and procedures of the Hardware Warranty, Exclusions, Customer Service, Technical Support, Return Material Authorizations (RMA), Voided Warranty, Shipping, Handling and Products Not Under Warranty. Vaddio Technical Support can be contacted through the Vaddio website or through e-mail support.



Vaddio is a brand of Milestone AV Technologies · www.vaddio.com

Phone 800.572.2011 / +1.763.971.4400 · Fax +1.763.971.4464 · Email info@vaddio.com

Visit us at support.vaddio.com for firmware updates, specifications, drawings, manuals, technical support information, and more. Vaddio and RoboSHOT are trademarks or registered trademark of Milestone AV Technologies. All other brand names or marks are used for identification purposes and are trademarks of their respective owners.

In British Columbia, Milestone AV Technologies ULC carries on business as MAVT Milestone AV Technologies ULC.

©2018 Milestone AV Technologies

Document 342-0902 Rev B