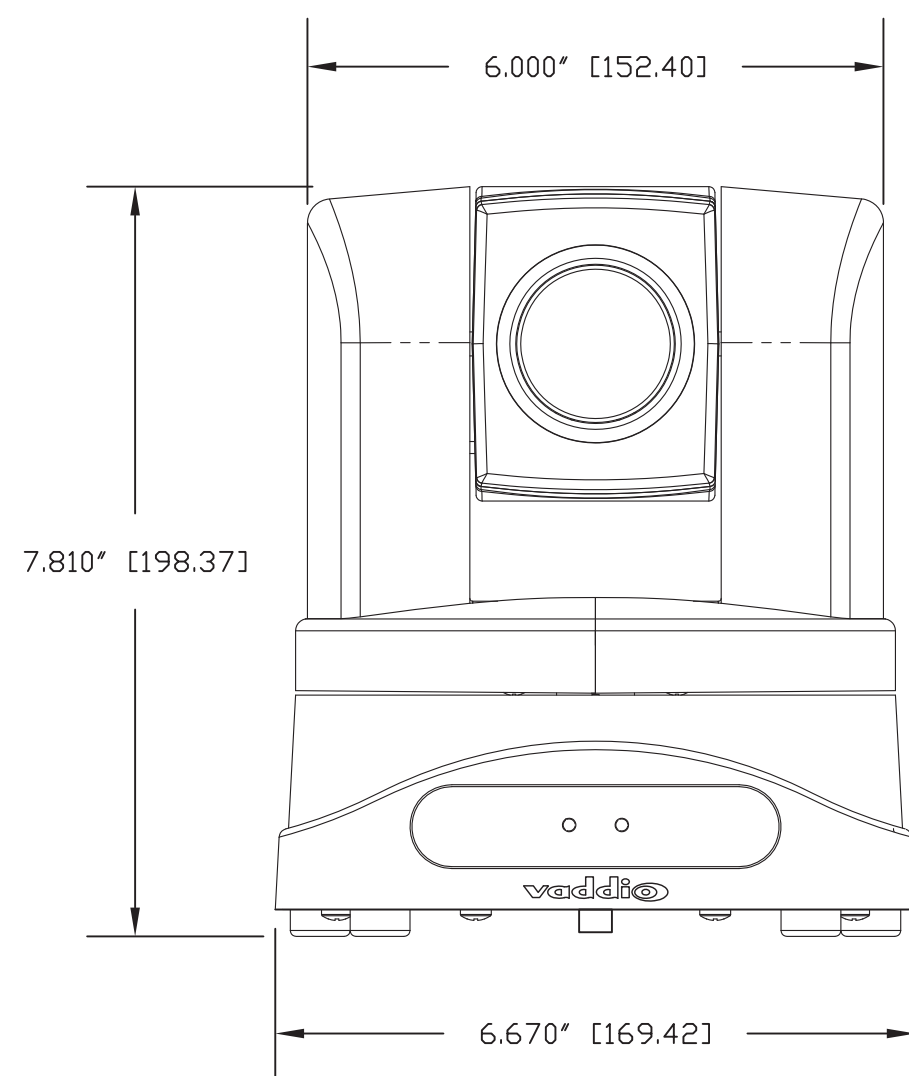


6.670" [169.42]

FRONT VIEW

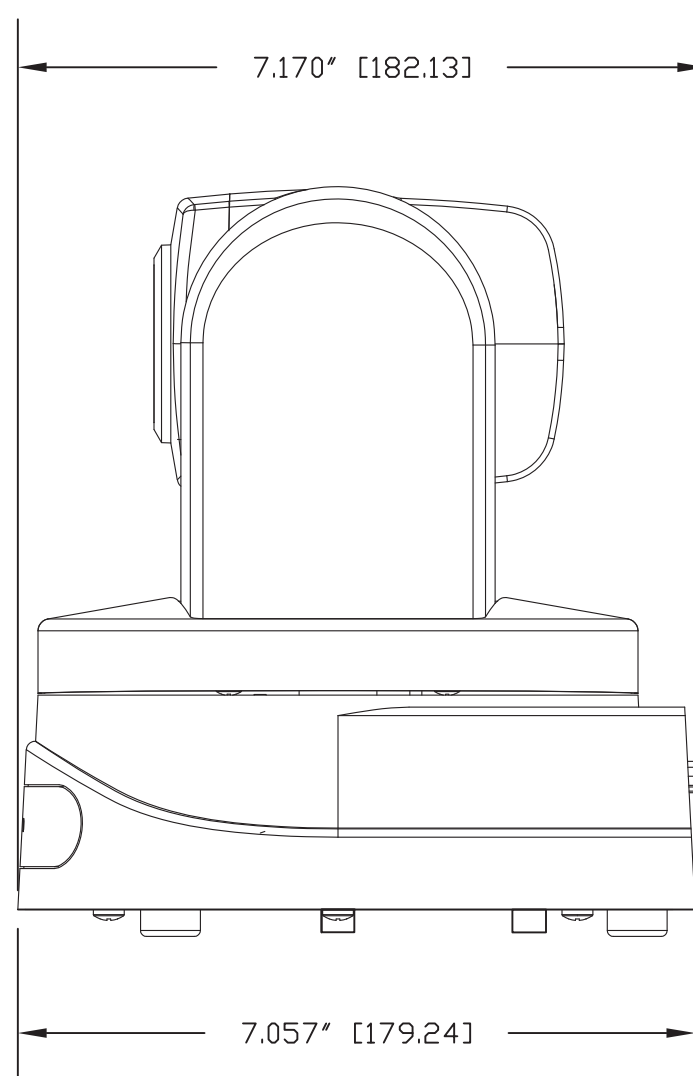


6.000" [152.40]

7.810" [198.37]

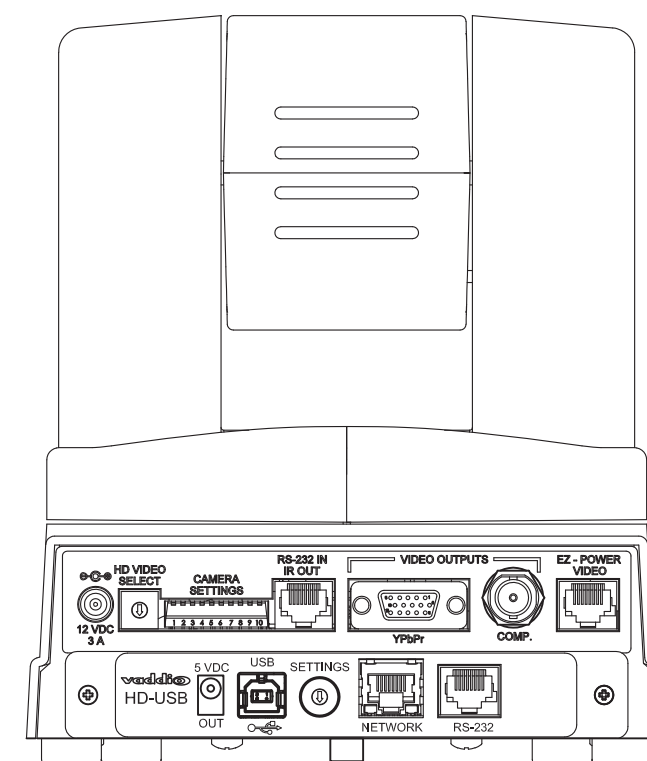
6.670" [169.42]

SIDE VIEW



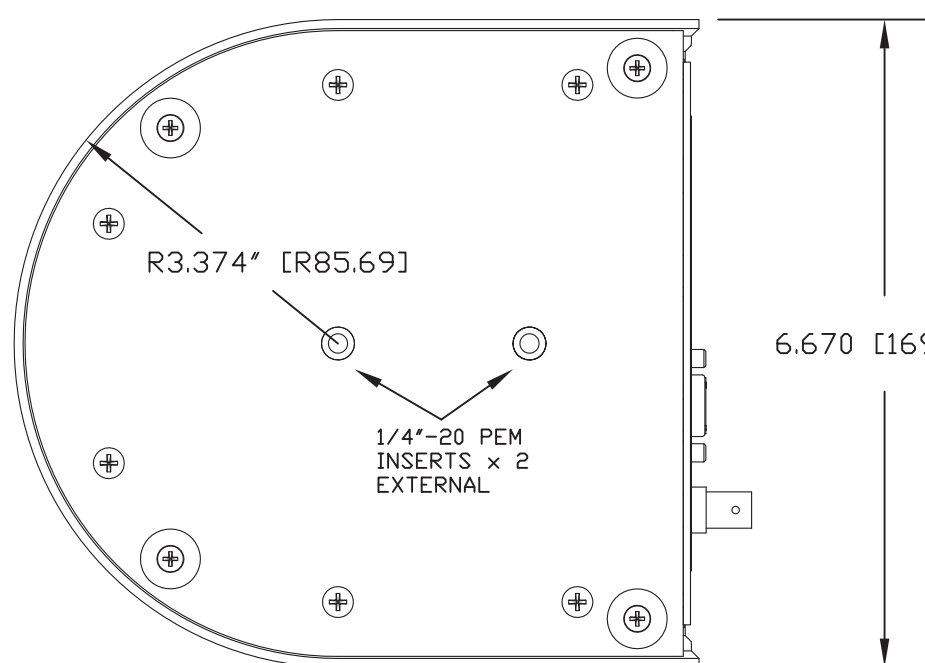
7.170" [182.13]

7.057" [179.24]



REAR VIEW w/PERMANENT USB SLOT CARD

BOTTOM VIEW



R3.374" [R85.69]

1/4"-20 PEM
INSERTS x 2
EXTERNAL

6.670 [169.42]

Touchboards

205 Westwood Ave, Long Branch, NJ 07740
 Phone: 866-94 BOARDS (26273) / (732)-222-1511
 Fax: (732)-222-7088 | E-mail: sales@touchboards.com

vaddio		GENERAL NOTES: DIMENSIONS ARE IN INCHES (mm) UNLESS OTHERWISE NOTED. DO NOT DISTRIBUTE WITHOUT EXPRESS WRITTEN PERMISSION OF VADDIO. DUE TO OUR CONTINUING EFFORTS TO ENHANCE OUR PRODUCTS, WE RESERVE THE RIGHT TO CHANGE SPECIFICATIONS WITHOUT PRIOR NOTICE OR OBLIGATION.	
VADDIO ClearVIEW HD-USB PTZ CAMERA			
VADDIO PART NUMBER 999-6990-000 / 999-6990-001			
DRAWN RAR	CHECKED	APPROVED RAR	DATE 06/08/2012
THIS DRAWING, INCLUDING ALL SUBJECT MATTERS INDICATED THEREON OR DERIVED THEREFROM, COMPRISES PROPRIETARY INFORMATION AND IS THE EXPRESS PROPERTY OF VADDIO. All Rights Reserved - Copyright 2012			
MATERIALS VARIOUS - SEE BOM	SCALE 1:2	DRAWING No. 6990	REV REV B
FINISH GREY ABS PC - Medium Lt. Texture	SIZE C		