

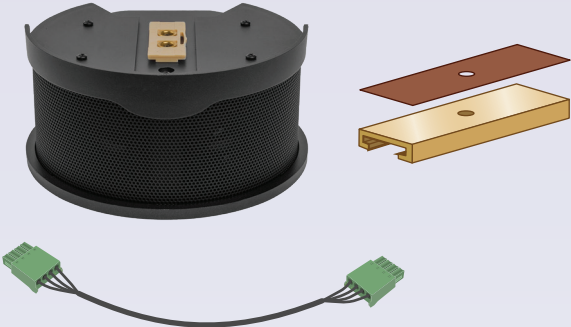
# ConferenceSHOT AV Speaker

999-9995-003 ConferenceSHOT AV Speaker (black), worldwide  
999-9995-003W ConferenceSHOT AV Speaker (white), worldwide

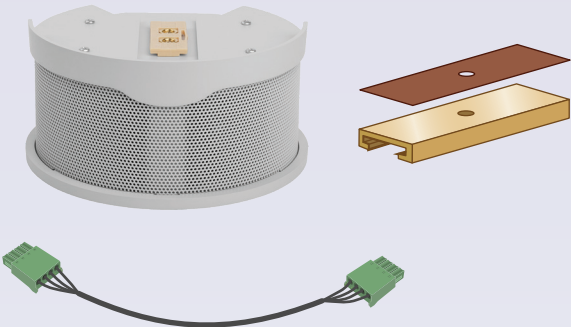


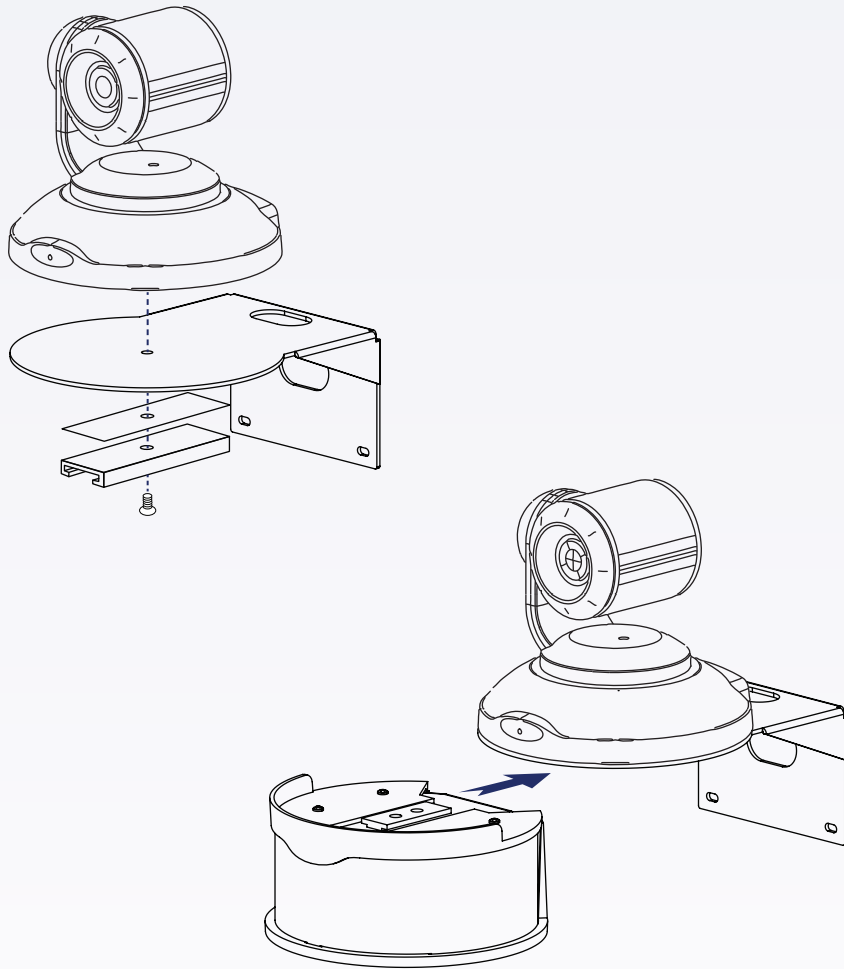
## What's in the box

999-9995-003



999-9995-003W





Document 411-0001-02 Rev A  
August 2020

Vaddio is a brand of Legrand AV · [www.legrandav.com](http://www.legrandav.com) · Phone 800.572.2011 / +1.763.971.4400 · Fax +1.763.971.4464 · Email [av.vaddio.support@legrand.com](mailto:av.vaddio.support@legrand.com)  
Visit us at [www.legrandav.com](http://www.legrandav.com) for firmware updates, specifications, drawings, manuals, technical support information, and more.  
© 2020 Legrand AV Inc.

Vaddio is a registered trademark of Legrand AV Inc. All other brand names or marks are used for identification purposes and are trademarks of their respective owners. All patents are protected under existing designations. Other patents pending.

AV Brands Chief | Da-Lite | Middle Atlantic | Projecta | Sanus | Vaddio  
A brand of **legrand**

**vaddio**