

## Vaisala HMD60U/Y humidity transmitter

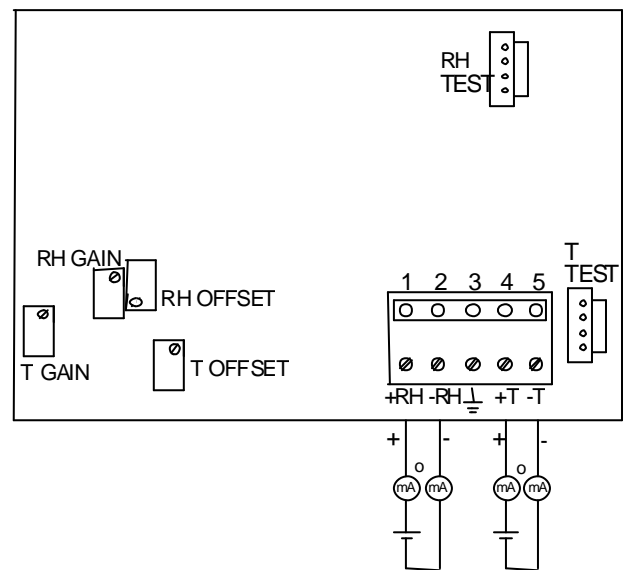
<b>Output quantities:</b>	Relative humidity (%), temperature ( °C/°F ) in model HMD60Y
<b>Supply voltage:</b>	10...35 VDC ( $R_L = 0 \Omega$ ), 20...35 VDC ( $R_L = 500 \Omega$ )
<b>Output signals:</b>	4...20 mA ( corresponding 0...100% RH, -20...+80°C )
<b>Screw terminals:</b>	0.5...1.5 mm <sup>2</sup>

### Wiring

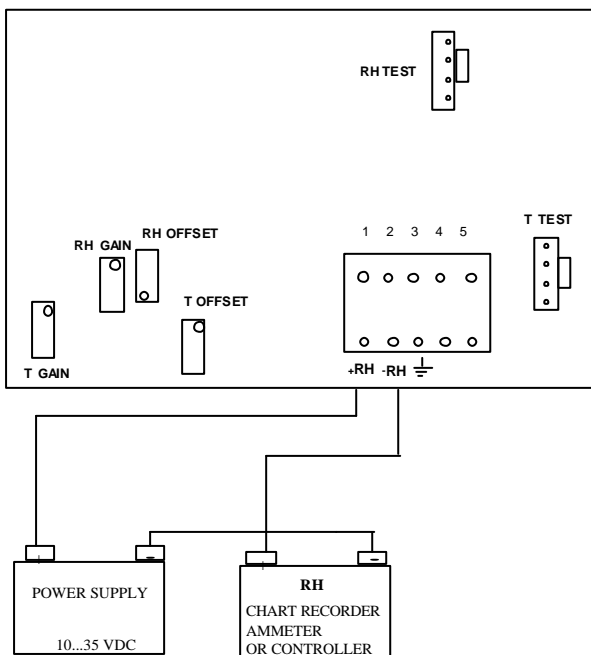
Signal cables are connected to a removable 5-pole screw connector. The figure on the right shows the electrical connections.

The same connections are shown below in an alternative way.

RH test and T test connectors are used with the HMI41 indicator equipped with an appropriate probe and optional calibration cable.



### HMD60U



### HMD60Y

