

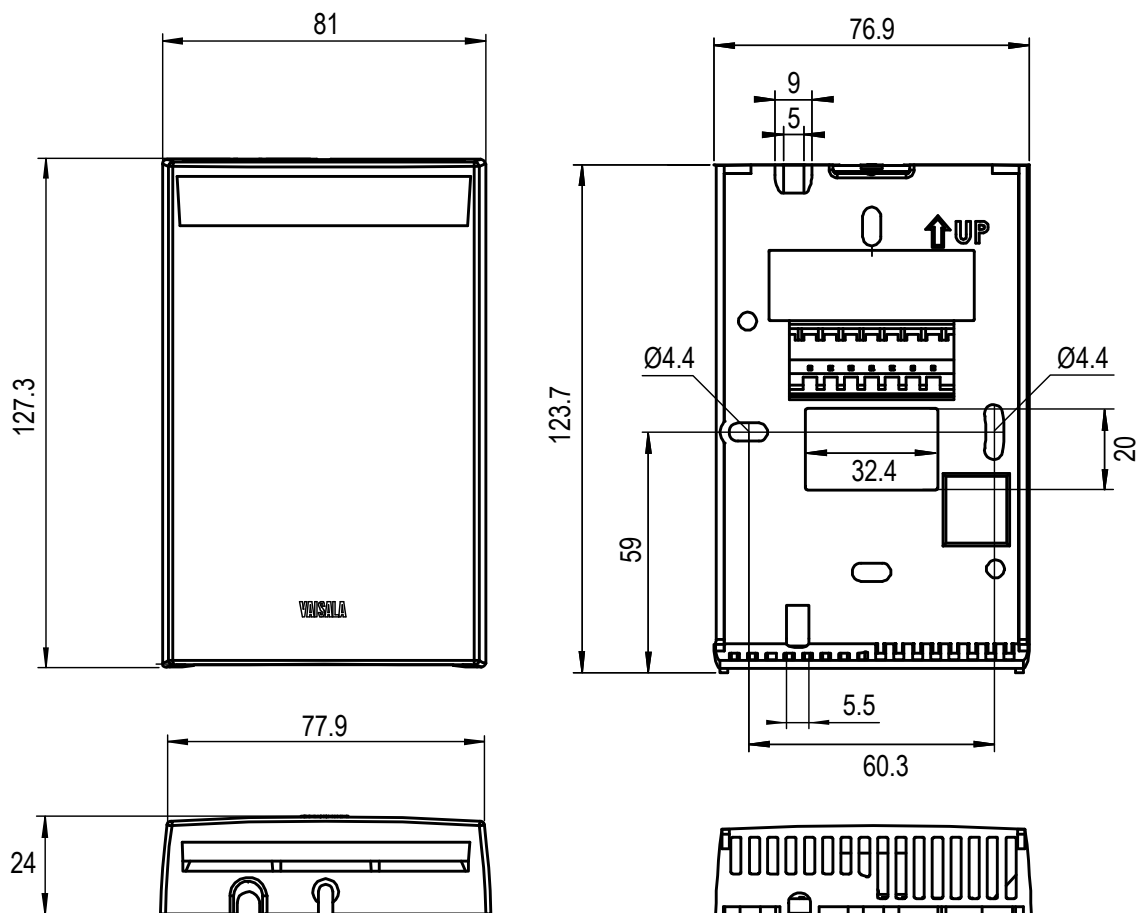
### INSTALLATION

1. Find a suitable mounting location for the transmitter. The conditions at the location should represent well the area of interest.

**NOTE** Do not install the transmitter on the ceiling. Avoid placing the transmitter near heat sources, ventilation, and direct sunlight.

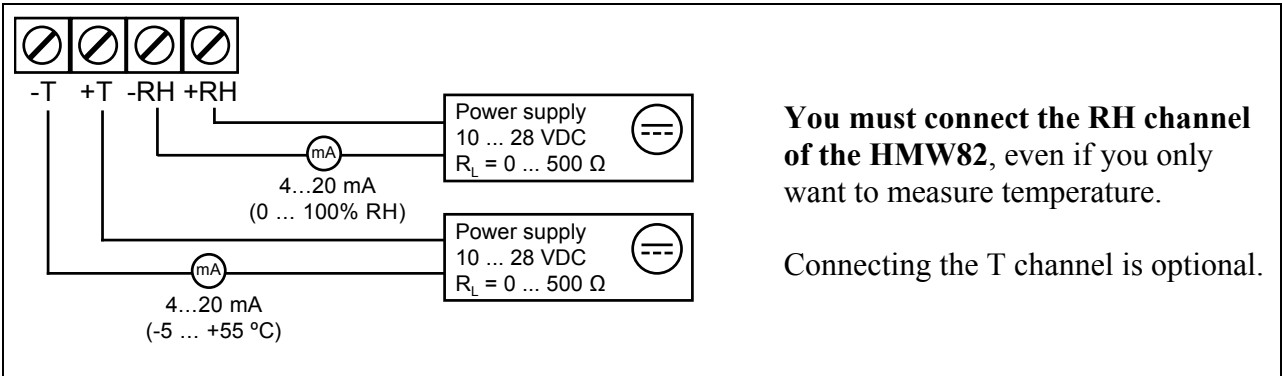
2. Use the mounting holes to attach the mounting base securely. Use at least two screws (not included). The arrow on the mounting base must point straight up after installation. Proper orientation is important, so that air will flow through the vents on the bottom and top.
3. Connect the wiring to the screw terminals on the mounting base. The supply voltage and terminal assignments are model-specific; see section Wiring on the next page.
4. After completing the wiring, connect the cover over the mounting base.

### Dimensions (in mm)

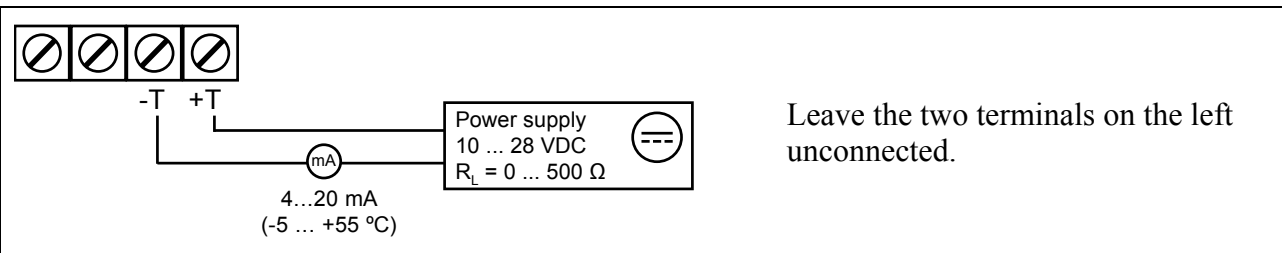


# WIRING

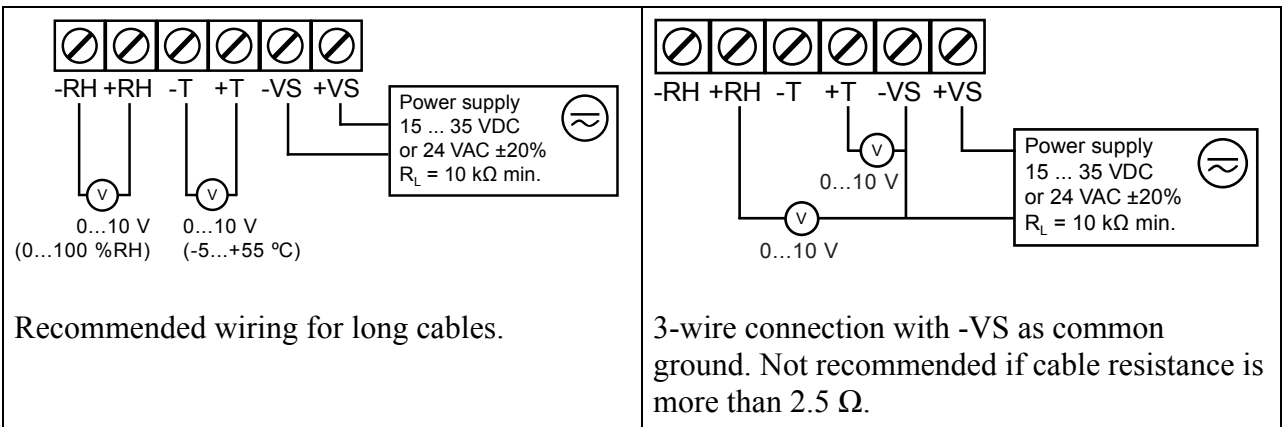
## HMW82



## TMW82



## HMW83



## TMW83

