



Valor[®] 3000 Xtreme

Compact Precision Scales



(by model)



**SUPPORTS HACCP
COMPLIANCE**

Rugged, full stainless steel design in a high performance, easy-to-use, portable scale.

The Valor 3000 Xtreme Compact Precision Scale continues the OHAUS tradition of building high quality, durable products that are easy to use and hard to beat. The Valor 3000 Xtreme takes these OHAUS virtues to a new level by offering high precision 40,000d readability, durability, and ease-of-use, encased in a sleek and fully stainless steel compact housing. Washdown versions ensure that the Valor 3000 Xtreme meets the needs of even the most demanding environments.

Standard Features Include:

- **Extreme Design** — Full stainless steel housing with added chemical resistance and removable stainless steel weighing pan are durable and easy to clean (NEMA 4X/IP65 water resistant models available).
- **Extreme Protection** — Technically advanced overload protection rated at 10x capacity is ideal for tough environments where capacity is frequently exceeded
- **Extreme Performance** — The Valor 3000 Xtreme offers resolutions up to 40,000d and 0.01g, providing precise measurements in demanding environments. User adjustable filtering and stability settings allow the Valor 3000 Xtreme to operate accurately in drafty and unstable conditions
- **Extremely Friendly** — OHAUS' SmarText™ user interface utilizes a bright backlit LCD and simple text prompts to guide users through application use and scale setup, making the Valor 3000 Xtreme very easy to use

Valor[®] 3000 Xtreme Compact Precision Scales

Extreme Design

Extreme design means OHAUS took a clean sheet design and focused on offering the most durable and portable portioning product available. The Valor 3000 Xtreme is the highest precision scale in its class with complete stainless steel construction – both top and bottom housings are made of T304 stainless steel.

For use in wet applications, the Valor 3000 Xtreme offers an even higher level of protection by offering full NEMA 4X/IP65 water resistant models. All Valor 3000 Xtreme models are USDA-AMS accepted, NSF listed/certified, and will support a HACCP certified system. Valor 3000 Xtreme is battery powered for maximum portability and convenience. Valor 3000 Xtreme features QuadraStance™, with four wide adjustable feet to ensure that the scale stays ultra-secure and slip free during operation in wet or dry conditions, on any surface.



Extreme Overload and Shock Protection

All OHAUS products are designed to be the most rugged and durable products on the market, and the Valor 3000 Xtreme is no exception. Leveraging the advanced overload and shock resistance technology found in the Scout[®] Pro, OHAUS designed the Valor 3000 Xtreme's overload protection system to provide ten times capacity overload protection. This extreme overload protection makes each Valor 3000 Xtreme ideal for tough environments where scale capacity is exceeded regularly.

Extreme Performance

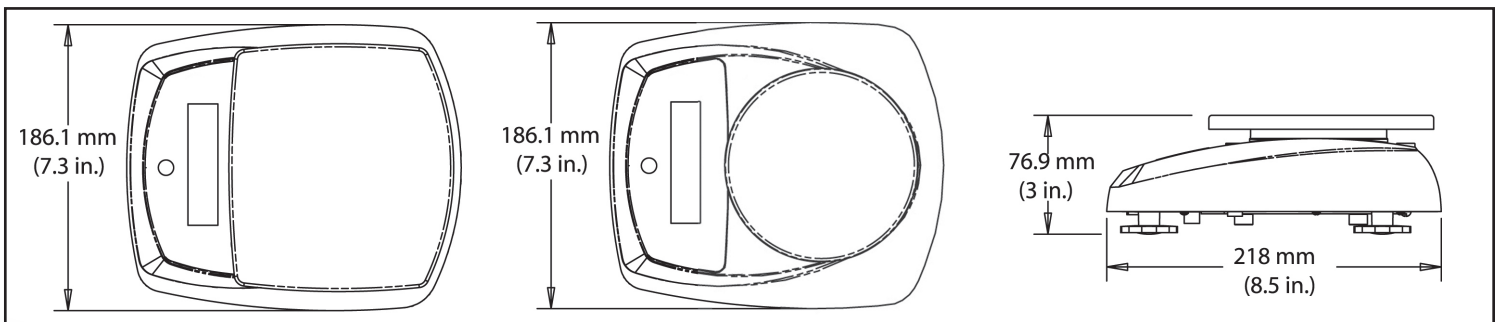
The Valor 3000 Xtreme has a rugged design, combined with high precision weighing cells offering resolutions up to 40,000d. Every scale has user adjustable stability, filtering and auto zero settings allowing Valor 3000 Xtreme to operate in drafty and unstable environments.

Extremely Friendly

Every Valor 3000 Xtreme is designed with OHAUS' SmarText™ interface that utilizes a bright backlit LCD and simple English text prompts to guide users through application use and scale setup.



Outline Dimensions



Application Modes

The Valor 3000 Xtreme series is loaded with software specifically designed for simple use and maximum throughput. Application modes include:

Percentage Weighing — This mode is great for compounding, mixing ingredients and formulation allowing users to compare the weight of a sample as the percentage of a reference weight. This function allows for quick portioning and checking of multiple samples against a target, and for quickly preparing multiple samples of the same size. The Valor 3000 Xtreme can automatically compute Baker's Percentages, eliminating guesswork and speeding use.



Specific Gravity Determination — This mode is perfect for rapidly and easily determining the specific gravity of a sample without the need for manual calculations. Not only can this be critical in materials testing, it is also useful for checking aeration of mixes for food processing and foodservice applications.



Other Standard Features

AC Power Standard

The included AC adapter provides continuous power, and the convenient stow-away plug keeps moisture out when not in use



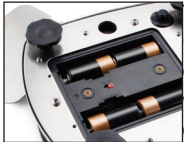
Stainless Steel Housing and Weighing Pan

Easy to wipe clean and keep sanitary. The Valot 3000 Xtreme is NSF listed/certified, and USDA-AMS accepted, and supports HACCP compliance



Long Battery Life

Valor 3000 Xtreme will run up to 120 hours (depending on model) with four C-type batteries

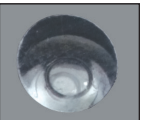


Bright Backlit Display

Weighing results are clearly shown on the bright backlit display with large easy-to-read digits

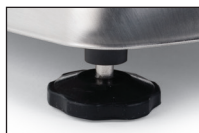
Up Front Level Bubble

A glance at the level bubble ensures easy leveling and superior stability



Adjustable Feet with Level Bubble

OHAUS QuadraStance™ offers four rugged and slip-resistant adjustable feet to help prevent slippage on wet or uneven surfaces



NEMA 4X/IP65 Housing

Valor 3000 Xtreme W models are perfect for use in wet and damp environments



SmarText™ Software

OHAUS' easy-to-use interface guides you through setup and applications such as Percentage Weighing and Specific Gravity modes with a simple push of the button



Valor® 3000 Xtreme Compact Scales

Models	V31XH202	V31XH402	V31X501	V31XH2	V31XH4	V31X3	V31X6	V31XW301	V31XW3* V31X3N*	V31XW6* V31X6N*
Capacity x Readability	0.4409 x 0.00005 lb 7.055 x 0.0005 oz 7 x 1/8 oz N/A N/A 0.2 x 0.00001 kg 200 x 0.01 g 6.763 x 0.0005 fl oz	0.88185 x 0.00005 lb 14.1095 x 0.0005 oz 14 1/8 x 1/8 oz N/A N/A 0.4 x 0.00001 kg 400 x 0.01 g 13.5255 x 0.0005 fl oz	1.1025 x 0.0005 lb 17.635 x 0.005 oz 17 5/8 x 1/8 oz 11lb:1.64 oz x 0.01 oz 1lb:1 5/8 oz x 1/8 oz 0.5 x 0.0001 kg 500 x 0.1 g 16.905 x 0.005 fl oz	4.409 x 0.0005 lb 70.55 x 0.005 oz 70 1/2 x 1/8 oz 4 lb: 6.55 oz x 0.01 oz 4 lb: 6 1/2 oz x 1/8 oz 2 x 0.0001 kg 2000 x 0.1 g 67.63 x 0.005 fl oz	8.8185 x 0.0005 lb 141.095 x 0.005 oz 141 1/8 x 1/8 oz 8lb:13.1 oz x 0.01 oz 8lb:13 1/8 x 1/8 oz 4 x 0.0001 kg 4000x 0.1 g 135.255 x 0.005 fl oz	6.615 x 0.005 lb 105.8 x 0.05 oz 105 1/2 x 1/8 oz 6 lb: 9.8 oz x 0.05 oz 6 lb: 9 1/2 oz x 1/8 oz 3 x 0.0001 kg 3000 x 1 g 101.44 x 0.05 fl oz	13.225 x 0.005 lb 211.65 x 0.05 oz 211 1/2 x 1/8 oz 13 lb: 3.6 oz x 0.05 oz 13 lb: 3 1/2 oz x 1/8 oz 6 x 0.001 kg 6000 x 1 g 202.9 x 0.05 fl oz	0.6615 x 0.0005 lb 10.585 x 0.005 oz 10 1/2 x 1/8 oz N/A N/A 0.3 x 0.0001 kg 300 x 0.1 g 10.14 x 0.005 fl oz	6.615 x 0.002 lb 105.80 x 0.02 oz 105 1/2 x 1/8 oz 6 lb : 9.80 oz x 0.02 oz 6 lb : 9 1/2 oz x 1/8 oz 3 x 0.0005 kg 3000x 0.5 g 101.44 x 0.02 fl oz	13.225 x 0.005 lb 211.6 x 0.05 oz 211 1/2 x 1/8 oz 13 lb: 3.6 oz x 0.05 oz 13 lb: 3 1/2 oz x 1/8 oz 6 x 0.001 kg 6000 x 1 g 202.9 x 0.05 fl oz
Capacity x Readability (*NTEP certified)	N/A	N/A	N/A	N/A	N/A	N/A	N/A	N/A	6.6 x 0.005 lb 105.8 x 0.05 oz 3 x 0.001 kg 3000 x 1 g	13.225 x 0.005 lb 211.6 x 0.1 oz 6 x 0.002 kg 6000 x 2 g
Weighing Units	lb, decimal or fractional oz, lb:oz, fluid oz (of water), kg, g									
Modes	Simple weighing, percent weighing, combined zero/tare, specific gravity (S)									
Keyboard	Three mechanical switches (1 left; 2 right)									
Calibration	Digital external span calibration									
Display	7 segment, 6 digit, 0.78in / 20mm high LCD with white LED backlight									
Display Indicators	Center of zero, stability, over/under load, weighing unit and battery status									
Tare Range	Full capacity by subtraction									
Stabilization Time	3 seconds or less									
Auto-Zero Tracking	Off, 0.5, 1 or 3 divisions									
Operating Temp. / humidity	32°F to 104°F (0°C to 40°C) at 10% to 95% relative humidity Non-condensing, up to 2.5 miles / 4000m above sea level									
Power	9 – 12 VDC 0.5A AC wall adapter 100-120V AC, 50.60 Hz (included) or four 1.5 volt "C" batteries (not included)									
Battery Life	50 hours	120 hours	50 hours	120 hours	50 hours	120 hours	50 hours	120 hours	50 hours	50 hours
Dimensions L x W x H	8.5 x 7.3 x 3 in / 218 x 186 x 77 mm									
Pan size L x W	4.7 in / 120 mm dia.			5.8 x 6.2 in / 146 x 158 mm			5.8 x 6.2 in / 146 x 158 mm			
Carton Dimensions L x W x H	12.79 x 9.92 x 5.51 in / 325 x 252 x 140 mm									
Net Weight	2.6 lb / 1.2 kg			2.9 lb / 1.3 kg			3.1 lb / 1.4 kg			
Shipping Weight	4.3 lb / 2 kg			4.6 lb / 2.1 kg			4.8 lb / 2.2 kg			
Ingress Protection (battery power only)	---	---	---	---	---	---	---	---	NEMA 4X/IP65**	

** Note: Models V31X3N and V31X6N are not rated NEMA 4X/IP65.

Standard Features

Removable stainless steel pan, digital external calibration software, selectable environmental settings, fast stabilization with selectable Auto-tare, integrated level bubble and adjustable feet, bright backlit display, selectable Auto-Off, selectable weighing unit, selectable power-up unit, AC power adapter included.

Accessories

Oversize sandwich platter†, french fry platter†, ice cream platter†, carrying case. Contact your local OHAUS representative for availability.

†Note: Platters not applicable to models below 2000g capacity (V31XH202, V31XH402, V31X501)

Approvals

- Food Service: NSF Listed/Certified to NSF/ANSI 169-2005 Special Purpose Food Equipment and Devices (formerly NSF C-2); USDA/AMS Accepted to NSF/3-A 14159-1 Hygiene Requirements for the Design of Meat and Poultry Processing Equipment; meets requirements for HACCP conformity.

- Electrical/Emissions: CE listed, meets AS/NZS4251.1 Emission/AS/NZS4252.1 Immunity, FCC Class B Part 15 operation, Industry Canada Class A. cULUS AC power pack.

Compliant to Directive 2002/96/EC on waste electrical and electronic equipment (WEEE)

- Legal-for-Trade: *NTEP CoC No. 08-008

- Quality: OHAUS quality management system registered to ISO 9001:2008

OHAUS CORPORATION

* 7 Campus Drive
Suite 310
Parsippany, NJ 07054 USA
Tel: 800.672.7722
973.377.9000
Fax: 973.944.7177

www.ohaus.com

With offices throughout
Europe, Asia, and
Latin America

*ISO 9001:2008

Registered Quality
Management System

