

esi.®



Victory™ LX 3-leg

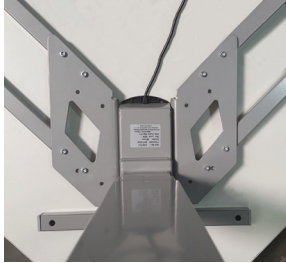
Electric height adjustable table base



VictoryLX 3-leg

Electric height adjustable table

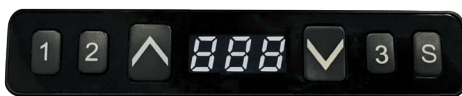
esi®



universal
corner bracket



drawers easily slide over feet



digital keypad



locking casters

Caster Kit

- Set of four casters for table base
- Increases height by 2.0"
- Locking casters for security

MODEL # CASTERKIT-LX-3LEG-SLV

MODEL # CASTERKIT-LX-3LEG-BLK

MODEL # CASTERKIT-LX-3LEG-WHT

Product specs

- Electric height adjustment
- 360 lb. base lifting capacity
- 1.4"/sec adjustment speed
- 26.0" height adjustment range
 - 21.5"–47.5" (low/high) (*excluding worksurface*)
- Three stage adjustable legs
- C-leg
- Adjustable width frame accommodates worksurfaces 48.0"–84.0"
- Three motors
- Soft start and stop
- Anti-collision safety feature
- Locking casters available
- Low standby power consumption
- ADA compliant
- 8'9" power cord
- Table base is UL962 listed
- Meets or exceeds BIFMA x5.5, GI and CSA CAN/CGSB44.227
- Works with peds or storage with 20.0" max. height
- Steel frame and foot construction
- Digital keypad with three memory settings
- Keypad can slide under worksurface to store out of the way
- Complete tables available (*base and top*)
- Warranty: 15 yr. (*structural*)/7 yr. (*mechanical*)

Available base finishes

- Silver -SLV
- Black -BLK
- White -WHT

VictoryLX 3-leg

Electric height adjustable table



Table bases		Available worksurfaces				
Table base model	Worksurface shape	Worksurface dimension	TFL standard		HPL standard	HPL premium
			Quick ship	Standard ship	Standard ship	Standard ship
3VT-LX-C4848-24-___		60"wl x 60"wr x 24"d	-	3EC606024-TFL-__	3EC606024-HPL-__	3EC606024-PHPL-__
		72"wl x 72"wr x 24"d	-	3EC727224-TFL-__*	3EC727224-HPL-__*	3EC727224-PHPL-__*
3VT-LX-C4848-30-___	Equal Corner	60"wl x 60"wr x 30"d	-	3EC606024-TFL-__*	3EC606030-HPL-__*	3EC606030-PHPL-__*
		72"wl x 72"wr x 30"d	-	3EC727230-TFL-__	3EC727230-HPL-__	3EC727230-PHPL-__
3VT-LX-C3636-24-___		48"w x 24"d	-	120-4824-TFL-__	120-4824-HPL-__	120-4824-PHPL-__
3VT-LX-C4848-24-___		60"w x 24"d	-	-	120-6024-HPL-__	120-6024-PHPL-__
		72"w x 24"d	-	-	120-7224-HPL-__	120-7224-PHPL-__
3VT-LX-C3636-30-___	120°	48"w x 30"d	-	-	120-4830-HPL-__	120-4830-PHPL-__
		60"w x 30"d	-	-	120-6030-HPL-__	120-6030-PHPL-__
3VT-LX-C4848-30-___		72"w x 30"d	-	-	120-7230-HPL-__*	120-7230-PHPL-__*
3VT-LX-C3636-2430-___		30.0"/24.0"	Please contact our Customer Service Department to specify the dimensions and laminates for this style of worksurface			
3VT-LX-C4848-2430-___		24.0"/30.0"	*Equal Corner worksurfaces measuring 72x72x24 and 72x72x30 will ship in 2 pieces. 120-degree worksurfaces measuring 72x24 and 72x24 will ship in 3 pieces and include joining brackets.			
3VT-LX-C4836-2430-___		Reversible configurations				

Worksurface Program

Multiple worksurface shapes and laminates are available. See the Complete Table & Worksurface Ordering Guide for worksurface details including pricing and laminate colors. TFL quick ship worksurfaces are shipped out in 48 hours, TFL standard and HPL standard/premium worksurfaces ship within three weeks. Lead time may vary depending on quantities ordered and their availability

Table bases and worksurfaces can be purchased independently or as a combination.

ESI worksurfaces are made to exact dimensions. If nominal sizing is needed, please specify when ordering.

VictoryLX 3-leg

Electric height adjustable table



Table bases		Available worksurfaces					
Table base model	Worksurface shape	Worksurface dimension	TFL standard		HPL standard		HPL premium
			Quick ship	Standard ship	Standard ship	Standard ship	
3VT-LX-C4836-24-___		60"wr x 48"wl x 24"d	-	3OCL604824-TFL-__	3OCL604824-HPL-__	3OCL604824-PHPL-__	
		72"wl x 48"wr x 24"d	-	3OCL724824-TFL-__	3OCL724824-HPL-__	3OCL724824-PHPL-__	
		72"wl x 60"wr x 24"d	-	3OCL726024-TFL-__	3OCL726024-HPL-__	3OCL726024-PHPL-__	
3VT-LX-C4848-24-___		84"wl x 48"wr x 24"d	-	3OCL844824-TFL-__	3OCL844824-HPL-__	3OCL844824-PHPL-__	
		84"wl x 60"wr x 24"d	-	-	3OCL846024-HPL-__	3OCL846024-PHPL-__	
3VT-LX-C4836-30-___	Offset Corner Leftt	60"wl x 48"wr x 30"d	-	3OCL604830-TFL-__	3OCL604830-HPL-__	3OCL604830-PHPL-__	
		72"wl x 48"wr x 30"d	-	3OCL724830-TFL-__	3OCL724830-HPL-__	3OCL724830-PHPL-__	
		72"wl x 60"wr x 30"d	-	3OCL726030-TFL-__	3OCL726030-HPL-__	3OCL726030-PHPL-__	
3VT-LX-C4848-30-___	Offset Corner Leftt	84"wl x 48"wr x 30"d	-	-	3OCL844830-HPL-__	3OCL844830-PHPL-__	
		84"wl x 60"wr x 30"d	-	-	3OCL846030-HPL-__	3OCL846030-PHPL-__	
3VT-LX-C4836-24-___		48"wl x 60"wr x 24"d	-	3OCR486024-TFL-__	3OCR486024-HPL-__	3OCR486024-PHPL-__	
		48"wl x 72"wr x 24"d	-	3OCR487224-TFL-__	3OCR487224-HPL-__	3OCR487224-PHPL-__	
		60"wl x 72"wr x 24"d	-	3OCR607224-TFL-__	3OCR607224-HPL-__	3OCR607224-PHPL-__	
3VT-LX-C4848-24-___		48"wl x 84"wr x 24"d	-	3OCR488424-TFL-__	3OCR488424-HPL-__	3OCR488424-PHPL-__	
		60"wl x 84"wr x 24"d	-	-	3OCR608424-HPL-__	3OCR608424-PHPL-__	
3VT-LX-C4836-30-___	Offset Corner Right	48"wl x 60"wr x 30"d	-	3OCR486030-TFL-__	3OCR486030-HPL-__	3OCR486030-PHPL-__	
		48"wl x 72"wr x 30"d	-	3OCR487230-TFL-__	3OCR487230-HPL-__	3OCR487230-PHPL-__	
		48"wl x 84"wr x 30"d	-	3OCR607230-TFL-__	3OCR607230-HPL-__	3OCR607230-PHPL-__	
3VT-LX-C4848-30-___	Offset Corner Right	60"wl x 72"wr x 30"d	-	-	3OCR488430-HPL-__	3OCR488430-PHPL-__	
		60"wl x 84"wr x 30"d	-	-	3OCR608430-HPL-__	3OCR608430-PHPL-__	

Worksurface Program

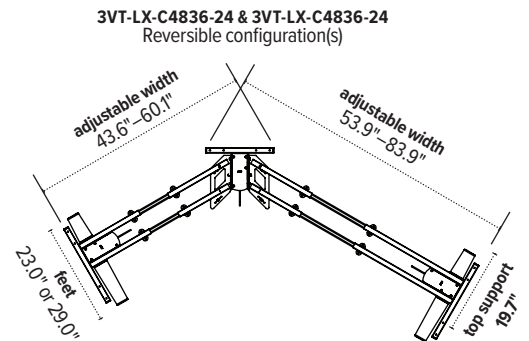
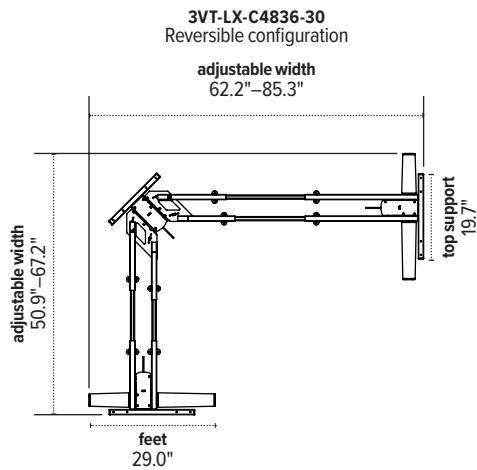
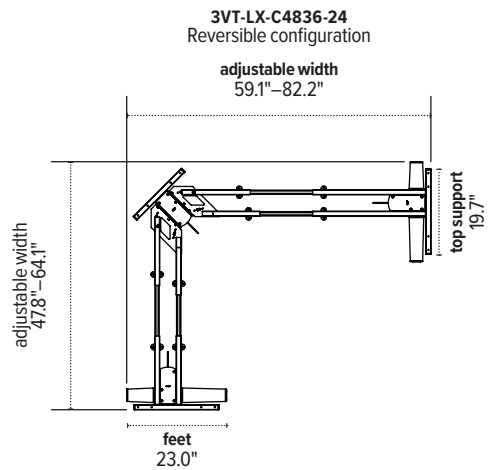
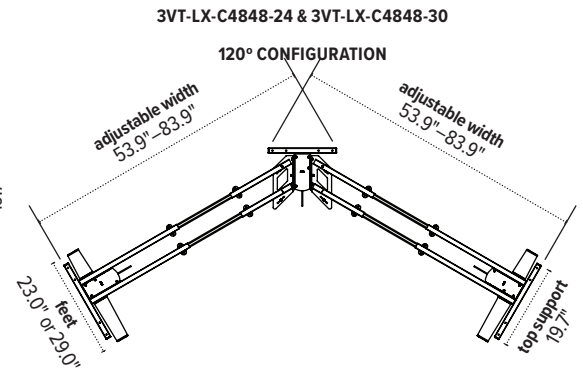
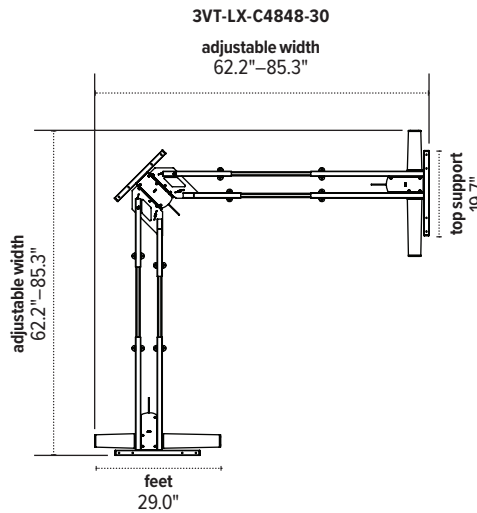
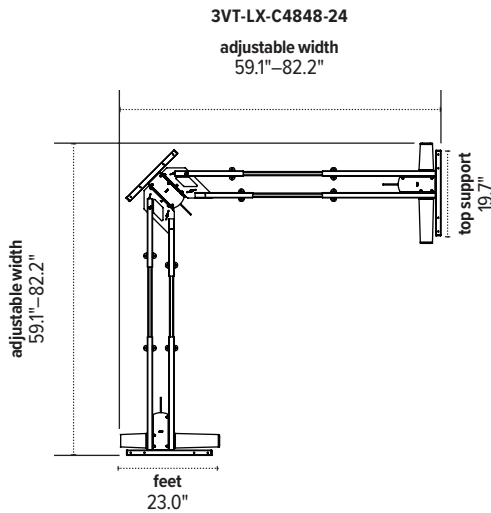
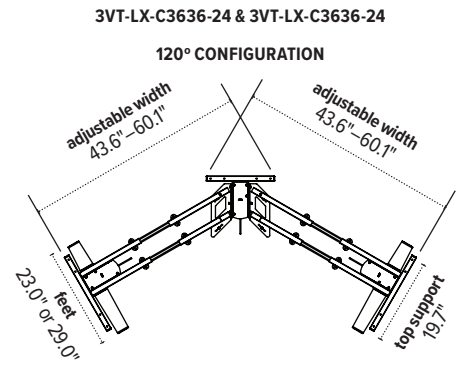
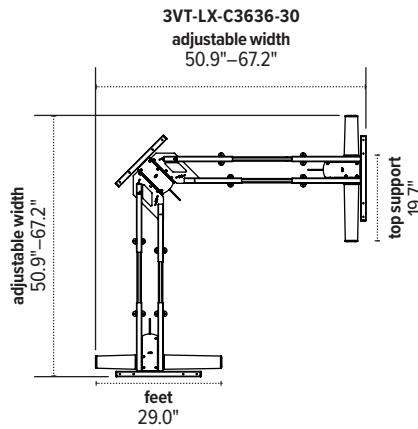
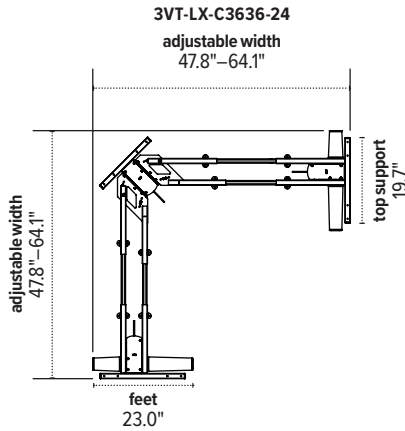
Multiple worksurface shapes and laminates are available. See the Complete Table & Worksurface Ordering Guide for worksurface details including pricing and laminate colors. TFL quick ship worksurfaces are shipped out in 48 hours, TFL standard and HPL standard/premium worksurfaces ship within three weeks. Lead time may vary depending on quantities ordered and their availability

Table bases and worksurfaces can be purchased independently or as a combination.

ESI worksurfaces are made to exact dimensions. If nominal sizing is needed, please specify when ordering.

VictoryLX 3-leg

Electric height adjustable table



The base dimensions as shown are actual.