

Installation manual
Instruction d'installation

Part nr. 902811-02

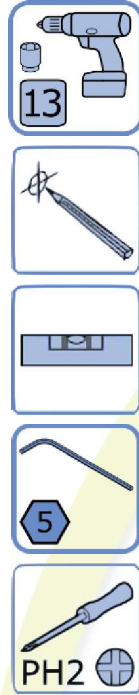
BalanceBox®650

Height adjustment for large touchscreens

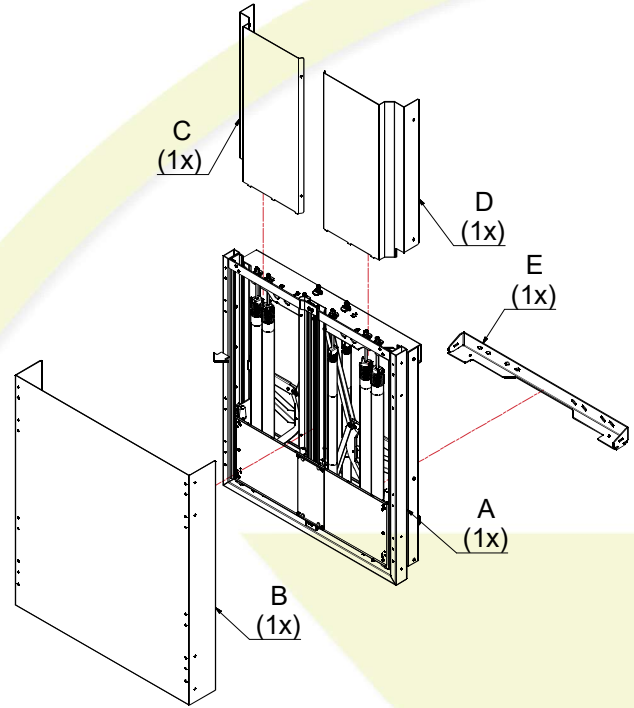
Safety Instructions
Instruction de sécurité



Tools needed
Outils nécessaires

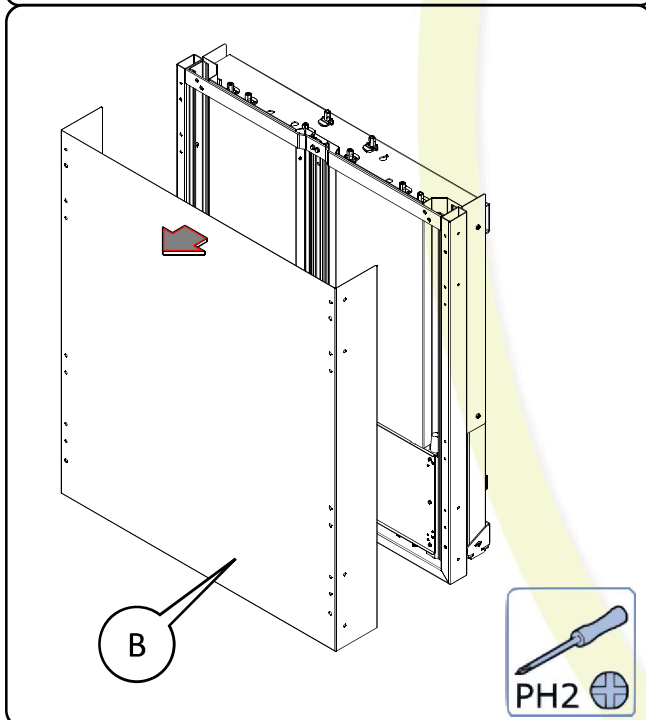


The contents of the box
Le contenu de la boîte



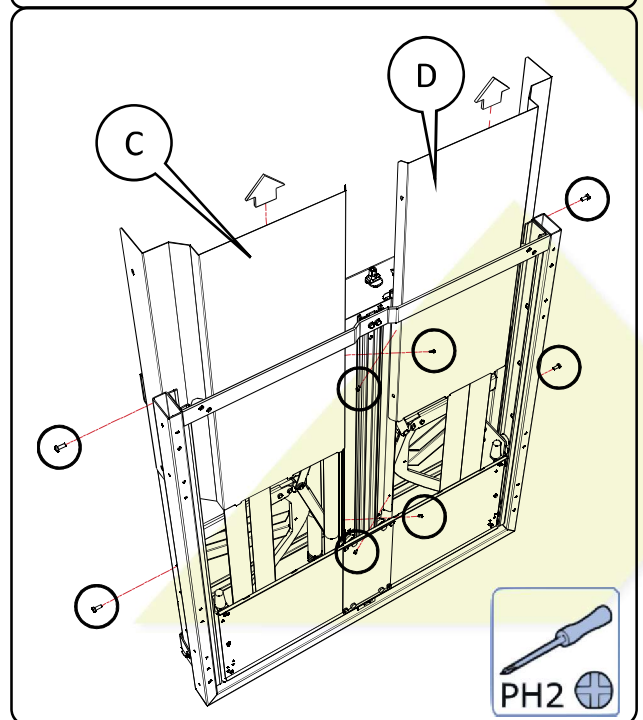
1

Remove application cover B



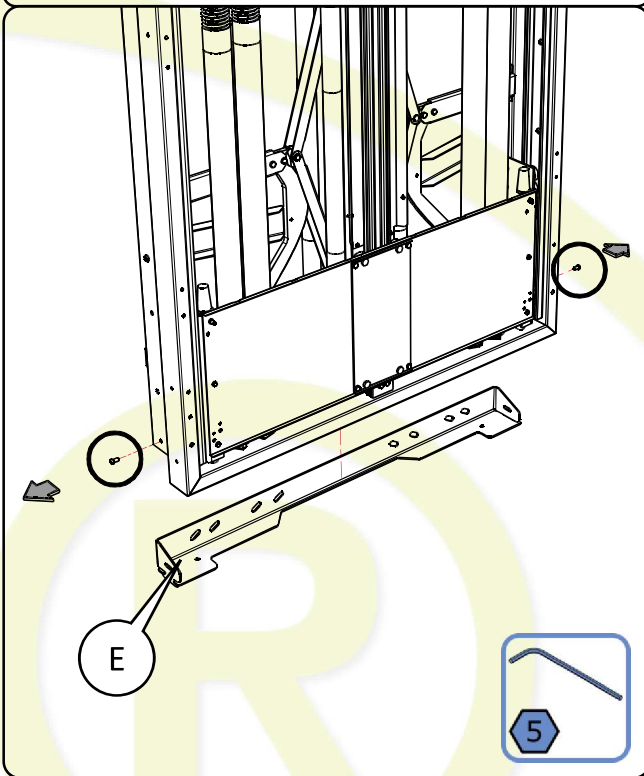
2

Remove wall-frame covers C and D



3

Remove wall bracket E, use 5 mm Allen key

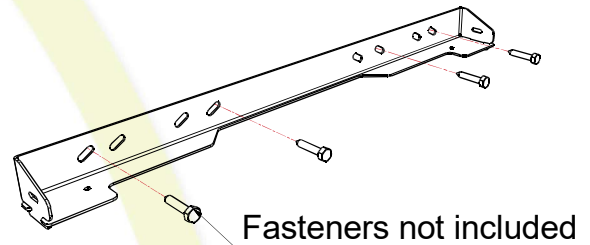
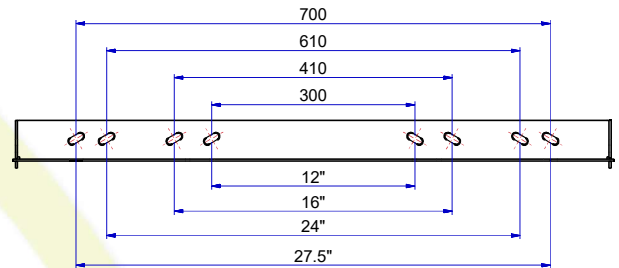


4

Mount bottom wall bracket level to wall.
Use min. 4 x 8 mm. (5/16") screws (not included)

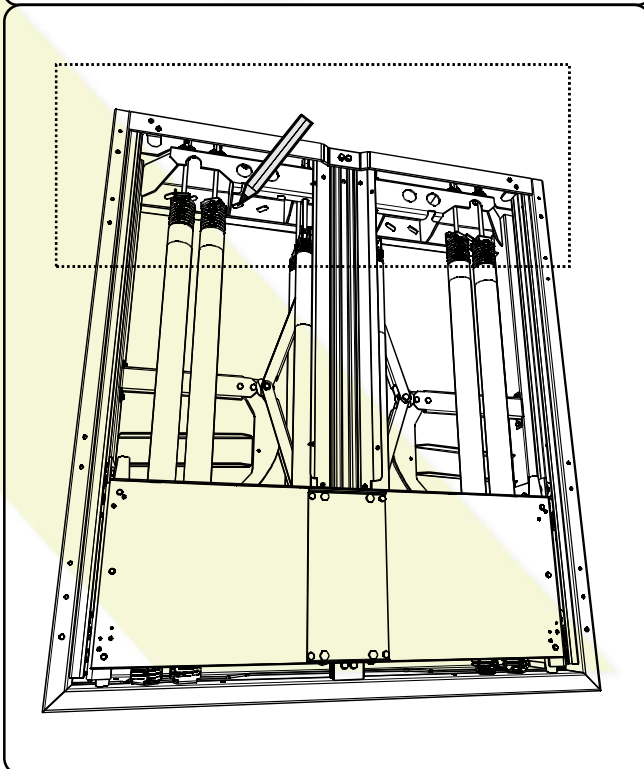
Mounting height calculator on:

www.balancebox.eu →



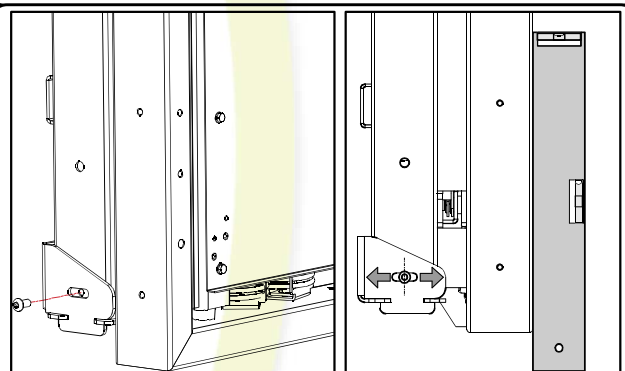
5

Lift BalanceBox®650 onto the wall bracket,
mark the top holes. Take the BalanceBox®650
down and drill holes

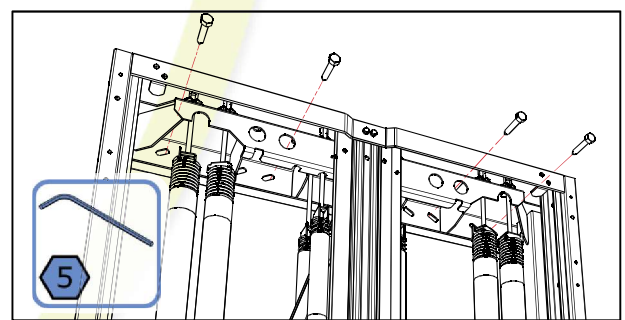


6

Fix at bottom and level, then tighten.
Use 5 mm Allen key



Mount BalanceBox at the top.
Use min. 4 x 8mm. (5/16") screws (not included)



7 Mount the wall frame covers

PH2

8 Mount application cover

PH2

9 Mount the screen or touchpanel, use BalanceBox®400® accessories

VESA Bracket not included

10 Set the balance, use a drill-driver with a 13 mm socket on outer springs marked green. Drive counter-clockwise 5 sec. each, repeat until balanced

13

Do not adjust!