

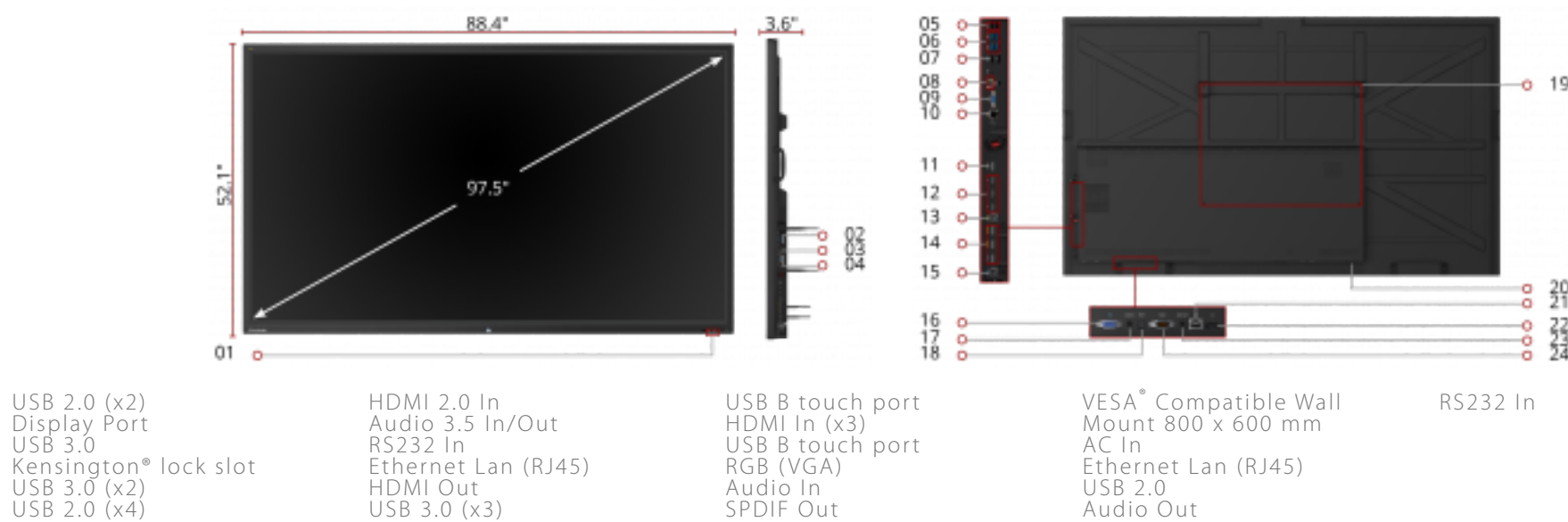
Key Features

Enhanced Touchscreen Performance | Immersive Stereo Sound | myViewBoard™ Annotation Software | ViewBoard Cast Content Sharing Software | SmartPort USB™



Product Description

Featuring 4K Ultra HD resolution and an advanced, next-generation touchscreen, the ViewSonic® ViewBoard® IFP9850 delivers incredible collaborative capabilities for 21st century boardrooms and classrooms. With integrated myViewBoard® annotation software and ViewBoard Cast streaming software, content creation and sharing has never been easier. What's more, this ENERGY STAR certified display delivers optional slot-in PC capability for more computing-intensive interactive applications. A VESA-compatible design allows for installation on a wall mount, or on an optional trolley cart for more flexible installation in classrooms and meeting rooms.



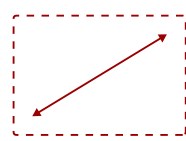
USB 2.0 (x2)
Display Port
USB 3.0
Kensington® lock slot
USB 3.0 (x2)
USB 2.0 (x4)

HDMI 2.0 In
Audio 3.5 In/Out
RS232 In
Ethernet Lan (RJ45)
HDMI Out
USB 3.0 (x3)

USB B touch port
HDMI In (x3)
USB B touch port
RGB (VGA)
Audio In
SPDIF Out

VESA® Compatible Wall Mount 800 x 600 mm
AC In
Ethernet Lan (RJ45)
USB 2.0
Audio Out

RS232 In



98"
DISPLAY

RESOLUTION

TOUCH
INTERACTIVE

Display:

Display Size (in.):	98
Viewable Area (in.):	97.5
Light Source:	LED
Resolution:	3840 x 2160
Aspect Ratio:	16:9
Static Contrast Ratio:	1,200:1
Backlight Life (Hours):	50,000
Brightness:	350 cd/m2
Response Time (Typical GTG):	8ms
Viewing Angles:	178° horizontal, 178° vertical
Panel Surface:	Anti-glare, Hard coating 7H

Networking:

Ethernet LAN:	10/100/1000 MB
---------------	----------------

Embedded Player:

OS:	Embedded ViewBoard OS
GPU:	Quintuple Core Mali G51
CPU:	ARM Cortex Dual Core A73 1.2GHz + Dual Core A53
CPU Processor Speed:	1.2GHz
Memory:	3GB
Storage:	16GB

Audio:

Internal Speakers:	10W (x2)
Subwoofer:	15W (x1)

Connector:

HDMI 2.0(3), HDMI Out(1), VGA(1), 3.5mm Audio In(1), 3.5mm Audio Out(1), SPDIF Audio Out(1), USB 3.0(3), USB 2.0(2), Slot-in PC Slot(1), USB B Touch Port(2), RS232(1), Ethernet LAN (RJ45)(1), WIFI Module Slot(1)

Power:

Voltage:	100-240 VAC
Consumption (typical):	400W
Stand-by:	<0.5W

Operating Conditions:

Temperature:	32-104° F (0 - 40° C)
Humidity (non-condensing):	10-90%

Touch:

Touch Technology:	Infrared
Touch Points:	20-Point Touch
Tip Detection:	Dual tips, 3mm and 8mm

Weight (imperial):

Net (lbs):	223.8
Gross (lbs):	306.0

Weight (metric):

Net (kg):	105.0
Gross (kg):	138.8

Dimensions (imperial) (WxHxD):

Packaging (in.):	97.8 x 58.8 x 14.8
Physical (in.):	88.4 x 52.1 x 3.6

Dimensions (metric) (WxHxD):

Packaging (mm):	2483.0 x 1493.0 x 376.0
Physical (mm):	2245.0 x 1323.0 x 91.0

Mount:

VESA Compatible:	800 x 600 mm
------------------	--------------

General:

Warranty: 3-year limited warranty on parts, labor and backlight, onsite warranty

Recycle/Disposal: Please dispose of in accordance with local, state or federal laws.

PACKAGE CONTENTS: IFP9850 display, stylus pen x 2, power cable, HDMI cable, USB cable, AV cable, remote control with batteries, Camera plate, M8 screw x 8, Quick Start Guide

Regulations: cTUVus, FCC, ENERGY STAR, Mexico Energy, CE, CB, RoHS, ErP, WEEE

UPC: 766907003581

Accessories:

Intel Unite, LB-WIFI-001, NMP660, PD-IFP-001, PD-IFP-002, PD-IFP-003, SW-071, SW-072, SW-073, SW-074, SW-075, SW-101, SW-110, VB-CAM-001, VB-EBL-001, VB-EBM-001, VB-EBS-001, VB-EBT-001, VB-EBV-001, VB-EBV-002, VB-EBW-001, VB-STND-001, VB-VIS-001, VB-WKB-001, VPC15-WP-4, VPC15-WP-6, VPC16-WP-4, VPC17-WP-6, WMK-047-2