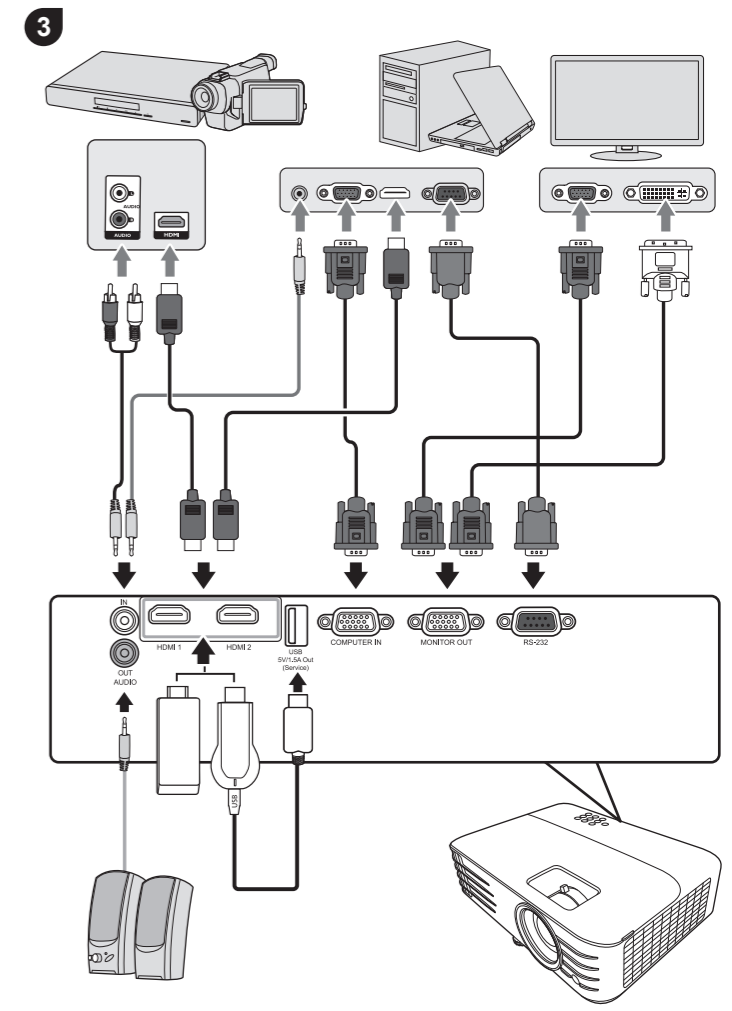
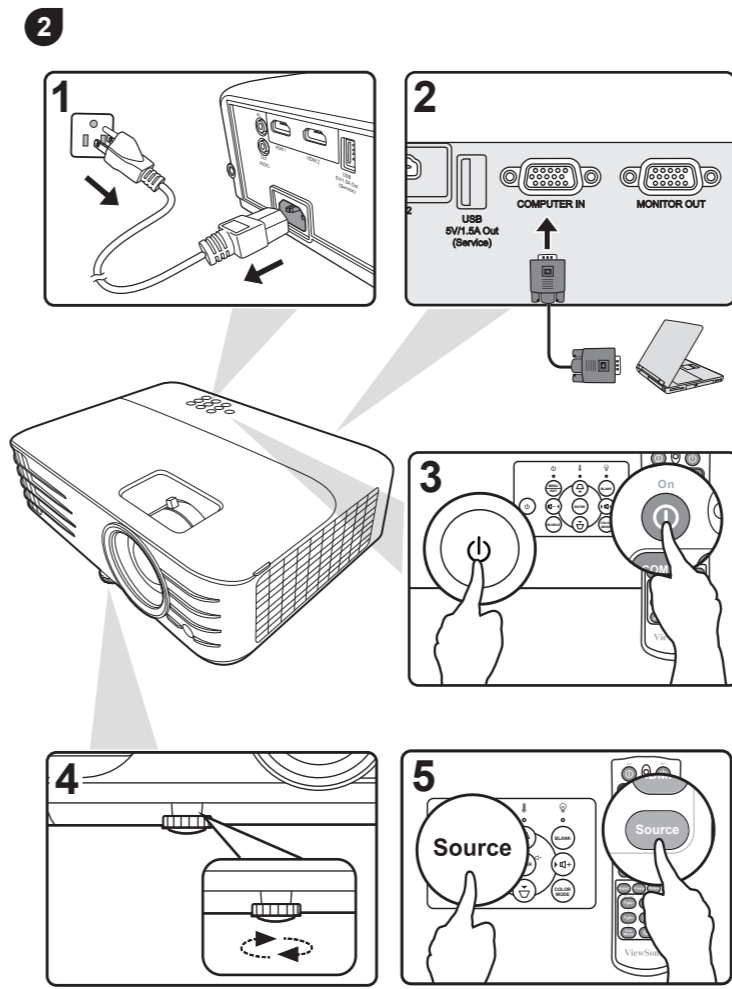
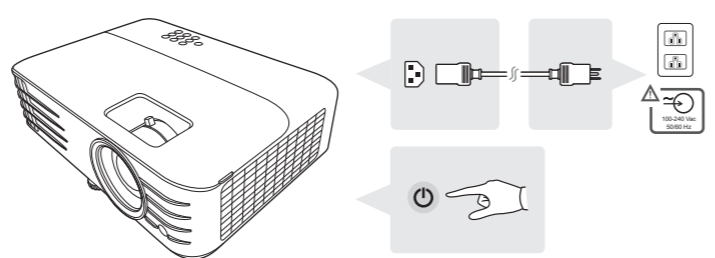
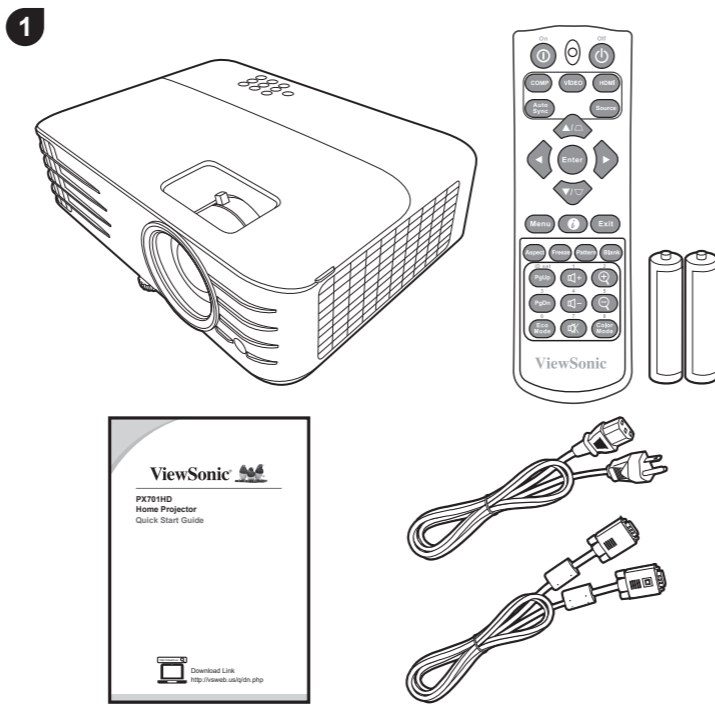




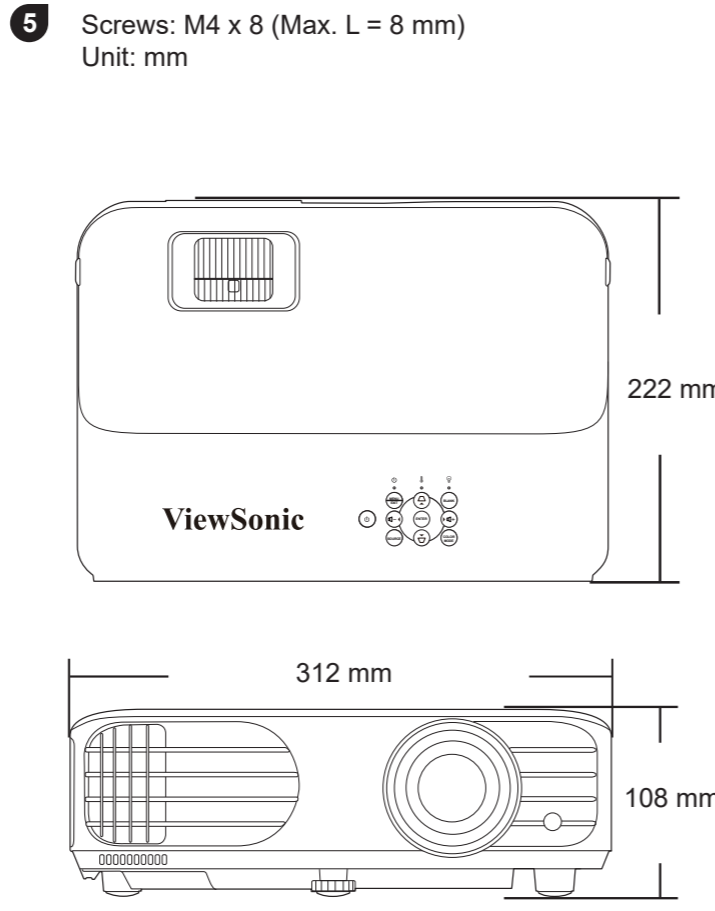
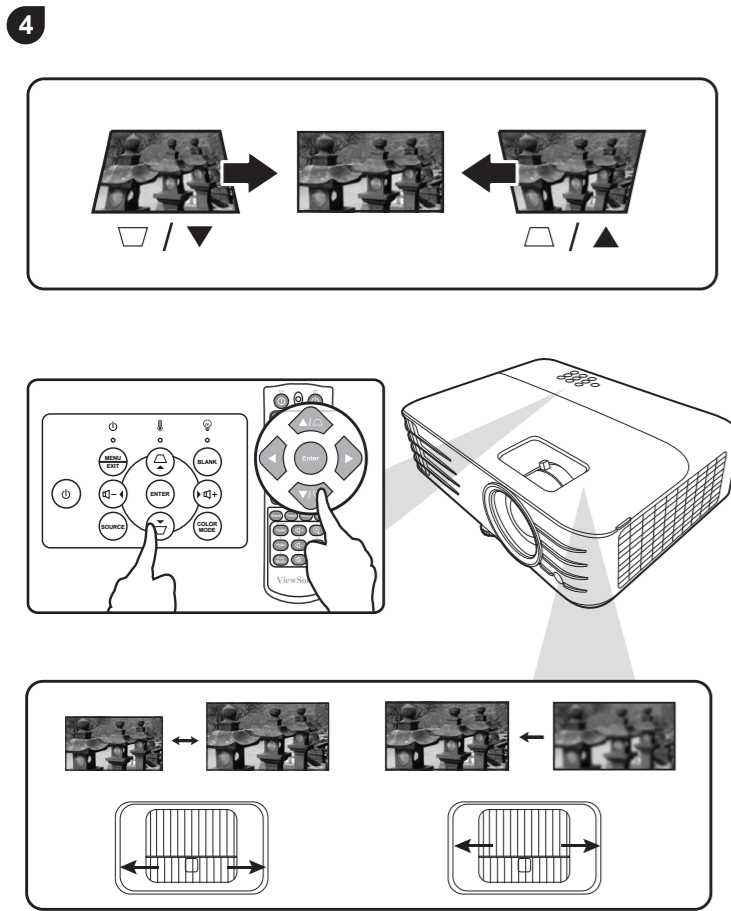
**PX701HD**  
Home Projector  
Quick Start Guide

快速安装说明  
快速入門指南  
빠른 시작 가이드  
クイックスタートガイド  
Ръководство за бърз старт  
Vodič za brzo pokretanje  
Úvodní příručka  
Aan de slag  
Pika-aloitusopas  
Guide de démarrage rapide  
Schnellstarthandbuch  
Οδηγός γρήγορης εκκίνησης  
Első lépések  
Guida introduttiva

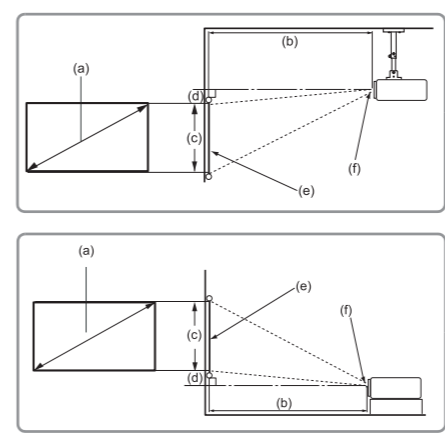
Przewodnik Szybki start  
Guia de Inicio Rápido  
Ghid de pornire rapidă  
краткое руководство по началу работы  
Vodič za brzi početak  
Priručka so stručným návodom  
Vodnik za hitri začetek  
Guia de inicio rápido  
Snabbstartsguide  
Hızlı Başlangıç Kılavuzu  
короткий посібник користувача  
Panduan Mulai Cepat  
دليل البدء السريع



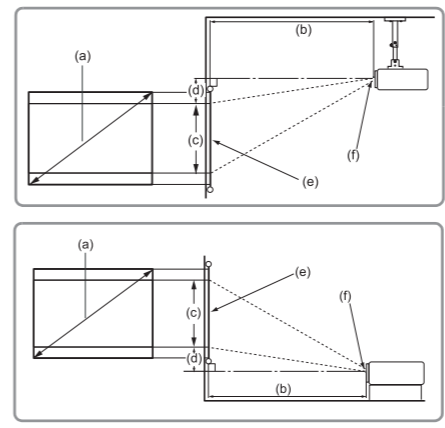
Download Link  
<http://vsweb.us/q/dn.php>



• 16:9 image on a 16:9 screen



• 16:9 image on a 4:3 screen



16:9 image on a 16:9 Screen											
(a) Screen Size	(b) Projection distance				(c) Image height		(d) Vertical offset				
	min.		max.		height		min.		max.		
inch	mm	inch	mm	inch	mm	inch	mm	inch	mm		
60	1524	79	1996	86	2195	29	747	1.5	37.4	1.5	37
70	1778	92	2328	101	2561	34	872	1.7	43.6	1.7	44
80	2032	105	2661	115	2927	39	996	2.0	49.8	2.0	50
90	2286	118	2994	130	3293	44	1121	2.2	56.0	2.2	56
100	2540	131	3326	144	3659	49	1245	2.5	62.3	2.5	62
110	2794	144	3659	158	4025	54	1370	2.7	68.5	2.7	68
120	3048	157	3992	173	4391	59	1494	2.9	74.7	2.9	75
130	3302	170	4324	187	4757	64	1619	3.2	80.9	3.2	81
140	3556	183	4657	202	5123	69	1743	3.4	87.2	3.4	87
150	3810	196	4989	216	5488	74	1868	3.7	93.4	3.7	93
160	4064	210	5322	230	5854	78	1992	3.9	99.6	3.9	100
170	4318	223	5655	245	6220	83	2117	4.2	105.8	4.2	106
180	4572	236	5987	259	6586	88	2241	4.4	112.1	4.4	112
190	4826	249	6320	274	6952	93	2366	4.7	118.3	4.7	118
200	5080	262	6653	288	7318	98	2491	4.9	124.5	4.9	125

16:9 image on a 4:3 Screen											
(a) Screen Size	(b) Projection distance				(c) Image height		(d) Vertical offset				
	min.		max.		height		min.		max.		
inch	mm	inch	mm	inch	mm	inch	mm	inch	mm		
60	1524	72	1832	79	2015	27	686	1.4	34	1.4	34
70	1778	84	2137	93	2351	32	800	1.6	40	1.6	40
80	2032	96	2443	106	2687	36	914	1.8	46	1.8	46
90	2286	108	2748	119	3023	41	1029	2.0	51	2.0	51
100	2540	120	3053	132	3358	45	1143	2.3	57	2.3	57
110	2794	132	3358	145	3694	50	1257	2.5	63	2.5	63
120	3048	144	3664	159	4030	54	1372	2.7	69	2.7	69
130	3302	156	3969	172	4366	59	1486	2.9	74	2.9	74
140	3556	168	4274	185	4702	63	1600	3.2	80	3.2	80
150	3810	180	4580	198	5038	68	1715	3.4	86	3.4	86
160	4064	192	4885	212	5374	72	1829	3.6	91	3.6	91
170	4318	204	5190	225	5709	77	1943	3.8	97	3.8	97
180	4572	216	5496	238	6045	81	2057	4.1	103	4.1	103
190	4826	228	5801	251	6381	86	2172	4.3	109	4.3	109
200	5080	240	6106	264	6717	90	2286	4.5	114	4.5	114

There is 3% tolerance among these numbers due to optical component variations. It is recommended that if you intend to permanently install the projector, you should physically test the projection size and distance using the actual projector in situ before you permanently install it, so as to make allowance for this projector's optical characteristics. This will help you determine the exact mounting position so that it best suits your installation location.

