

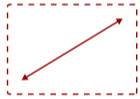
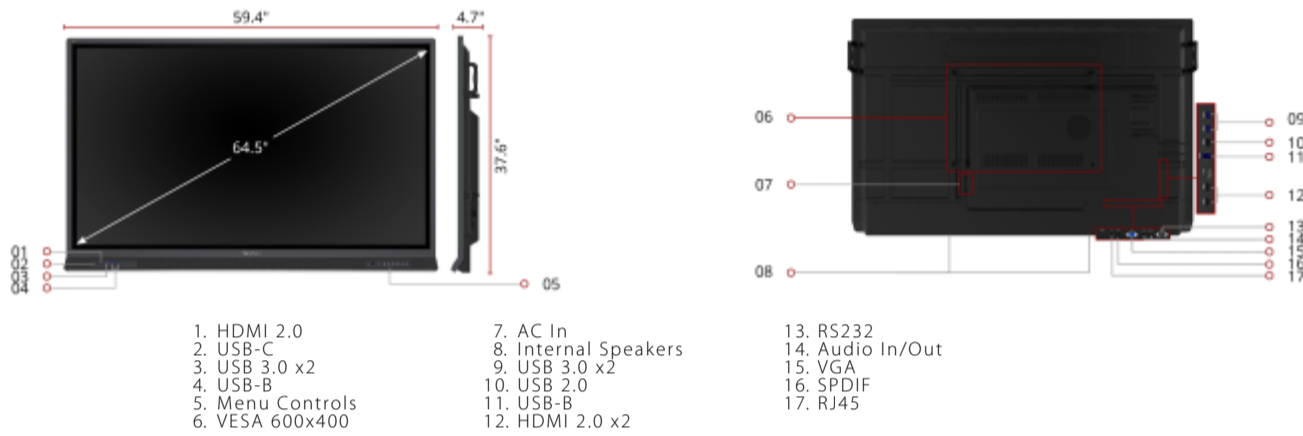
## Key Features

Intuitive and Ultra-Responsive Touchscreen | Front-Facing Soundbar |  
Built-in Beamforming Microphone | USB-C with Power Delivery |  
myViewBoard Manager



## Product Description

The ViewSonic® ViewBoard® IFP6552 is an 65" interactive flat panel display with next-generation whiteboard technologies for immersive learning in any classroom environment. With a high-accuracy touchscreen and intelligent palm recognition technology, the IFP6552 delivers an intuitive digital whiteboard experience for everyone from the youngest of students to the most experienced teachers. Featuring 4K Ultra HD resolution, a powerful 45W stereo soundbar and microphone array, this ViewBoard display delivers optimal images and sound for everyone in the classroom as well those learning remotely. With the integrated myViewBoard™ software ecosystem, this ViewBoard display enables teachers to access legacy files from the cloud, as well as build new interactive lessons. IT directors will be confident managing files from a secure cloud network, while curriculum directors will be pleased knowing that this software easily integrates with online resources.



65"  
**DISPLAY**

**RESOLUTION**

**TOUCH INTERACTIVE**

### Contact Sales

- call: 888.881.8781
- email: salesinfo@viewsonic.com
- visit: viewsonic.com

**Display:**

Display Type:	LCD
Display Size (in.):	65
Viewable Area (in.):	64.5
Light Source:	LED
Resolution:	3840 x 2160
Refresh Rate (Hz):	60
Static Contrast Ratio:	1,200:1
Dynamic Contrast Ratio:	4,000:1
Backlight Life (Hours):	50,000
Brightness:	350 cd/m2
Response Time (Typical GTG):	8ms
Viewing Angles:	178° horizontal, 178° vertical
Panel Surface:	Anti-glare 7H tempered glass

**Networking:**

Ethernet LAN:	10/100/1000 Mbps
Wifi:	Optional LB-WIFI-001 adapter, 802.11AC + Bluetooth 4.0

**Embedded Player:**

OS:	ViewBoard OS based on Android 9.0
GPU:	ARM Mali-G52
CPU:	ARM Quad Core A73
CPU Processor Speed:	1.8GHz
Memory:	4GB LPDDR4
Storage:	32GB eMMC

**Audio:**

Microphone:	Beamforming array x 8, noise cancelation
Internal Speakers:	15W (x2)
Subwoofer:	15W (x1)

**Connector:**

HDMI 2.0 In(3), VGA(1), SPDIF(1), USB 3.0(4), USB 2.0 Type B(2), USB 3.1 Type C(1), OPS PC Slot(1), RS232(1), Ethernet LAN (RJ45)(1)

**Power:**

Voltage:	100-240 VAC
Stand-by:	<0.5W

**Operating Conditions:**

Temperature:	32-104° F (0 - 40° C)
Humidity (non-condensing):	10-80%

**Touch:**

Touch Technology:	Infrared
Touch Points:	Windows: 33-Point Touch, Android: 20-Point Touch
Tip Detection:	Dual tips, 2mm and 8mm
Other:	Palm rejection, objection awareness
Latency:	4ms

**Weight (imperial):**

Net (lbs):	96.8
Gross (lbs):	122.1

**Weight (metric):**

Net (kg):	43.9
Gross (kg):	55.4

**Dimensions (imperial) (WxHxD):**

Packaging (in.):	65.4 x 41.1 x 9.7
Physical (in.):	59.4 x 37.6 x 4.7

**Dimensions (metric) (WxHxD):**

Packaging (mm):	1660.0 x 1045.0 x 245.0
Physical (mm):	1509.1 x 955.4 x 119.1

**Mount:**

VESA Compatible:	600 x 400 mm
Screw Size:	M8

**General:**

Warranty: 3-year limited warranty on parts, labor and backlight, onsite warranty

Recycle/Disposal: Please dispose of in accordance with local, state or federal laws.

PACKAGE CONTENTS: IFP6552 display, stylus pen x 2, power cable, HDMI cable, USB cable, AV cable, remote control with batteries, Camera plate, M8 screw x 8, Quick Start Guide

Regulations: cTUVus, FCC, ENERGY STAR, EPEAT Silver, Mexico Energy, CE, CB, RoHS, ErP, WEEE

UPC: 766907009316

**Accessories:**

LB-WIFI-001, VB-BLF-002, VB-BLM-002, VB-BLW-002, VB-BOW-001, VB-CAM-001, VB-EBM-001, VB-EBT-001, VB-EBW-001, VB-STND-001, VB-STND-002, VB-STND-003, VB-STND-004, VPC12-WPO-6, VPC25-W53-01, VPC25-W53-02, WMK-047-2