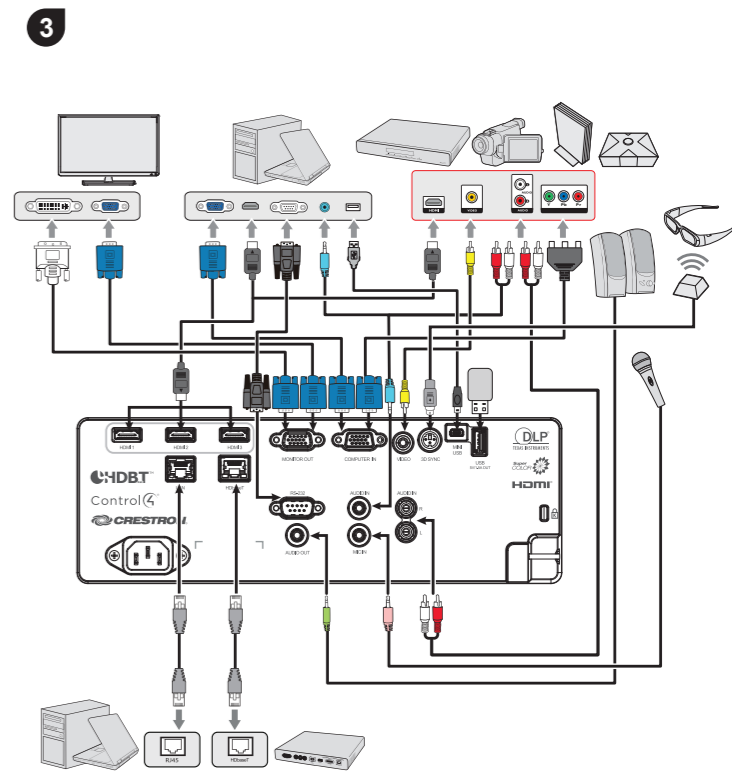
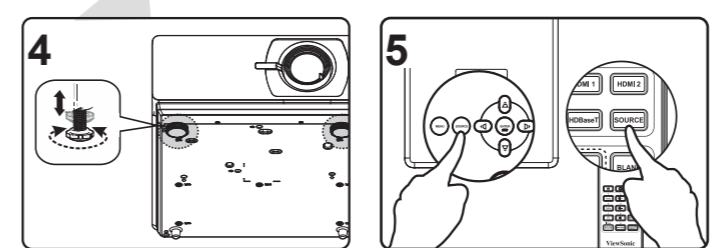
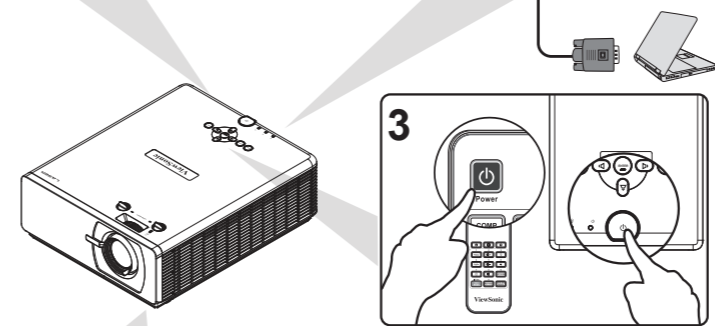
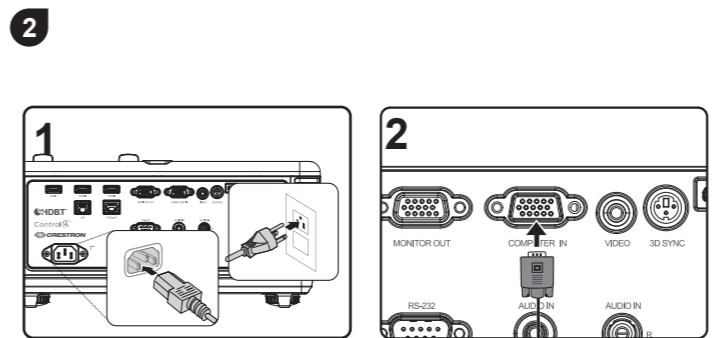
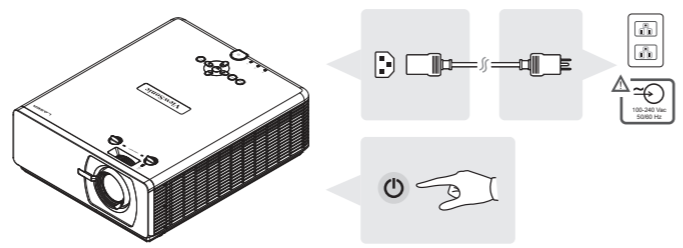
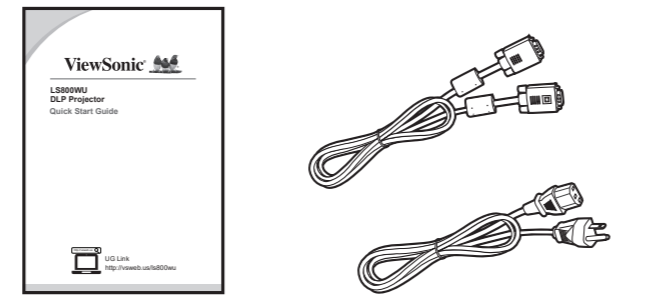
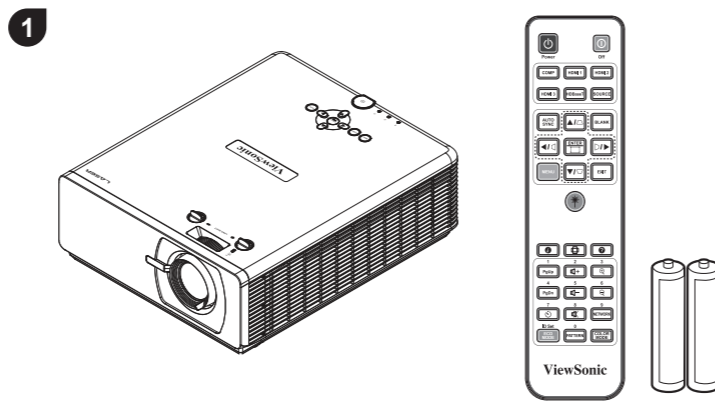




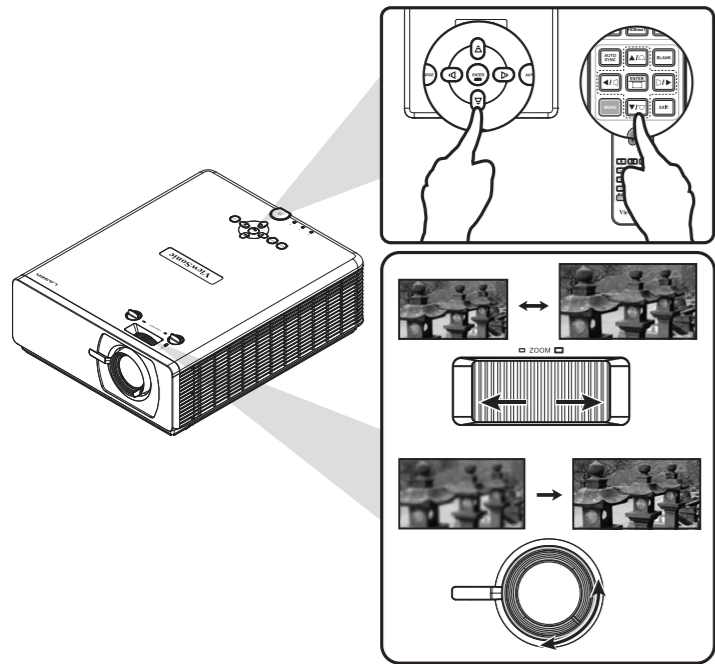
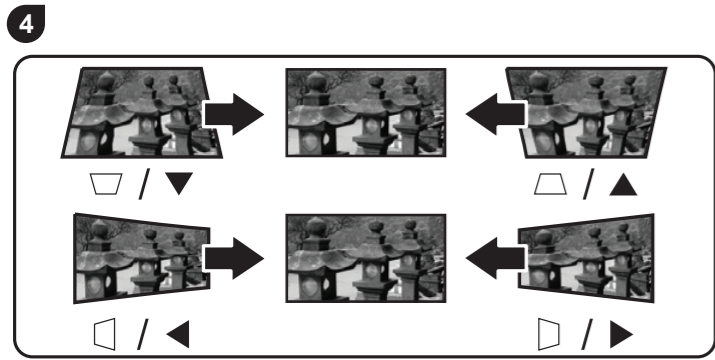
**LS900WU
DLP Projector
Quick Start Guide**

快速安装说明
快速入門指南
빠른 시작 가이드
クイックスタートガイド
Ръководство за бърз старт
Vodič za brzo pokretanje
Úvodní příručka
Aan de slag
Pika-aloitusopas
Guide de démarrage rapide
Schnellstarthandbuch
Οδηγός γρήγορης εκκίνησης
Első lépések
Guida introduttiva

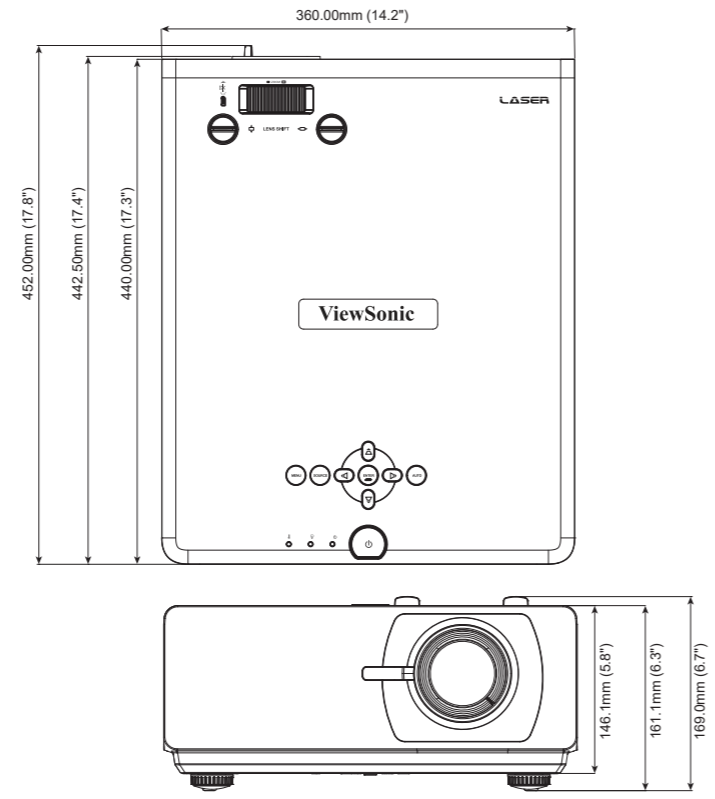
Przewodnik Szybki start
Guia de Inicio Rápido
Ghid de pornire rapidă
краткое руководство по началу работы
Vodič za brzi početak
Priručka so stručným návodom
Vodnik za hitri začetek
Guia de inicio rápido
Snabbstartsguide
Hızlı Başlangıç Kılavuzu
короткий посібник користувача
Panduan Mulai Cepat
دليل البدء السريع



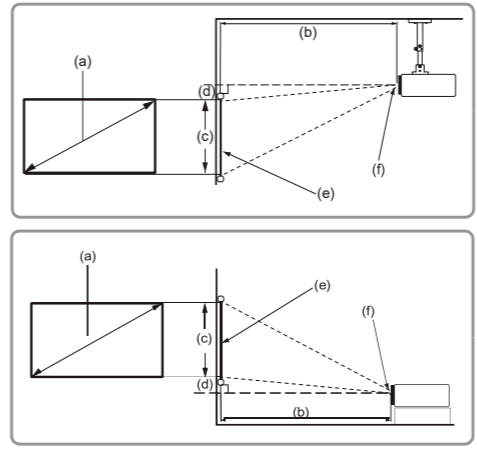
<http://vsweb.us>
UG Link
<http://vsweb.us/q/dn.php>



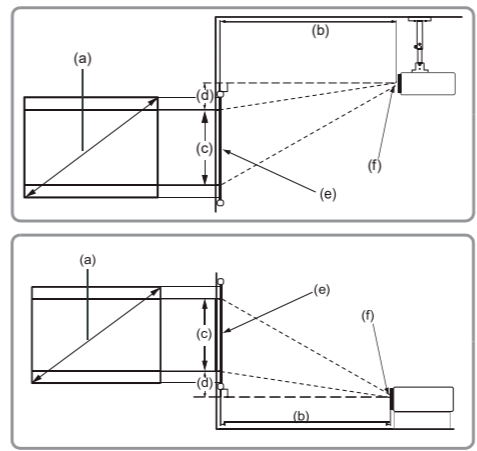
5 Screws: M4 x 8 (Max. L = 8 mm)
Unit: mm
360 mm (W) x 169 mm (H) x 452 mm (D)



• 16:10 image on a 16:10 screen



• 16:10 image on a 4:3 screen



(e): Screen (f): Center of lens

(a) Screen Size	16:10 image on a 16:10 Screen										
	(b) Projection distance				(c) Image height		(d) Vertical offset				
	min.		max.		min.		max.				
50	1270	49	1239	81	2046	26	673	4.0	101	4.0	101
60	1524	59	1486	97	2455	32	808	4.8	121	4.8	121
70	1778	68	1734	113	2865	37	942	5.6	141	5.6	141
80	2032	78	1982	129	3274	42	1077	6.4	162	6.4	162
90	2286	88	2229	145	3683	48	1212	7.2	182	7.2	182
100	2540	98	2477	161	4092	53	1346	7.9	202	7.9	202
110	2794	107	2725	177	4502	58	1481	8.7	222	8.7	222
120	3048	117	2972	193	4911	64	1615	9.5	242	9.5	242
130	3302	127	3220	209	5320	69	1750	10.3	263	10.3	263
140	3556	137	3468	226	5729	74	1885	11.1	283	11.1	283
150	3810	146	3716	242	6139	79	2019	11.9	303	11.9	303
170	4318	166	4211	274	6957	90	2289	13.5	343	13.5	343
190	4826	185	4706	306	7776	101	2558	15.1	384	15.1	384

(a) Screen Size	16:10 image on a 4:3 Screen										
	(b) Projection distance				(c) Image height		(d) Vertical offset				
	min.		max.		min.		max.				
54	1372	50	1262	82	2085	27	686	4.1	103	4.1	103
65	1651	60	1519	99	2510	33	826	4.9	124	4.9	124
76	1930	70	1776	116	2934	38	965	5.7	145	5.7	145
87	2210	80	2033	132	3359	44	1105	6.5	166	6.5	166
98	2489	90	2290	149	3784	49	1245	7.4	187	7.4	187
109	2769	100	2547	166	4208	55	1384	8.2	208	8.2	208
120	3048	110	2804	182	4633	60	1524	9.0	229	9.0	229
131	3327	120	3061	199	5058	66	1664	9.8	250	9.8	250
142	3607	131	3318	216	5482	71	1803	10.7	271	10.7	271
153	3886	141	3575	233	5907	77	1943	11.5	291	11.5	291
163	4140	150	3809	248	6293	82	2070	12.2	311	12.2	311
185	4699	170	4323	281	7142	93	2350	13.9	352	13.9	352
207	5258	190	4837	315	7992	104	2629	15.5	394	15.5	394

There is 3% tolerance among these numbers due to optical component variations. It is recommended that if you intend to permanently install the projector, you should physically test the projection size and distance using the actual projector in situ before you permanently install it, so as to make allowance for this projector's optical characteristics. This will help you determine the exact mounting position so that it best suits your installation location.

