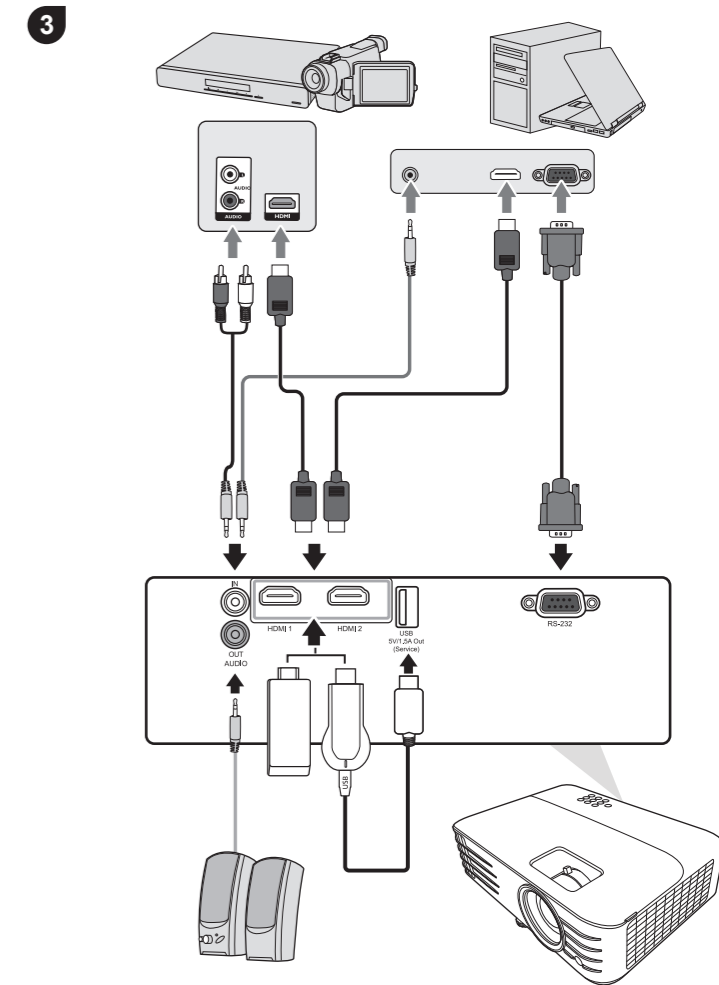
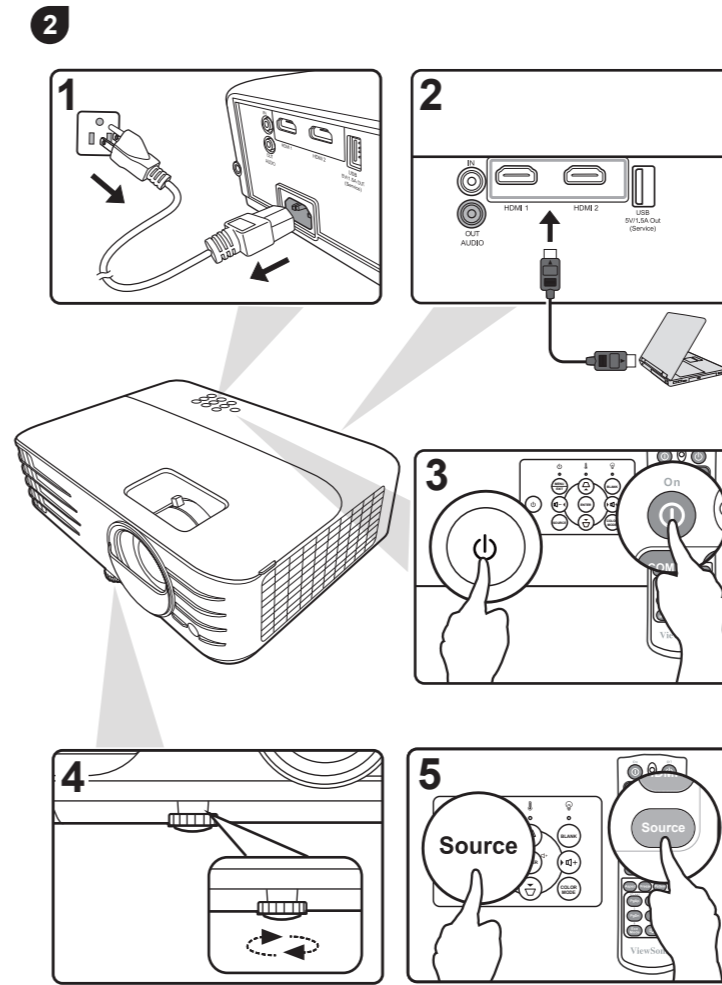
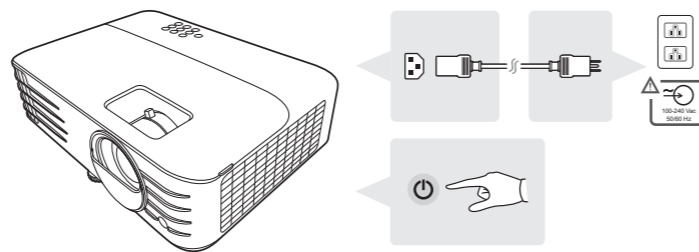
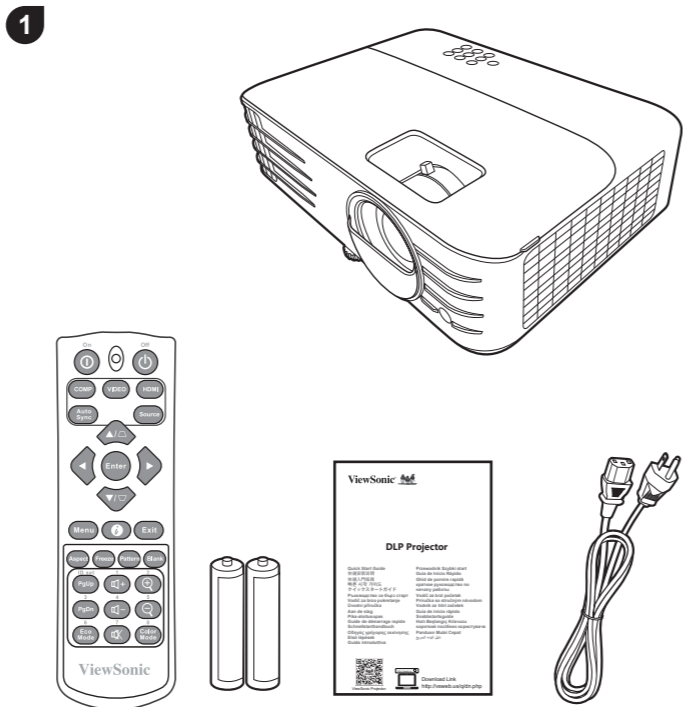


PX703HD PX703HDH

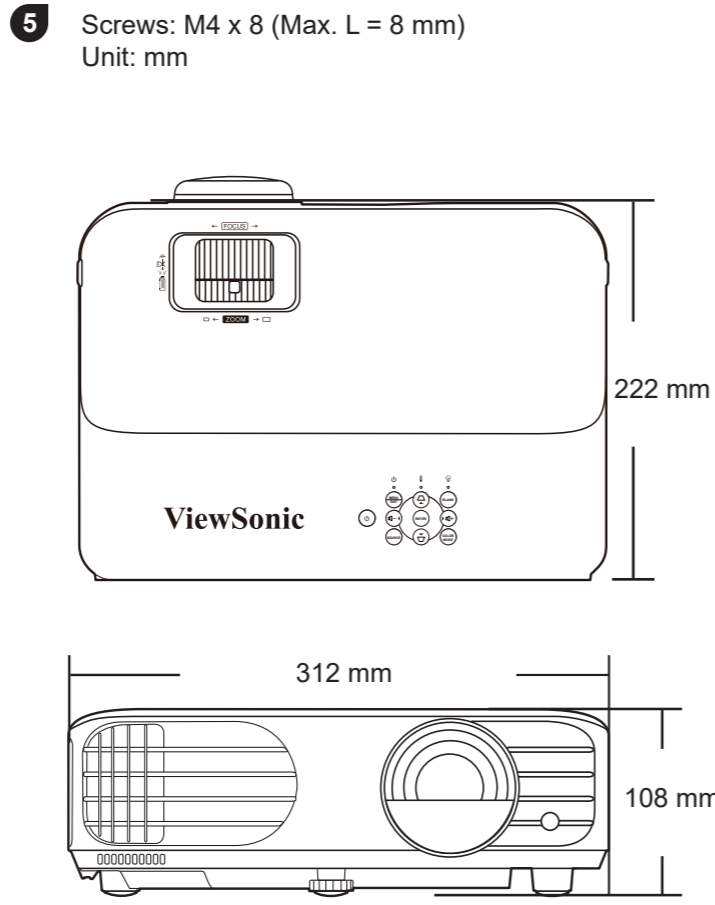
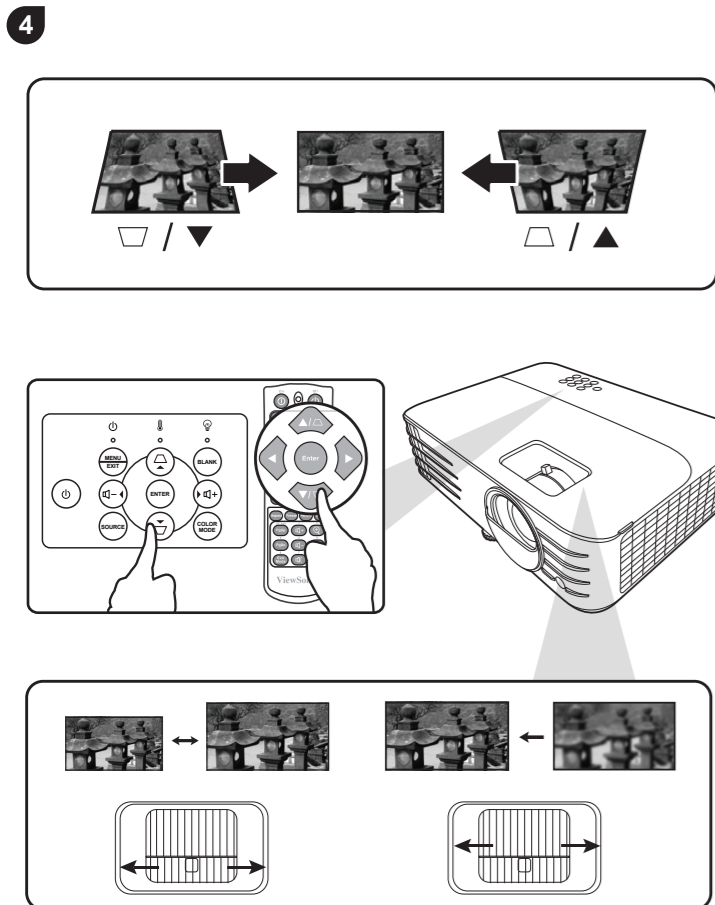
DLP Projector

Quick Start Guide
快速安装说明
快速入門指南
빠른 시작 가이드
クイックスタートガイド
Ръководство за бърз старт
Vodič za brzo pokretanje
Úvodní příručka
Aan de slag
Pika-aloitusopas
Guide de démarrage rapide
Schnellstarthandbuch
Οδηγός γρήγορης εκκίνησης
Első lépések
Guida introduttiva

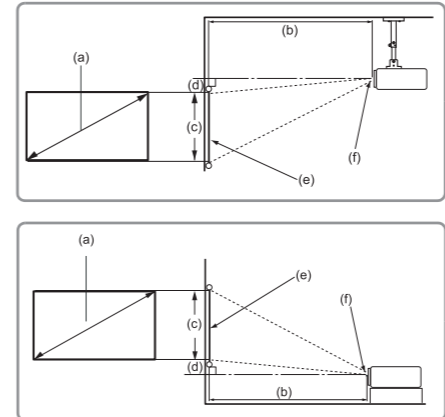
Przewodnik Szybki start
Guía de Inicio Rápido
Ghid de pornire rapidă
краткое руководство по началу работы
Vodič za brzi početak
Priručka so stručným návodom
Vodnik za hitri začetek
Guía de inicio rápido
Snabbstartsguide
Hızlı Başlangıç Kılavuzu
короткий посібник користувача
Panduan Mulai Cepat
دليل البدء السريع



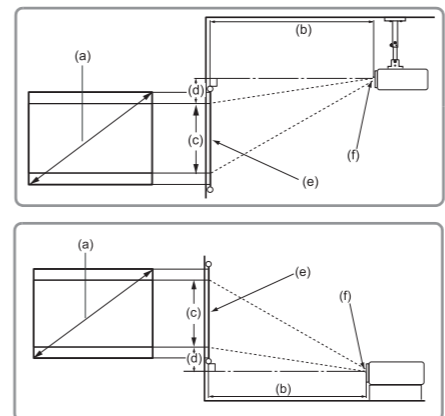
HDMI



• 16:9 image on a 16:9 screen



• 16:9 image on a 4:3 screen



16:9 image on a 16:9 Screen											
(a) Screen Size	(b) Projection distance				(c) Image height		(d) Vertical offset				
	min.		max.		height		min.		max.		
inch	mm	inch	mm	inch	mm	inch	mm	inch	mm	inch	mm
60	1524	59	1491	76	1938	29	747	1.5	37.4	1.5	37
70	1778	68	1739	89	2261	34	872	1.7	43.6	1.7	44
80	2032	78	1987	102	2584	39	996	2.0	49.8	2.0	50
90	2286	88	2236	114	2907	44	1121	2.2	56.0	2.2	56
100	2540	98	2484	127	3229	49	1245	2.5	62.3	2.5	62
110	2794	108	2733	140	3552	54	1370	2.7	68.5	2.7	68
120	3048	117	2981	153	3875	59	1494	2.9	74.7	2.9	75
130	3302	127	3229	165	4198	64	1619	3.2	80.9	3.2	81
140	3556	137	3478	178	4521	69	1743	3.4	87.2	3.4	87
150	3810	147	3726	191	4844	74	1868	3.7	93.4	3.7	93
160	4064	156	3975	203	5167	78	1992	3.9	99.6	3.9	100
170	4318	166	4223	216	5490	83	2117	4.2	105.8	4.2	106
180	4572	176	4472	229	5813	88	2241	4.4	112.1	4.4	112
190	4826	186	4720	242	6136	93	2366	4.7	118.3	4.7	118
200	5080	196	4968	254	6459	98	2491	4.9	124.5	4.9	125

16:9 image on a 4:3 Screen											
(a) Screen Size	(b) Projection distance				(c) Image height		(d) Vertical offset				
	min.		max.		height		min.		max.		
inch	mm	inch	mm	inch	mm	inch	mm	inch	mm	inch	mm
60	1524	54	1368	70	1779	27	686	1.4	34	1.4	34
70	1778	63	1596	82	2075	32	800	1.6	40	1.6	40
80	2032	72	1824	93	2371	36	914	1.8	46	1.8	46
90	2286	81	2052	105	2668	41	1029	2.0	51	2.0	51
100	2540	90	2280	117	2964	45	1143	2.3	57	2.3	57
110	2794	99	2508	128	3261	50	1257	2.5	63	2.5	63
120	3048	108	2736	140	3557	54	1372	2.7	69	2.7	69
130	3302	117	2964	152	3854	59	1486	2.9	74	2.9	74
140	3556	126	3192	163	4150	63	1600	3.2	80	3.2	80
150	3810	135	3420	175	4446	68	1715	3.4	86	3.4	86
160	4064	144	3648	187	4743	72	1829	3.6	91	3.6	91
170	4318	153	3876	198	5039	77	1943	3.8	97	3.8	97
180	4572	162	4104	210	5336	81	2057	4.1	103	4.1	103
190	4826	171	4332	222	5632	86	2172	4.3	109	4.3	109
200	5080	180	4560	233	5929	90	2286	4.5	114	4.5	114

There is 3% tolerance among these numbers due to optical component variations. It is recommended that if you intend to permanently install the projector, you should physically test the projection size and distance using the actual projector in situ before you permanently install it, so as to make allowance for this projector's optical characteristics. This will help you determine the exact mounting position so that it best suits your installation location.

