



VB-STND-004
 Motorized Fixed Cart
 Quick Setup Guide
 Guide rapide début
 Guía de configuración rápida
 Konfigurationskurzanleitung

This device complies with part 15 of FCC Rules. Operation is subject to the following two conditions:
 (1) This device may not cause harmful interference, and
 (2) This device must accept any interference received, including interference that may cause undesired operation.

Industry Canada Statement
 CAN ICES-3 (B)/NMB-3(B)

CE Conformity for European Countries

The device complies with the relevant section of the EMC Directive 2014/30/EU, Low Voltage Directive 2014/35/EC, Eco-Design Directive 2009/125/EC, RoHS Directive (RED) 2011/65/EU

Following information is only for EU-member states:

The mark shown to the right is in compliance with the Waste Electrical and Electronic Equipment Directive 2012/19/EU (WEEE). The mark indicates the requirement NOT to dispose the equipment as unsorted municipal waste, but use the return and collection system according to local law.

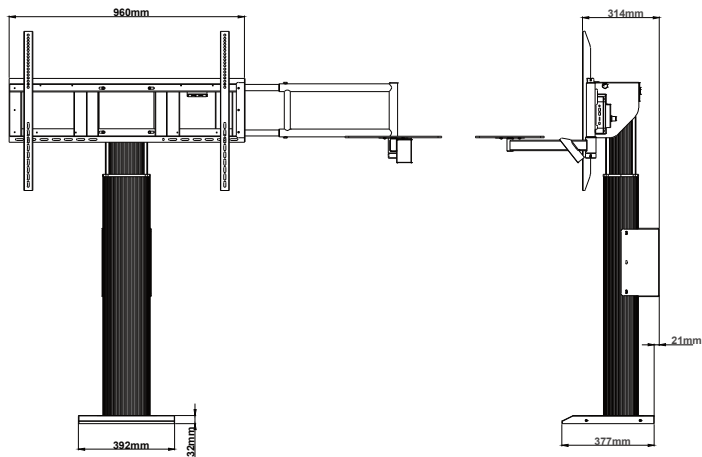


CAUTION

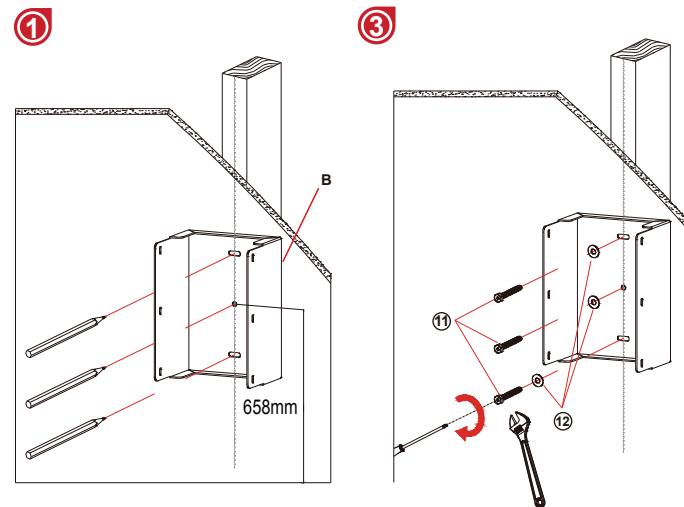
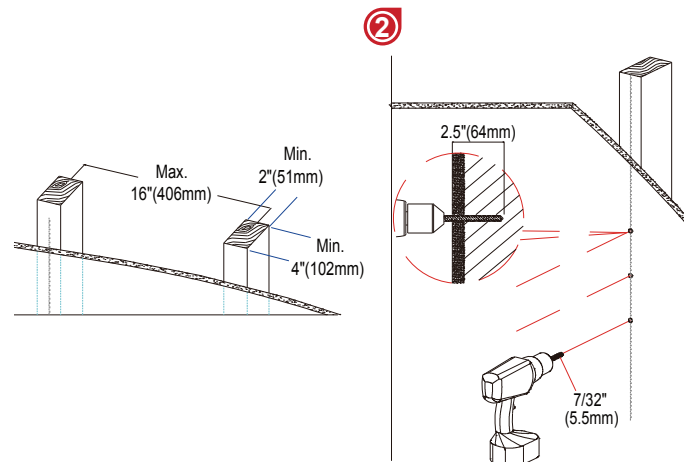
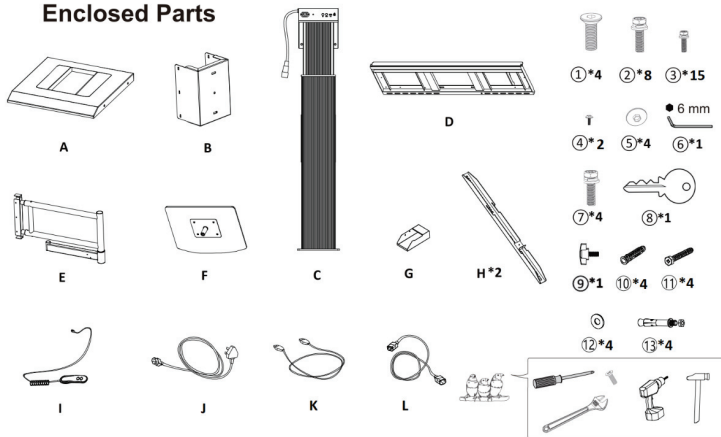
This Cart for use only with specific ViewSonic Commercial Touch Display.
 See apparatus instructions. Use with other models is capable of resulting in instability causing possible injury.

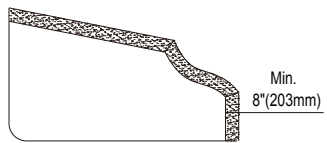
Max. weight loading is 100kg
 Duty cycle : please take rest for 18minutes for every 2 minutes continuous operation of the lift/ tilt mechanism.

Physical Dimensions

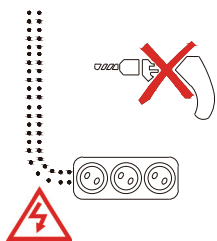
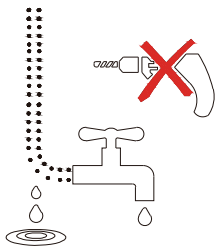


Enclosed Parts

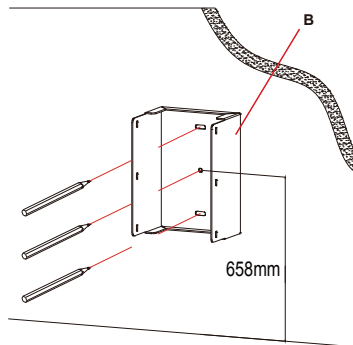




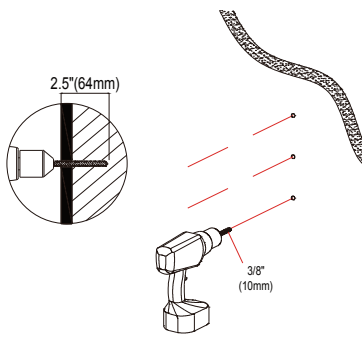
Min.
8" (203mm)



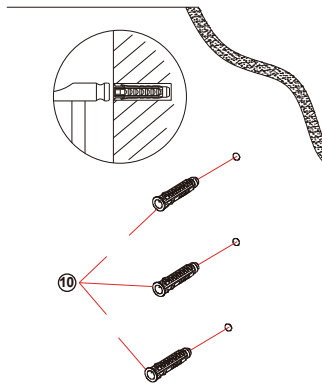
①



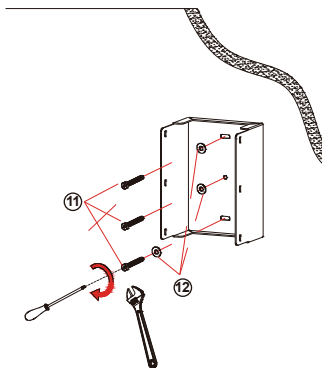
②



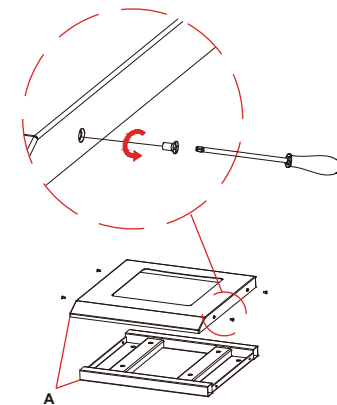
③



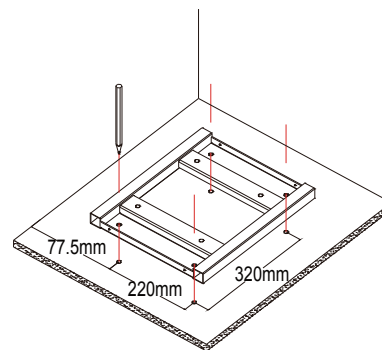
④



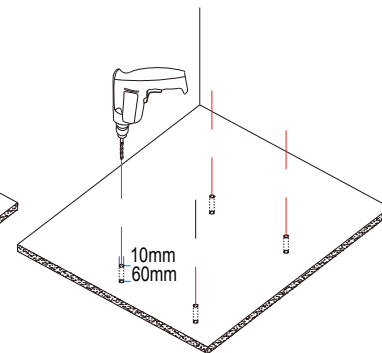
①



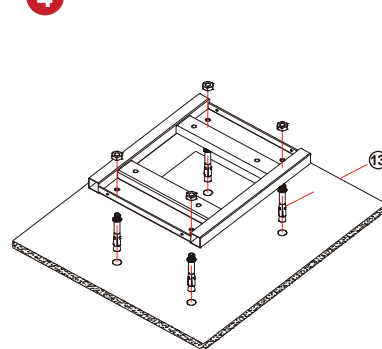
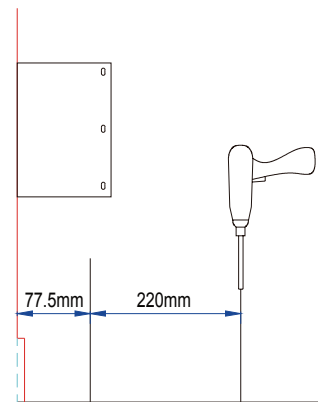
②



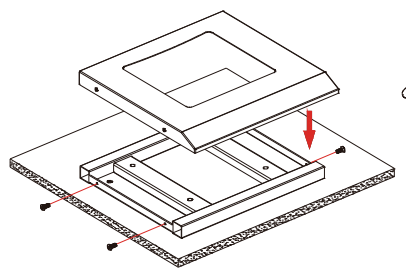
③



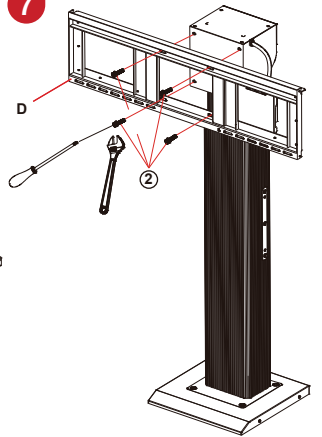
④



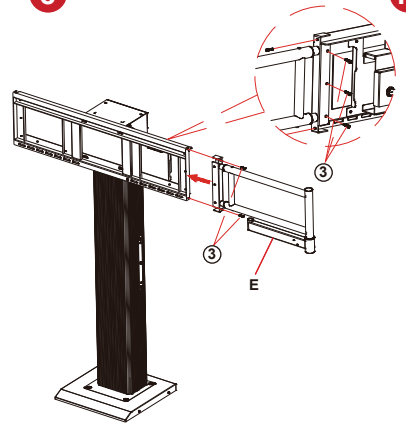
5



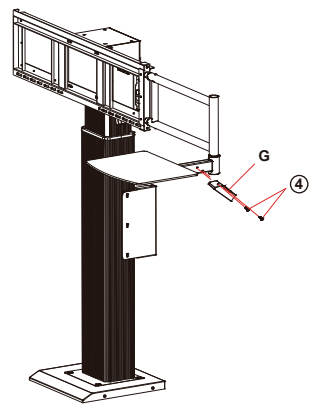
7



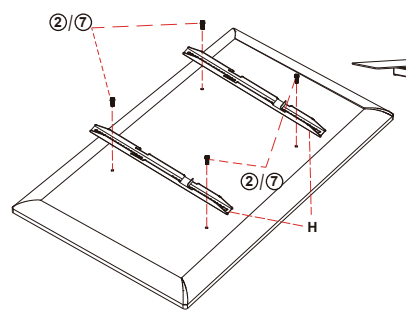
8



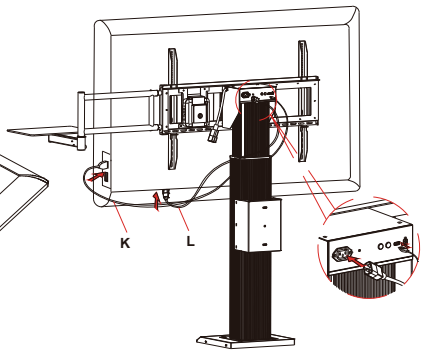
10



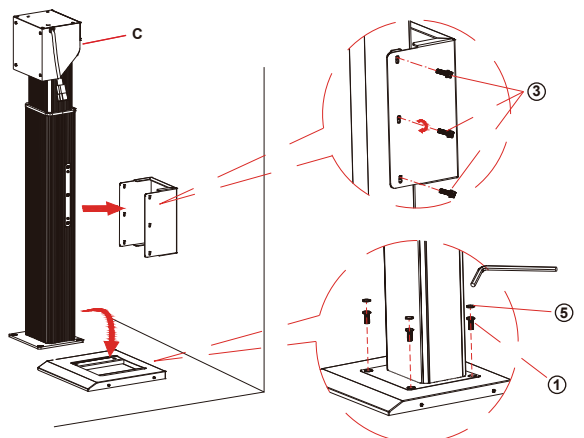
12



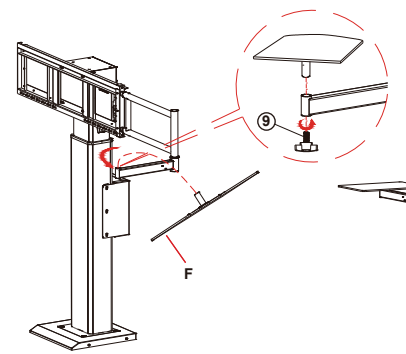
14



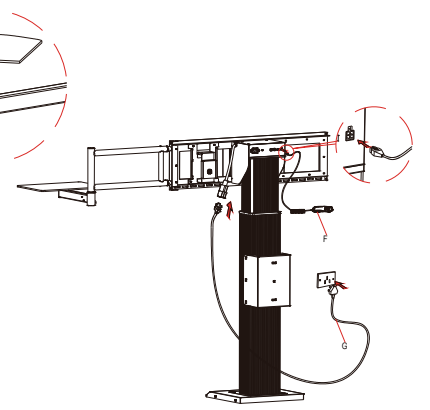
6



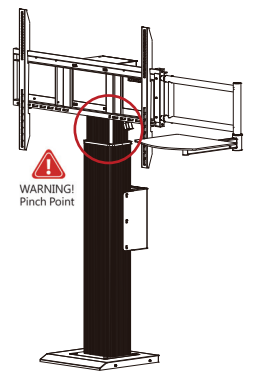
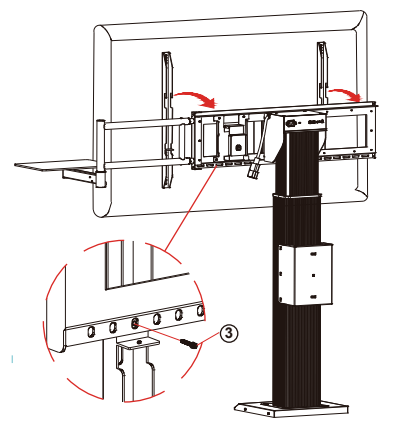
9

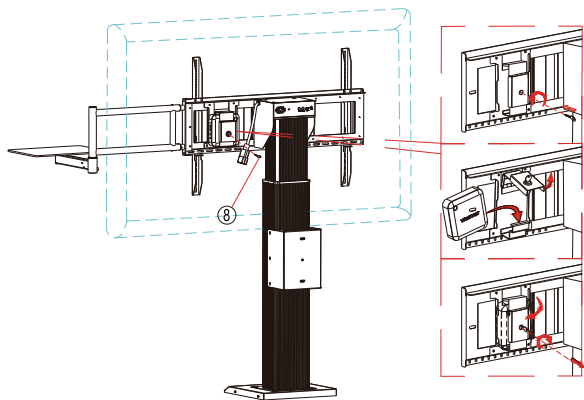


11



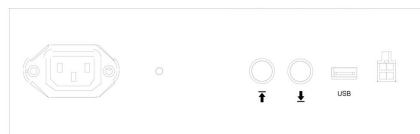
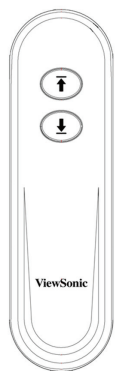
13



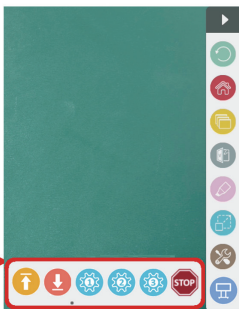
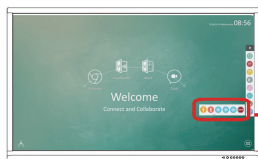


Specifications

Model	VB-STND-004
Model No.	V517475
Height adjust range	560 mm 22.05 in
Wall mount pattern	800x600mm max.
Loading	86" max. 100 kg max. 220.46 lb max.
Input voltage	AC-in 100~240V 50/60Hz,1.0A
Control	Physical button control, control pad (UP/DOWN)
Physical dimensions	960 x 1182 x 377 mm 37.80 x 46.54 x 14.84 in
Net weight	44.3 kg 97.66 lb
Operation Conditions	Temperature: 32°F to 104°F (0°C to 40°C) Humidity: 20% ~ 80% non-condensing Altitude: ≤ 2000M
Storage Conditions	Temperature: -4°F to 140°F (-20°C to 60°C) Humidity: 10% ~ 90% non-condensing Altitude: ≤ 2000M



- ↑ LIFT Up
- ↓ LIFT Down
- ⚙ Memory Setting(1~3)
- ⏹ Stop



<http://www.viewsonic.com/support/>



中国
<http://www.viewsonic.com.cn>
电话: 4008 988 588

香港
<http://www.hk.viewsonic.com>
電話: 852 3102 2900

澳門
<http://www.hk.viewsonic.com>
電話: 853 2870 0303

台灣
<http://www.viewsonic.com.tw>
電話: 0800 061 198

韓國
<http://ap.viewsonic.com/kr/>
Phone: 080 333 2131

Singapore/Malaysia/Thailand
<http://www.viewsonic.com.sg>
Phone: 65 6461 6044

India
<http://www.in.viewsonic.com>
Phone: 1800 268 0101

United States
<http://www.viewsonic.com>
Phone: 1-800-688-6688

Canada
<http://www.viewsonic.com>
Phone: 1-866-463-4775
(Toll-Free)
1-424-233-2533 (Toll)

Latin America
<http://www.viewsonic.com/la/>
Phone: 1-866-463-4775
(Toll-Free)
1-424-233-2533 (Toll)

Europe
<http://www.viewsoniceurope.com>

Australia/New Zealand
<http://www.viewsonic.com.au>
Phone: 1800 880 818 (AUS)
0800 008 822 (NZ)

South Africa
<http://ap.viewsonic.com/za/>

Chile/Mexico/Peru/Argentina
<http://www.viewsonic.com/la/>
<http://www.viewsonic.com/la/soporte/servicio-tecnico>

Puerto Rico & Virgin Islands
<http://www.viewsonic.com>
Phone: 1-800-688-6688
(English)

<http://www.viewsonic.com/la/soporte/servicio-tecnico>
(Español)