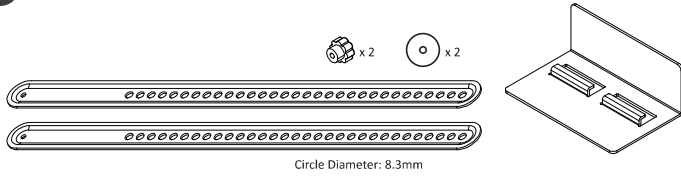
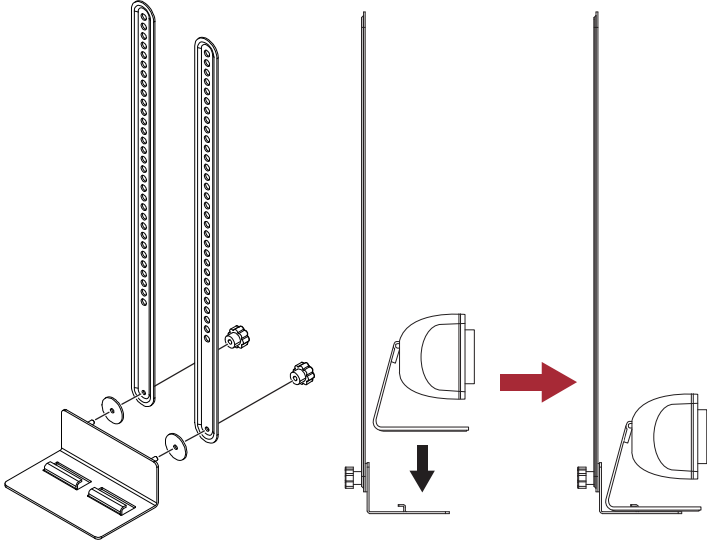


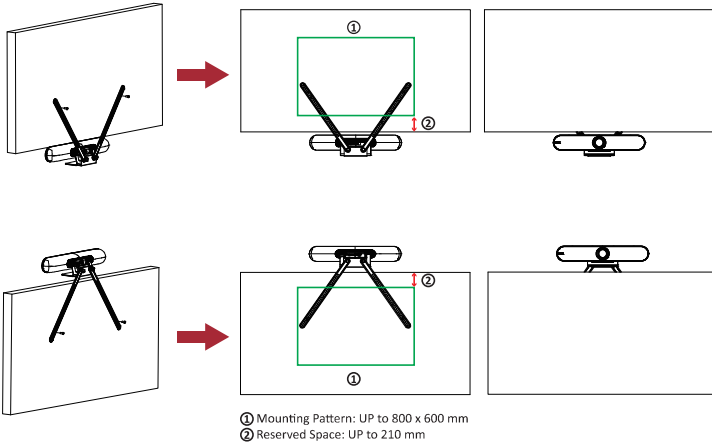
VB-WMK-002
Wall Mount
Quick Start Guide

1 Contents



2 Assemble



VB-WMK-002**Wall Mount****Quick Start Guide****3 Installation**

Asia Pacific & Africa		Americas	
Australia	www.viewsonic.com/au/	United States	www.viewsonic.com/us 1-800-888-6688
China (China)	www.viewsonic.com.cn 4008 998 188	Latin America	www.viewsonic.com/la
Hong Kong (English)	www.viewsonic.com/hk-en/	Canada	www.viewsonic.com/us 1-866-463-4775
Indonesia	www.viewsonic.com/id/	Europe	www.viewsonic.com/eu/ +49 0821 45067383
日本 (Japan)	www.viewsonic.com/jp/	Germany	www.viewsonic.com/de/
Malaysia	www.viewsonic.com/my/	France	www.viewsonic.com/fr/
Myanmar	www.viewsonic.com/mm/	Turkiye	www.viewsonic.com/tr/
New Zealand	www.viewsonic.com/nz/	United Kingdom	www.viewsonic.com/uk/
Philippines	www.viewsonic.com/ph/	India	www.viewsonic.com/in/
臺灣 (Taiwan)	www.viewsonic.com/tw/	South Africa & Mauritius	www.viewsonic.com/za/
Việt Nam	www.viewsonic.com/vn/	Spain	www.viewsonic.com/es/
		Ukraine	www.viewsonic.com/ua/